

Fanless Embedded Box Computer

KMDA-2601

Aluminum Alloy Chassis, Intel® Braswell N3000 CPU, 2*LAN, 6*USB3.0, 4*COM, 8bit Isolate DIO

KMDA-2601

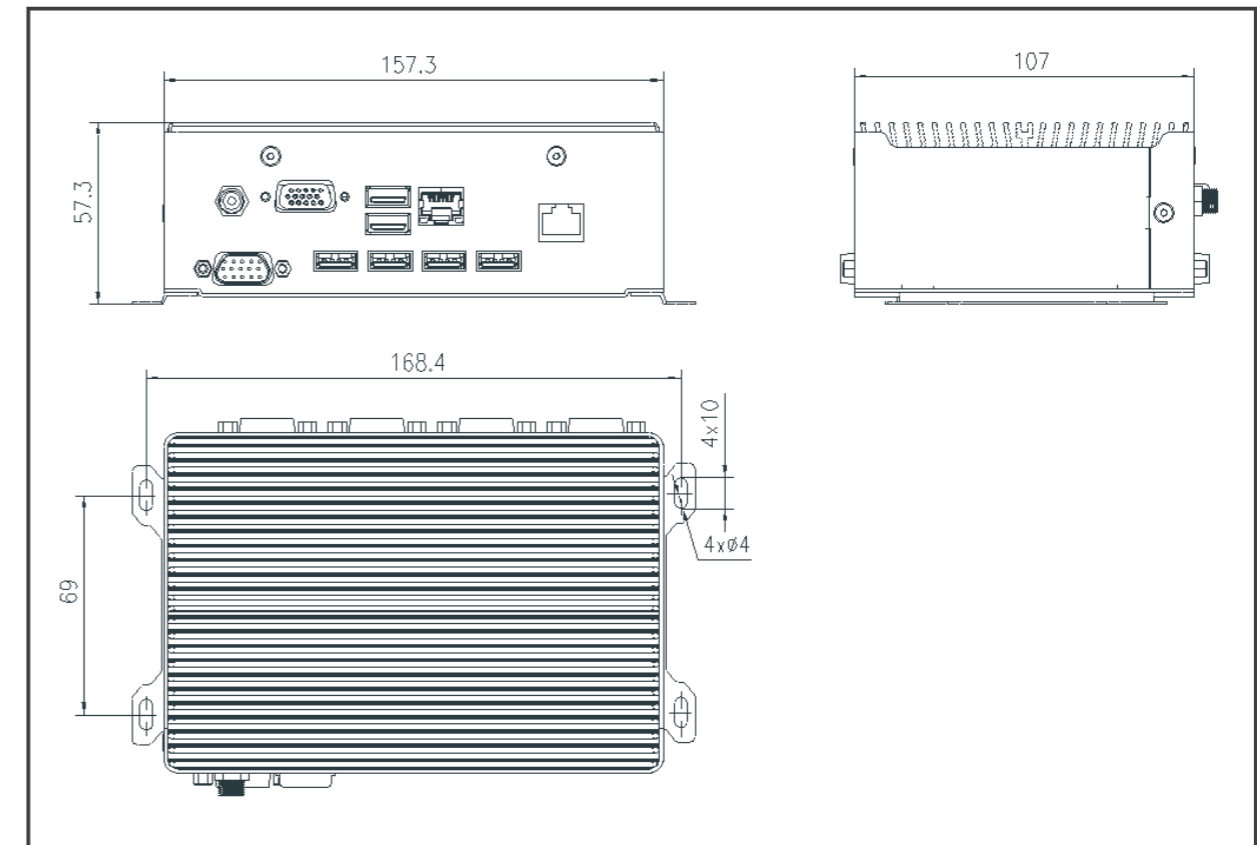


Key Feature

- Aluminum chassis, fanless design
- Intel® Braswell N3000 series CPU
- 1*DDR3L 1333/1600 SODIMM, Max 8GB
- 1*Mini PCIe(PCie+ USB signal), full Size
- 1*VGA or 1*HDMI
- 2*Gig LAN, 6*USB3.0, 4*COM, 8bit DIO
- 1*mSATA(Half size), 1*2.5" SATA3 HDD Bay
- DC 12V power input

Dimension

Unit : mm



SPEC

System	CPU	Intel® Celeron N3160 1.6 up to 2.24GHz, 4cores, 4threads, 2M cache, 14nm, TDP 6W
	System Memory	1*204-pin DDR3L 1333/1600MHz SODIMM, Max 8GB
	Expansion	1*Mini PCIe (Full size), PCIeX1+ USB signal
	Graphics	HD Graphics 400, HDMI or VGA, VGA resolution up to 1920*1200@60Hz:HDMI resolution up to 1920*1080@60Hz, support Intel® wireless display
	Audio	Realtek ALC888S-VD2-G high definition Audio, Line-out in HDMI
	LAN	2*Intel® I211AT/I210AT PCIe Gigabit Ethernet, Integrated 10/100/1000M
	Storage	1*mSATA(Half size) and 1*2.5" HDD Bay, SATA3 6.0Gbps, Integrated AHCI controller
	I/O Ports	2*RJ45 LAN ports (Rear) 1*VGA or HDMI (Rear) 6*USB 3.0 Type A(Rear) 8bit 2.5KV Isolate DIO DB15 male(Rear) 2*RS232/422/485 DB9 mail(Rear), 2*RS232 DB9 mail(Rear)
	LED	1*power LED, 1*HDD LED (Rear)
	Control SW	1* power button (Rear)
Power Supply	DC 12V Input, DC-Jack connector Power consumption: TDP 12W/1.1A(N3160 CPU,4G memory without HDD)	
Watchdog Timer	Watchdog timeout programmable via software from 1 to 255 seconds	
OS Support	Windows 7, Windows 10, Linux Fedora Ubuntu	
Mechanical	Constructure	Aluminum chassis, SGCC frame
	Color	Silver aluminum chassis, silver frame
	Mounting	VESA 100*100mm, desktop mounting
	Dimension	157.3*107.*57.3mm
	Net Weight	0.79kg
Environmental	Operating Temperature	-20°C ~ 70°C - SSD with airflow -10°C ~ 50°C - HDD with airflow
	Storage Temperature	-40°C ~ 85°C
	Storage Humidity	10~90%@40°C, non-condensing
	Vibration	5 grms/5~500Hz/random/in working status(SSD); 1 grms/5~500Hz/random/in working status(HDD)
	Shock	50g peak acceleration(11ms duration)(SSD); 20g peak acceleration(11ms duration)(HDD)
	EMC	CE / FCC Class A

Ordering Info

NO.	Introduction
KMDA-2601/S001	Fanless embedded box computer, Intel® Celeron N3160 CPU, 2*LAN, 6*USB3.0, 4*COM 8bit DIO, 1*Mini PCIe, 1*VGA(HDMI), 1*2.5" HDD Bay, 1*mSATA, DC-IN 12V .
PA-60DC12	AC/DC power adapter, DC12V/5A 60W