

110 Electronic Installation Multi-Tone Sounder

Technical specifications

Dimensions (Diameter x Height):	70 mm x 71,6 mm
Fixing :	Installation mounting for \varnothing 22,5 mm (M 22) with anti-twist device
Housing :	PC/ABS-Blend; Deckel: PC
Connection:	Connector plug with terminal screw connection max. 1,5 mm ²
Volume :	max. 100 dB (volume intensity is adjustable on rear side when mounted.);
Tone type:	8 tones adjustable on rear side of the housing
Life duration:	> 5000 h

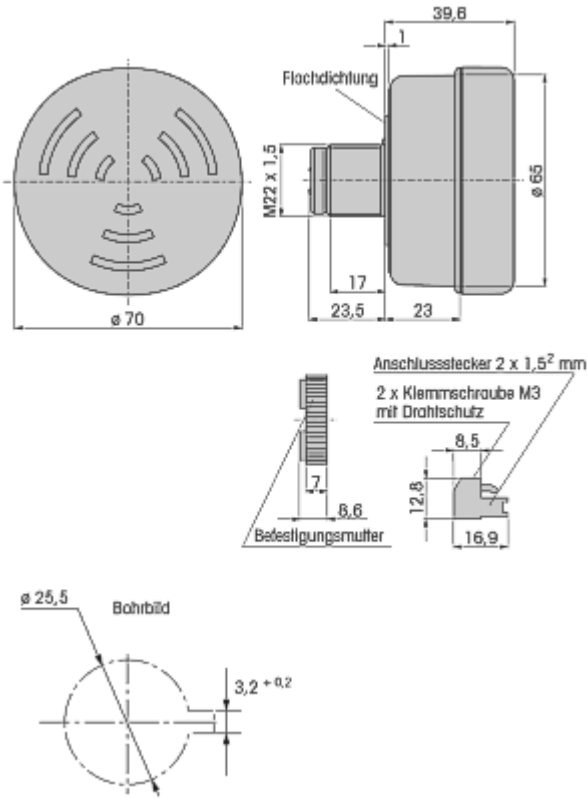
Special Parts

97510901	Bracket with protective cap (IP 54)
97510902	Single surface housing IP 65
97510903	Doublesurface housing IP 65
97510904	Triple surface housing IP 65

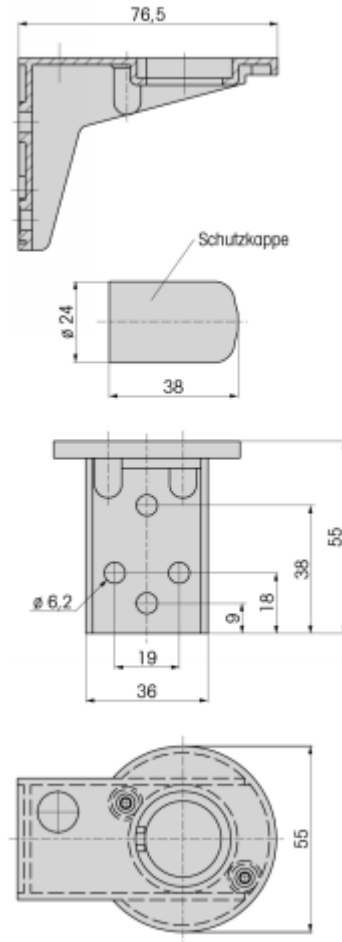
Technical Diagrams

110 Electronic Installation Multi-Tone Sounder

Electronic Installation Buzzer



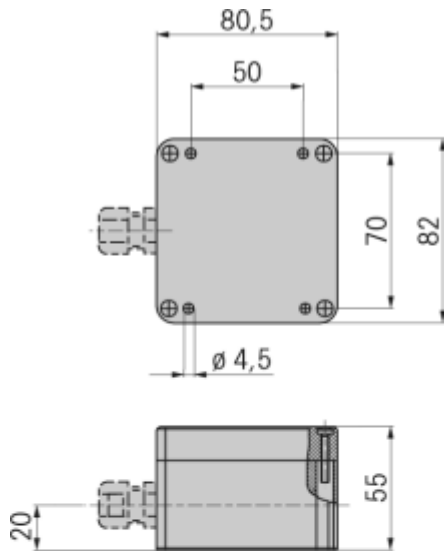
Bracket



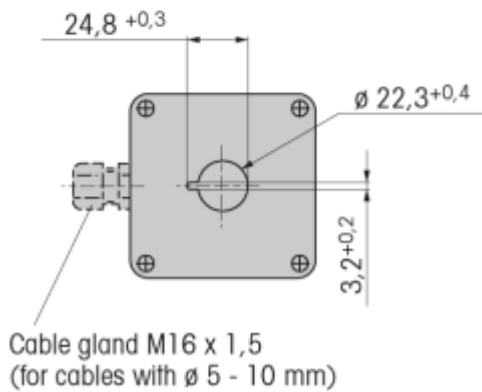
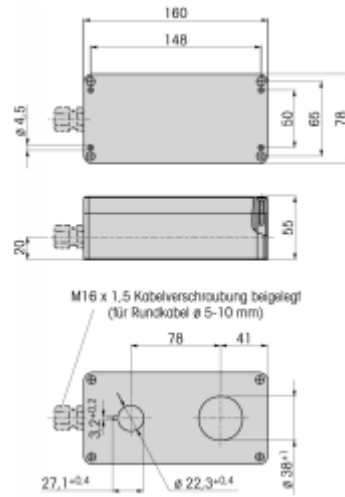
Technical Diagrams

110 Electronic Installation Multi-Tone Sounder

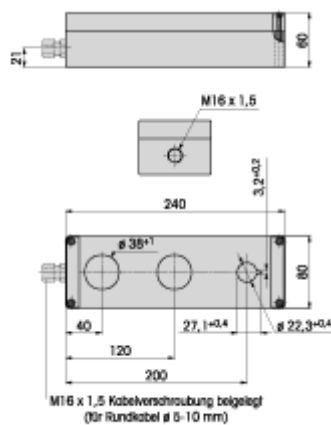
Surface Housing IP 65 (Single)



Surface housing IP 65 (double) for 1 beacon and 1 audible element



Surface housing IP 65 (triple) for 2 beacons and 1 audible element



975 109 04 Aufbaugehäuse dreifach