

890 Traffic Light Beacons

Technical specifications

Dimensions (Diameter x Height):	150 mm x 147 mm
Dome:	PC, transparent
Fixing :	Base mounting, bracket mounting
Housing :	ABS
Socket :	E27 max. 25 W at 890 X00 00 2 sockets E14 each with max. 15 W at 890 X00 00 With adhesive stickers E27 max. 15 W
Connection:	Screw-free clamp mechanism max. 1.5 mm ² (890 X00 00) Screwable connection with wire protection max. 2.5 mm ² (890 X10 00)
Cable entry:	From top or bottom with cable gland M20 x 1.5 or from the back with rubber grommet ø 6-12 mm
Others :	Bulbs not included in assembly

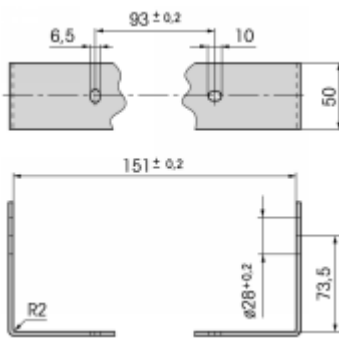
Special Parts / Accessories

95589038	Bulb E14, 15 W, 230 V=
95589055	Bulb E27, 25 W, 24 V=
95589067	Bulb E27, 25 W, 115 V~
95589068	Bulb E27, 25 W, 230 V=
956X2075	LED Bulb E27, 24 V =
956X2067	LED Bulb E27, 115 V ~
956X2068	LED Bulb E27, 230 V ~
97589002	Additional reflector for 890 X00 00
97589019	Fixing bow with mounting material, for one beacon (incl. connecting grommet)
97589021	Fixing bow with mounting material, for two beacons (incl. connecting grommet)
97589022	Fixing bow with mounting material, for three beacons (incl. connecting grommet)
97589025	Connecting grommet (always incl. with fixing bow)
97589052	Adhesive stickers: -->
97589053	Adhesive stickers: STOP
97589054	Adhesive stickers: START
97589055	Adhesive stickers: ZUTRITT
97589056	Adhesive stickers: KEIN ZUTRITT
97589057	Adhesive stickers: BETRIEB
97589058	Adhesive stickers: STÖRUNG
97589064	Adhesive stickers: Hand
97589065	Adhesive stickers: Flash

Technical Diagrams

890 Traffic Light Beacon

Bracket



Signal Beacon

