

829 LED Multi-Function Beacon

LED Permanent / Blinking / Flashing / Rotating

Technical specifications

Dimensions (Diameter x Height):	100 mm x 138,5 mm
Housing:	PC/ABS-Blend
Dome:	PC, transparent
Fixing:	Base mounting, bracket mounting, tube mounting (Base 97584090 must be ordered twice for base mounting once as socket for beacon and as base)
Connection:	Scewable connection with wire protection 0,5 mm ² - 1,5 mm ²
Cable entry:	Cable diameter 5 - 7 mm

LED PERMANENT/BLINKING LIGHT INTERCHANGEABLE LIGHT EFFECT

Blink frequency:	c. 1,5 Hz
Operating voltage:	24 V=
Current consumption	<= 150 mA

LED PERMANENT LIGHT

Operating voltage:	115 V~ 230 V~
Current consumption:	<= 30 mA <= 30 mA

LED PERMANENT/BLINKING/ROTATING LIGHT INTERCHANGEABLE LIGHT EFFECT

Blink frequency:	c. 1,5 Hz
Rotating frequency:	ca. 180 r.p.m.
Operating voltage:	24 V=
Current consumption:	<= 300 mA

LED FLASING LIGHT

Blink frequency:	c. 1,5 Hz	c. 1,5 Hz	c. 1,5 Hz
:Operating voltage	24 V=	115 V~	230 V~
Current consumption:	< 30 mA	< 30 mA	< 30 mA

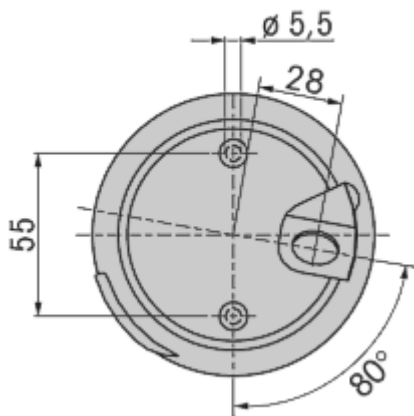
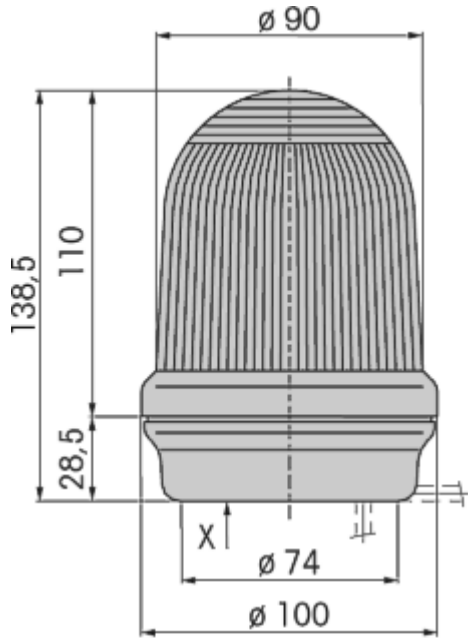
Special Parts / Accessories

97584090	Base for tube (must be ordered twice)
97582605	Plastic bracket for wall mounting
97582603	Wire guard, galvanised, for base mounting
97584510	Tube Ø 25 mm, all anodized aluminium, 100 mm lang

Technical Diagrams

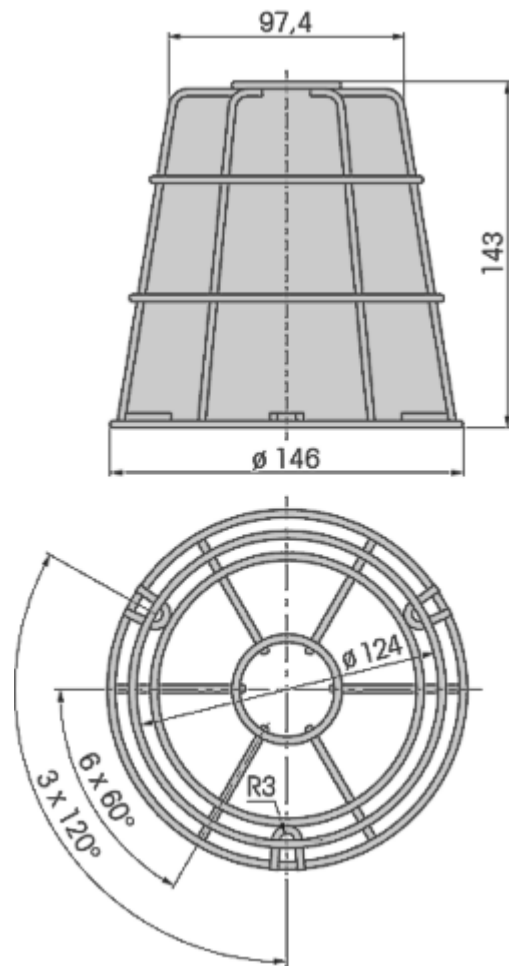
829 LED Permanent / Blinking / Flashing / Rotating Beacon

LED Permanent / Blinking / Flashing / Rotating



Ansicht X

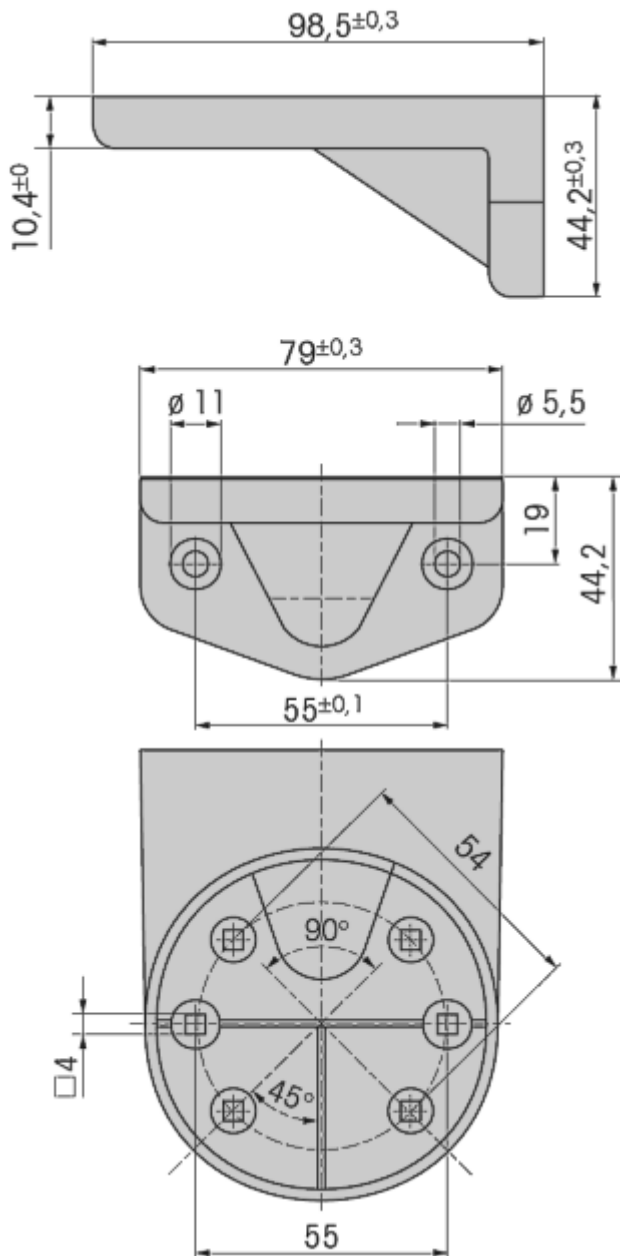
Wire Guard



Technical Diagrams

829 LED Permanent / Blinking / Flashing / Rotating Beacon

Bracket



Base for tube, plastic

