

640 Signal Tower Kombi Sign 71

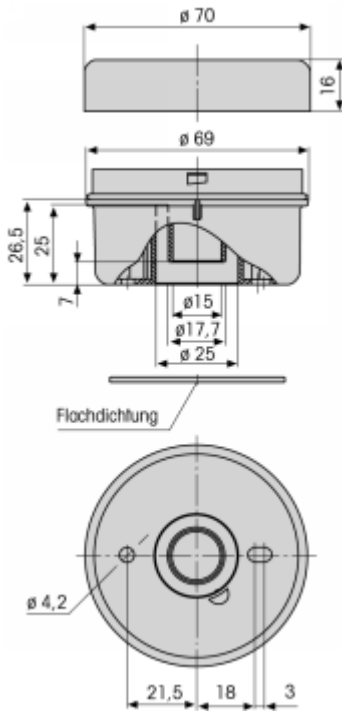
Technical specifications

Dimensions (Diameter x Height):	Terminal element: 70 mm x 26,5 mm Light element: 70 mm x 65 mm Audible element: 70 mm x 72 mm			
Housing:	Terminal element: PA fibreglass, high-impact Cap: PC			
Dome:	PC, transparent Audible and ASI elements: PC			
Fixing:	Base mounting Tube mounting, for tube \varnothing 25 mm, Bracket mounting			
Socket:	Bayonet, B 15 d, for bulb max. 7 W			
Connection:	CAGE CLAMP® technology max. 2,5 mm ² or screwable connection max 2,5 mm ² , Contact protection according to VDE			
Cable entry:	Cable diameter max. 14 mm			
Element seal:	Pre-mounted with each module			
Protection rating:	Light elements: IP 65 Audible elements: IP 65 ((Order no. 645 830 55 = IP 40)			
Number of modules possible:	max. 5/max. 10 elements with 2-sided bracket			
Permanent light element	12 - 240 V \approx Bulb not included in assembly			
Blinking light element	24 V \approx	115 V \approx	230 V \approx	
	Bulb not included in assembly			
Starting current:	< 0,5 A			
Flashing light element	12 V =	24 V =	115 V ~	230 V ~
Flash frequency	1 Hz			
Flash energy	2 Ws			
Life duration	4 x 10 Mio. flashes			
Current consumption	195 mA	125 mA	20 mA	35 mA
reduced for AS-Interface		80 mA		
Starting current:	< 0,5 A at 24 V			
LED-Permanent light element	24 V \approx	115 V ~	230 V ~	
Current consumption	45 mA	25 mA	25 mA	
Starting current	< 0,5 mA at 24 V			
LED-Blinking light element	24 V \approx	115 V ~	230 V ~	
Current consumption	25 mA	25 mA	25 mA	
Starting current	< 0,5 mA at 24 V			
Blink frequency	c. 1 Hz	c. 1 Hz	c. 1 Hz	
LED-Rotating light element	24 V \approx			
Current consumption:	70 mA			
Starting current	< 0,5 mA at 24 V			
Rotation frequency	c. 120 r.p.m			

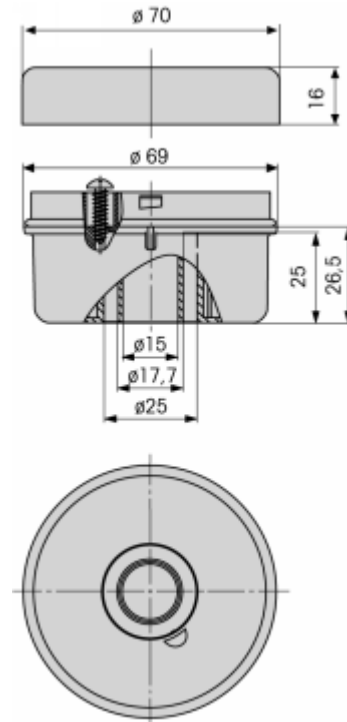
Technical Diagrams

640 Signal Tower Kombi Sign 71 (Page 1)

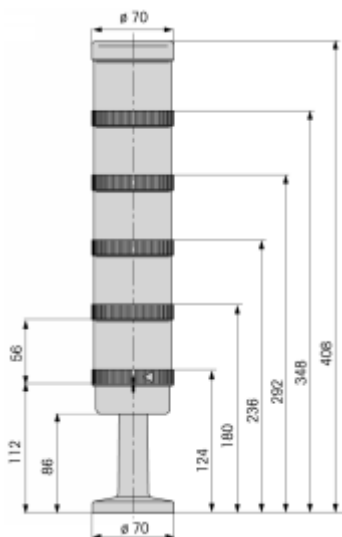
Adapter Base for Bracket Mounting



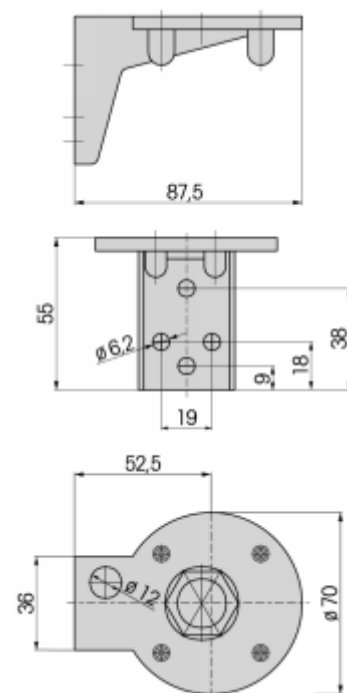
Adapter for tube Mounting



Kombi Sign 71



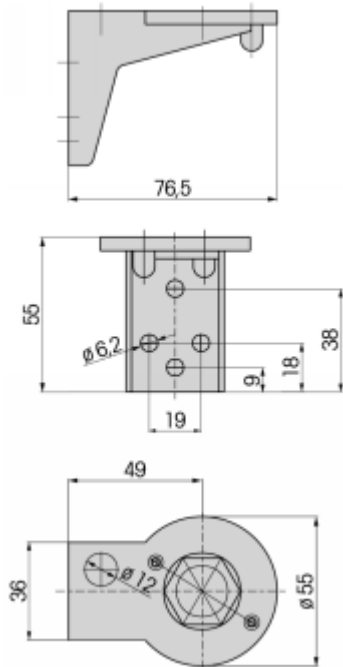
Bracket for base mounting



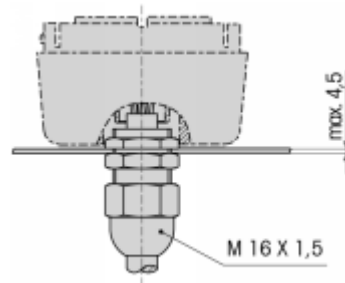
Technical Diagrams

640 Signal Tower Kombi Sign 71 (Page 2)

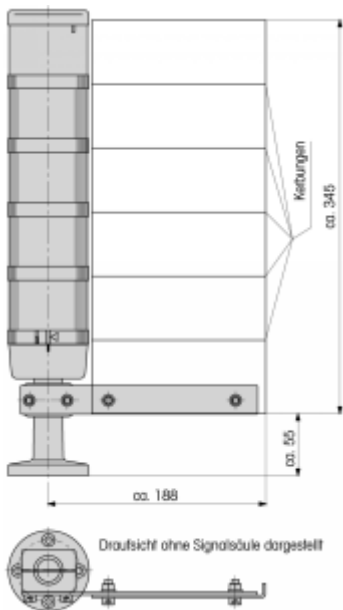
Bracket for surface mounting



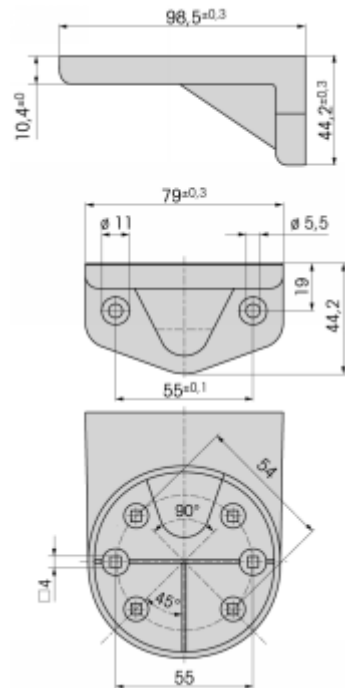
M16 Screw



Indication Board



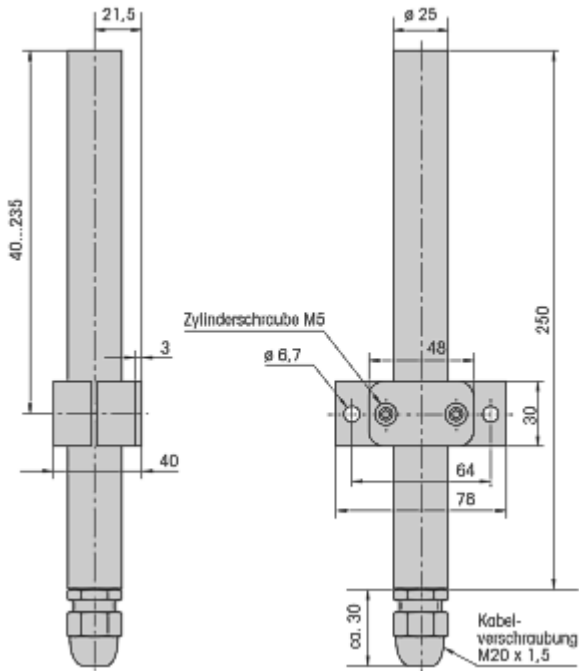
Bracket for base mounting with concealed cable entry



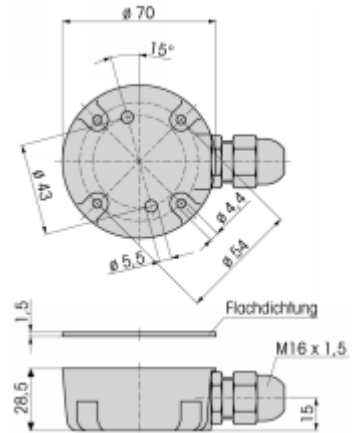
Technical Diagrams

640 Signal Tower Kombi Sign 71 (Page 3)

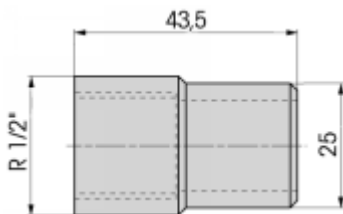
Tube with clamp, \varnothing 25 mm, 250 mm long with cable gland



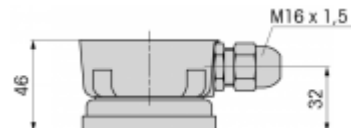
Adapter box



Adapter



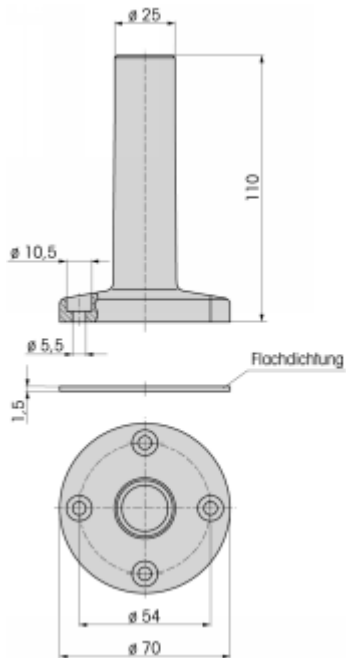
Adapter with magnet base



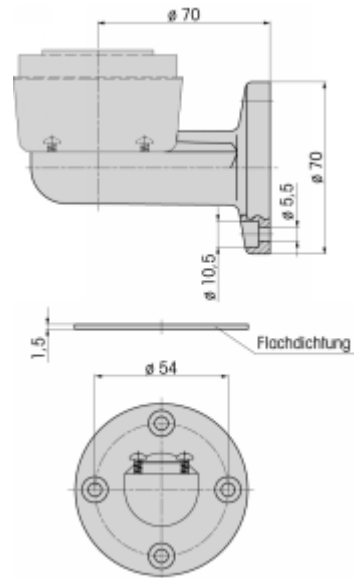
Technical Diagrams

640 Signal Tower Kombi Sign 71 (Page 4)

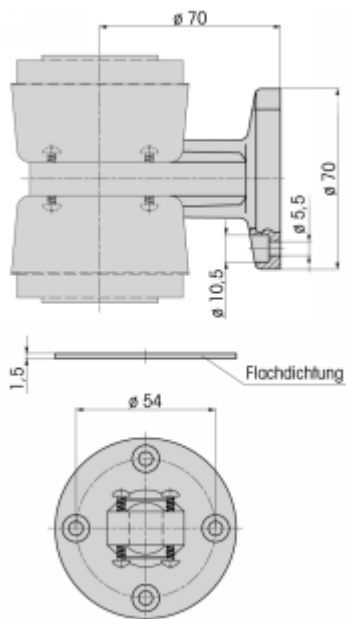
Base with Tube



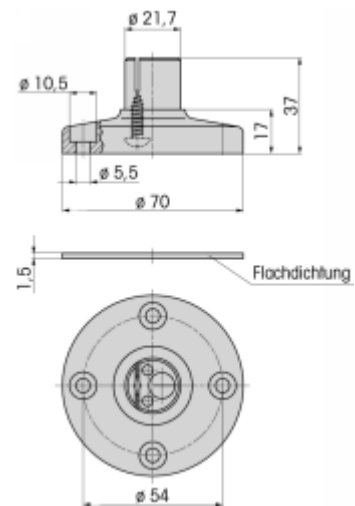
Bracket for 1-sided mounting



Bracket for 2-sided mounting



Base for tube, plastic



Technical Diagrams

640 Signal Tower Kombi Sign 71 (Page 5)

Base for tube, metal

