

800, 801, 802 Series Beacons

Technical specifications

Housing:	PC/ABS-Blend Socket: PA fibreglass, high-impact
Dome:	PC, transparent
Connection:	Screwable connection max. 2.5 mm ² Pull relief, Contact protection according to VDE, flex radial or axial laid
Fixing:	Installation mounting for Ø 37mm (PG 29)
Dimensions(Diameter x Height):	58 mm x 85 mm

Permanent light 800

Operating voltage:	max. 250 V
Bulb socket:	B 15d, 7 Watt max.
Bulb change:	via rear access with bayonet mechanism

LED-permanent light 801

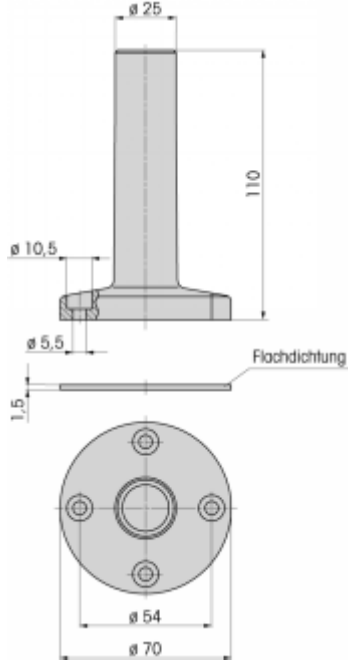
Starting current:	< 0.5 A at 24 V
Operating voltage:	24 V ~, 115 V~, 230 V~
Current consumption:	45 mA at 24 V 25 mA at 115 V 25 mA at 230 V

Flashing light 802

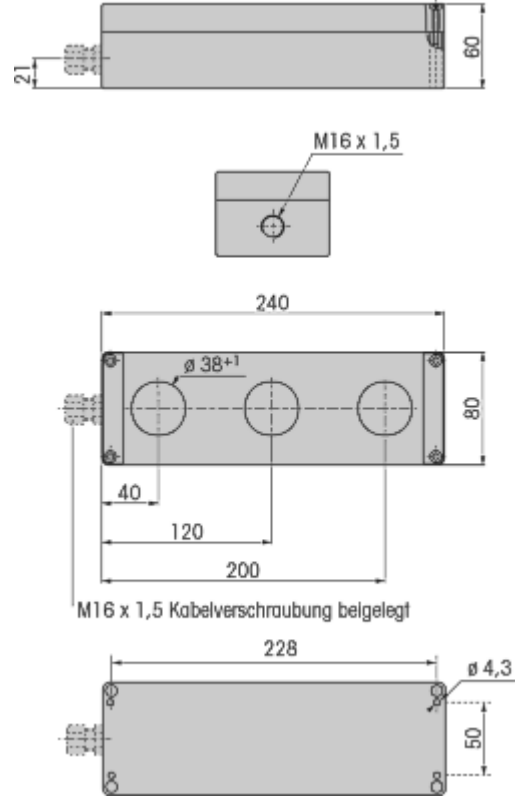
Flash frequency:	0,75 Hz
Flash energy:	1 Ws
Life duration:	4 x 10 ⁶ flashes
Operating voltage:	24 V ~, 115 V~, 230 V~
Current consumption:	100 mA at 24 V 20 mA at 115 V 30 mA at 230 V

800 Series Technical Diagrams

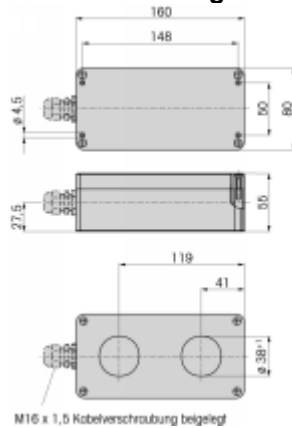
Base with integrated Tube



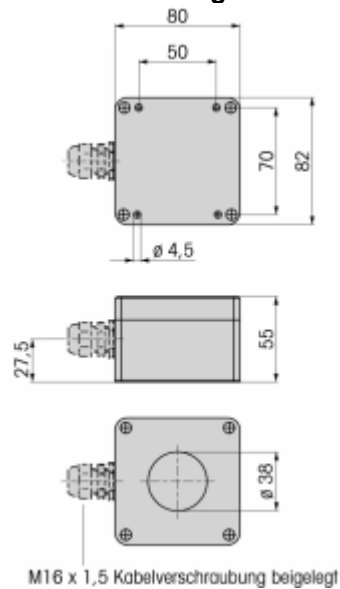
Flat surface housing for 3 beacon



Flat surface housing for 2 beacon

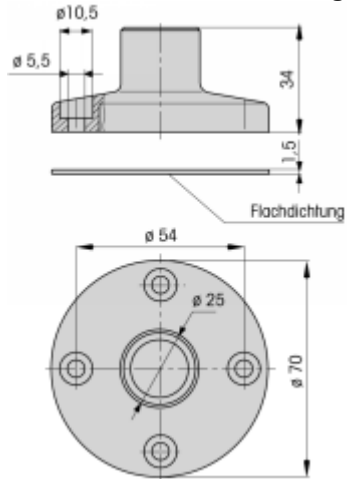


Flat surface housing for 1 beacon

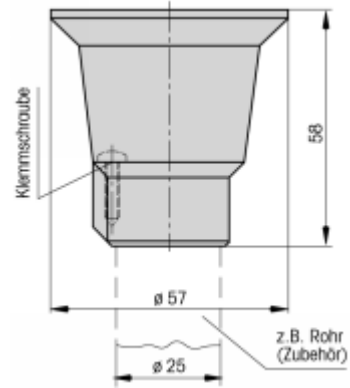


800 Series Technical Diagrams

Base for surface mounting



Tube Adapter



800/801/802 Permanent/LED/Flashing Beacon

