



UM60-300...1050



Deflecting Mirrors for Safety light curtains and Multiple light beam safety devices

The Deflecting Mirrors with narrow mirror carrier are used for the beam deflection of light curtains and multiple light beam devices in order to achieve multi-sided safeguarding of danger zones. Sliding blocks and mounting brackets (accessories) allow a easy and precise alignment.

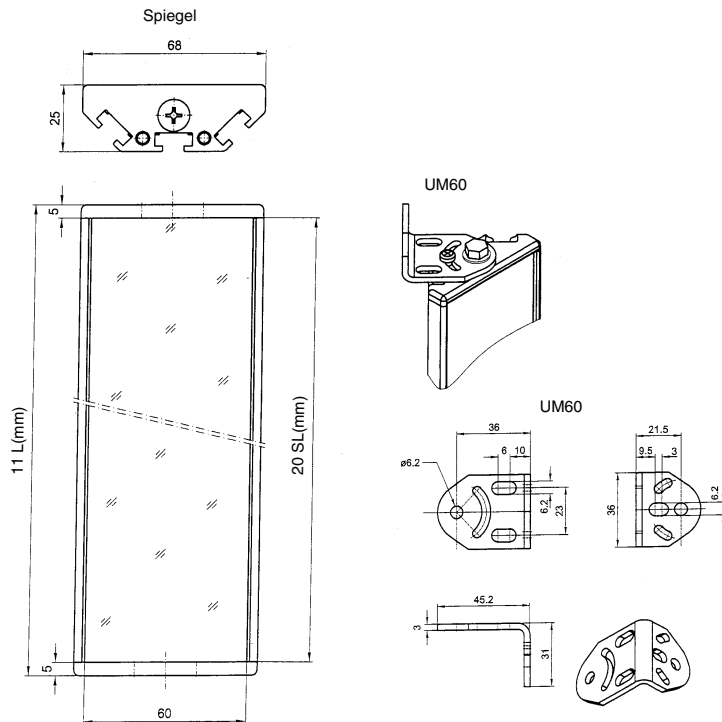
Advantages

- continuous mirror surface for beam deflection of light curtains
- sturdy aluminium profile
- narrow and flat construction
- Mounting brackets allow mounting and alignment in the preference angles 0, 45, 90° as well as swivel-mounted.

Areas of Application

Multi sided safeguarding of danger zones in combination with safety light curtains of the COMPACT or ECO series or multiple light beam safety device.

Dimensional drawings



Dimensional table:

Type	Continuous mirror length [mm]	Mirror carrier [mm]
UM60-300	360	370
UM60-450	510	520
UM60-600	660	670
UM60-750	810	820
UM60-900	960	970
UM60-1050	1110	1120

Technical data

Mirrors	Continuous mirror surface
Housing	Aluminium profile housing
Surface	Powder varnished, yellow (RAL 1021)
Range	Reduction per deflection of about 10%

Ordering information

Type	Order No.
UM60-300	529603
UM60-450	529604
UM60-600	529606
UM60-750	529607
UM60-900	529609
UM60-1050	529610

Other mirror length on request

Accessories

Type	Order No.
BT/UM60	430105
UM60 mounting set containing 2 UM60 mounting bracket and screws	
Bracket with vibration damping	560300
Swiveling mounting	560120