



## AMI 42



### Active beam deflection for 2-beam light grids (AOPD type 2, 4)

AMI 42 is an active deflection mirror with an integrated transmitter and receiver system. The infra-red light signals picked up by the receiver are sent back unchanged via the transmitter to the safety system. High function range is achieved by the amplification of the light signal.

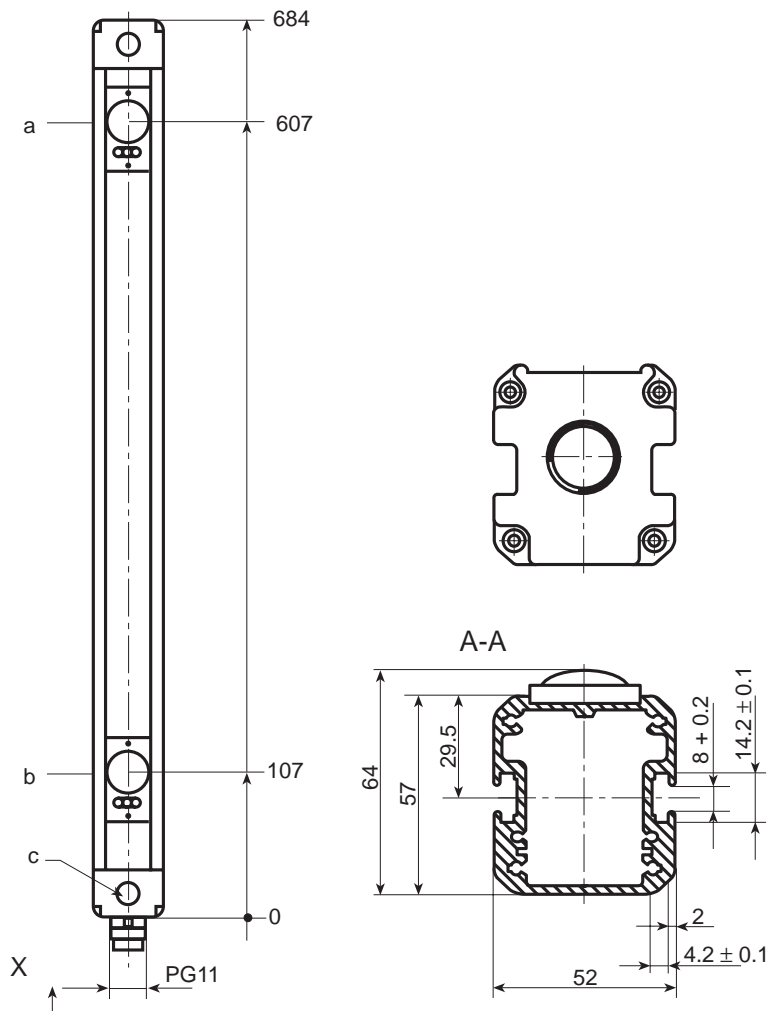
## Advantages

- Beam distance 500 mm (according to prEN 999)
- Active deflection mirror in sturdy aluminium extrusion profile
- Simple alignment because of optical parts with +/- 2 ° effective beam width
- Integrated lens heating system for use in extreme environmental conditions
- Simple mounting via adjustable M6 sliding brackets

## Areas of application

AMI 42 is a functional unit together with ROBUST RRT 42 (AOPD type 4) according to EN/IEC 61496-1, -2.  
AMI 42 can also be used with a ROBUST RRT 22. Then it is an AOPD type 2 (testing) according to EN/IEC 61496-1, -2.

## Dimensional drawings



- a = receiver module
- b = transmitter module
- c = prepared for PG 9 (at the front and back)

Subject to change without notice



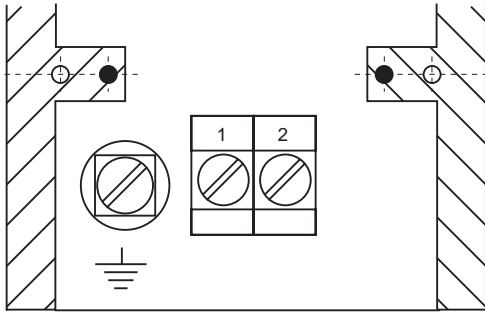
600881-05/99





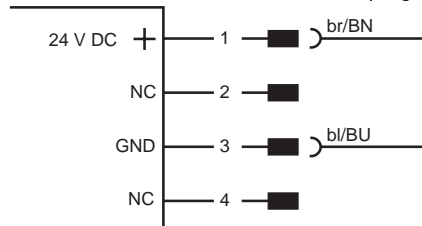
## Electrical connection

Connection of the terminals



- 1 = supply voltage 24 V DC
- 2 = supply voltage 0 V

Accessories: connection with M12 plug-in connection



## Technical data

Classification	type 4 according to EN/IEC 61496-1, -2
----------------	--

### Optical data

Operation range	with RRT 42: 50 m with RRT 22: 50 m
Light source, transmitting module	LED, Infra-red (alternating light)
Wave length	880 nm

### Electrical data

Operation voltage $U_B$	24 V DC +/- 15 %
Residual ripple	15 % of $U_B$
Power input	approx. 80 mA

### Displays

Receiver module LED yellow	at $U_B$ on
Transmitter module LED yellow	transmitter active

### Mechanical data

Housing	Aluminium-extrusion profile
Color	RAL 1021, yellow
Optical parts	Glass, with lens heating system
Weight	900 g
Connection	with PG screwing (PG 11) for cable connection

## Technical data

### Environmental data

Ambient temperature (operation/storage)	-25 °C to +55 °C/ -30 °C to +70 °C
VDE protection class	1 (with M12 protection class 3, operation only with safe low voltage)
Enclosure rating	IP 67

### Notes

AMI 42 active beam deflection is in connection with a transceiver

- RRT 22 an AOPD type 2 according to EN/IEC 61496-1, -2
- RRT 42 an AOPD type 4 according to EN/IEC 61496-1, -2

## Order details

Active beam deflection AMI 42 (active deflection mirror)

order no. 50029087

(2 standard brackets in the scope of supply)

## Accessories

- Plug accessories nach DIN 43651, AS 78-01  
order no. 50021778
- Plug accessories M12, 3-polig,  
order no. 50029498
- Swivelling mount with absorption of vibration (2 pieces per unit necessary)  
order no. 560300