

US 1 / US 2 / US 2.1 / US 2.2

Deflecting Mirror for Light Barriers

The deflecting mirrors serve to deflect the beam of the individual light axes of e.g. Type 4 or Type 2 safety light barriers. The mirror mounts allow for an exact adjustment in all three axes.



US 2/2.1/2.2:

Glass mirror in aluminium extrusion profile

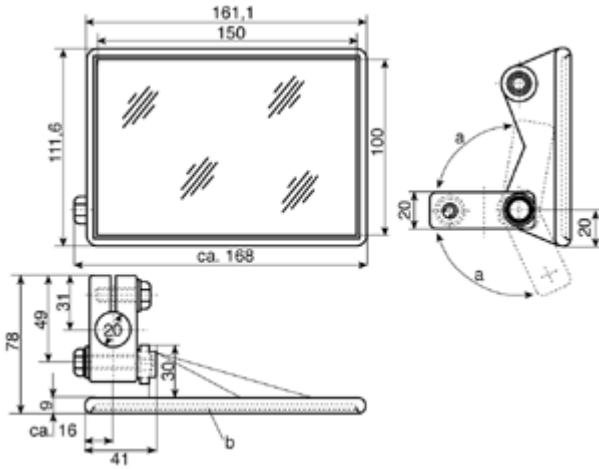


Advantages

- US 2:
Mirror support on mounting plate can be adjusted 90°.

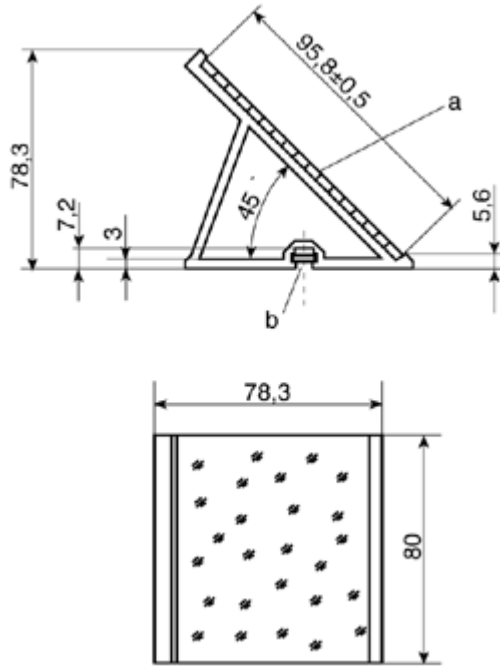
US 1 / US 2 / US 2.1 / US 2.2
Dimensional Drawings

Deflecting mirror US 1



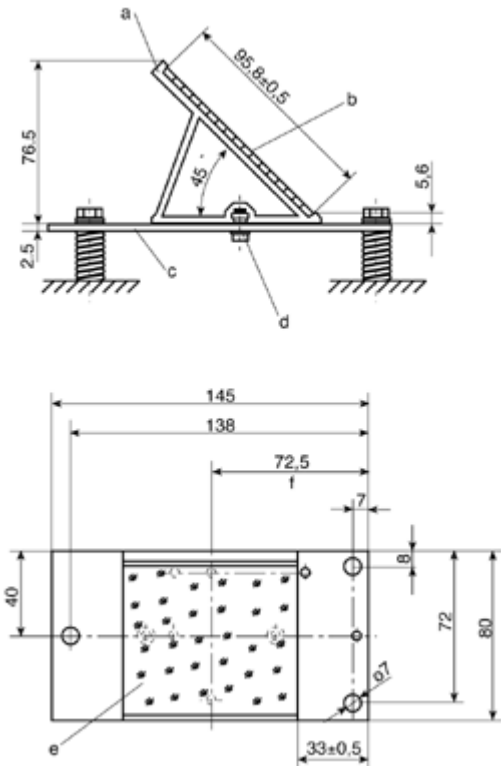
- a) Swivelling
- b) Mirror

Deflecting mirror US 2.1



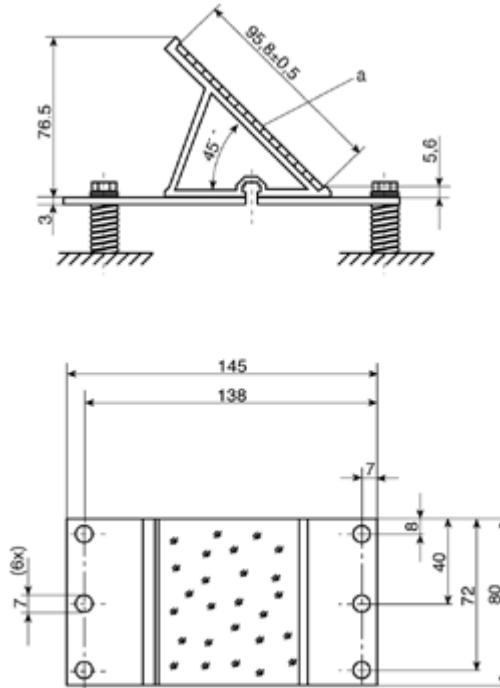
- a) Mirror (95,8x79)
- b) 2 adjustable nuts M4

Deflecting mirror US 2



- a) Mirror support on mounting plate can be adjusted 90°

Deflecting mirror US 2.2



- a) Mirror (95,8x79)

- b) Mirror (95.8x79 mm)
- c) Plate
- d) Screw DIN 912-M4x10(2x) and spring ring DIN 127-A4 (2x)
- e) Mirror support adjusted 90°
- f) Middle of the mirror

Technical Data

Color Mirror support black anodized

US 2:
Mounting plate epoxide powder coated, RAL
3000