

MMS

Muting Mounting System



The MMS Muting-Mounting-System enables in combination with light grids with integrated Muting (Areal-M, COMPACTplus) or Robust with MCB and Mounting columns UDC/DC to realize complete Muting-Applications in a easy and convenient manner.

Advantages

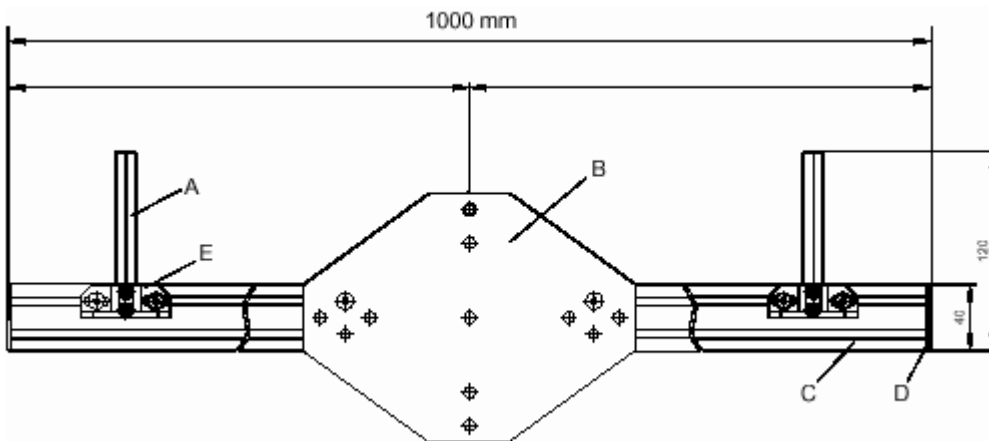
- Mounting system for Muting-Applications
- Slim, attractively designed profile
- Flexible mounting plate for attaching the MMS to the column
- Mounting of Muting-Sensors to MMS with 12 mm-V2A-round rods
- Adjustment of sensors horizontal and vertical in a big range
- MMS-P-1000 includes reflectors and mounting devices

Areas of Application

Mounting of muting sensors and -reflectors to freestanding mounting columns UDC/DC.

MMS
Dimensional Drawings

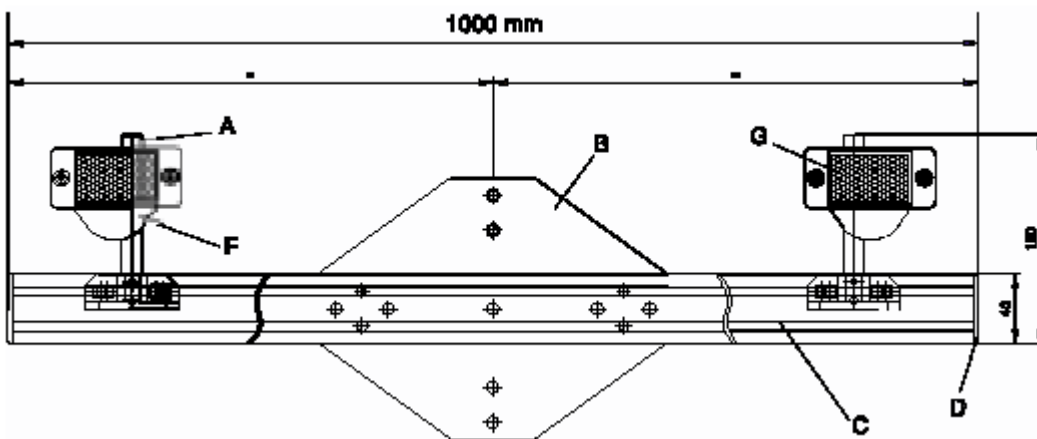
MMS-A-1000



A = V2A-round rod 12x100 mm
B = Mounting plate
C = Alu profile

D = Cap
E = Mounting device UMS 1.03

MMS-P-1000



A = V2A-round rod 12x100 mm
B = Mounting plate
C = Alu profile
D = Cap

E = Mounting device UMS 1.03
F = Mounting device BT 46.1
G = Reflector TK 30x50