



MSI-mxE/Rx, MSI-mxE/Tx



Additional information on the MSI-mx/Rx and MSI-mx/Tx safety interfaces

The modular safety interfaces of the MSI family serve as a link between one or more optoelectronic protective devices and the machine controls. The individual versions offer various safety-related additional functions, such as start/restart interlock, EDM (external device monitoring), test monitoring of type 2 sensors, single/double break control, or muting. All these components are obtainable either with relay outputs or with fail-safe pnp semiconductor outputs. The "x" versions also allow for the connection of safety switches or emergency STOP buttons of category 4.

The "E" versions are designed for use in operating temperatures up to 60° Celsius.

The differences in the technical specifications of the MSI-mxE safety interfaces from the Connecting and Operating Instructions for the standard MSI-mx version are described in this datasheet.



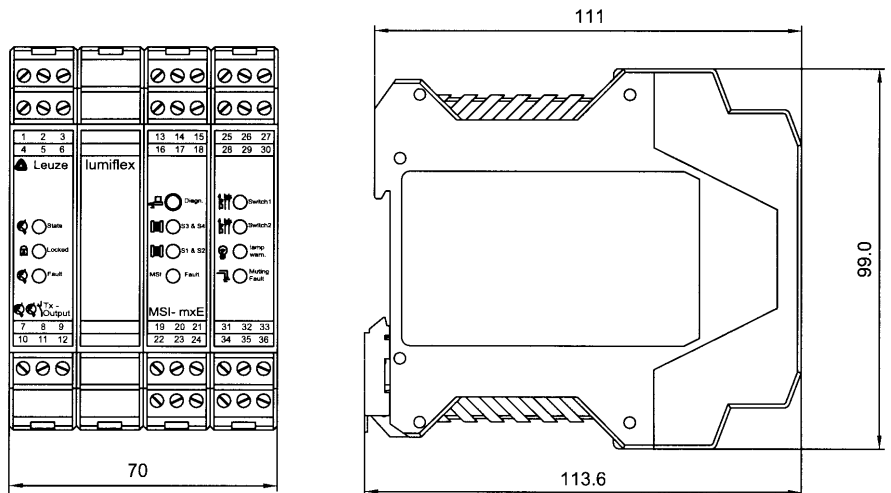
When putting the MSI-mxE safety interface into operation, knowledge of the Connecting and Operating Instructions for the MSI-mx as well as of the additional information on the MSI-mxE is indispensable.

Leuze lumiflex GmbH + Co. KG
Liebigstraße 4
D-82256 Fürstenfeldbruck, Germany
Tel. +49 - (0)81 41-5350-0
Fax +49 - (0) 8141-53 50-190
e-mail: lumiflex@leuze.de
www.leuze.de

Advantages

- Safety interfaces of type 4, with muting function in accordance with IEC 61496-1, EN 954-1
- 2 AOPDs of type 4, or up to 4 AOPDs of type 2 can be connected, 2 safety switches or 2 E-STOP buttons can be connected as well
- designed for operating temperatures up to 60° Celsius
- UL certified

Dimensional drawings



① The given dimensions apply to MSI-mxE/Rx and MSI-mxE/Tx.

Technical data

Ambient operating temperature	0° ... +60°
Dimensions	See scale drawings for the MSI-mxE
Certifications	BIA, UL

① This datasheet includes only the technical specifications which are different from the technical specifications for the MSI-mx standard version. Please consult the technical specifications for the standard versions, chapter 6, in the Connecting and Operating Instructions for the MSI-mx safety interfaces.

Electrical connection

See the information on electrical connections, chapter 4, in the Connecting and Operating Instructions for the MSI-mx standard version.

Order details

Type		Order No.
MSI-mxE/Rx	Safety interface of type 4, muting, extended, relay output, 60°	549982
MSI-mxE/Tx	Safety interface of type 4, muting, extended, semiconductor output, 60°	549983
MSI-AC 115	115 V AC à 24 V DC/0.6 A power supply, unregulated	549940
MSI-AC 230	230 V AC à 24 V DC/0.6 A power supply, unregulated	549908
MSI-SWC	MSI diagnosis kit	549932

① Standard delivery includes the Connecting and Operating Instructions of the given safety interface in each case, as well as the relevant additional information on the specific MSI-E version (e.g. standard delivery for the MSI-mxE/Rx consists of: MSI-mxE/Rx safety interface, MSI-mxE/Rx Connecting and Operating Instructions, datasheet with additional information on the MSI-mxE/Rx).