

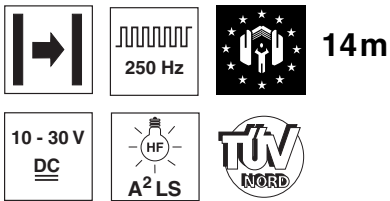


## SLSR 8

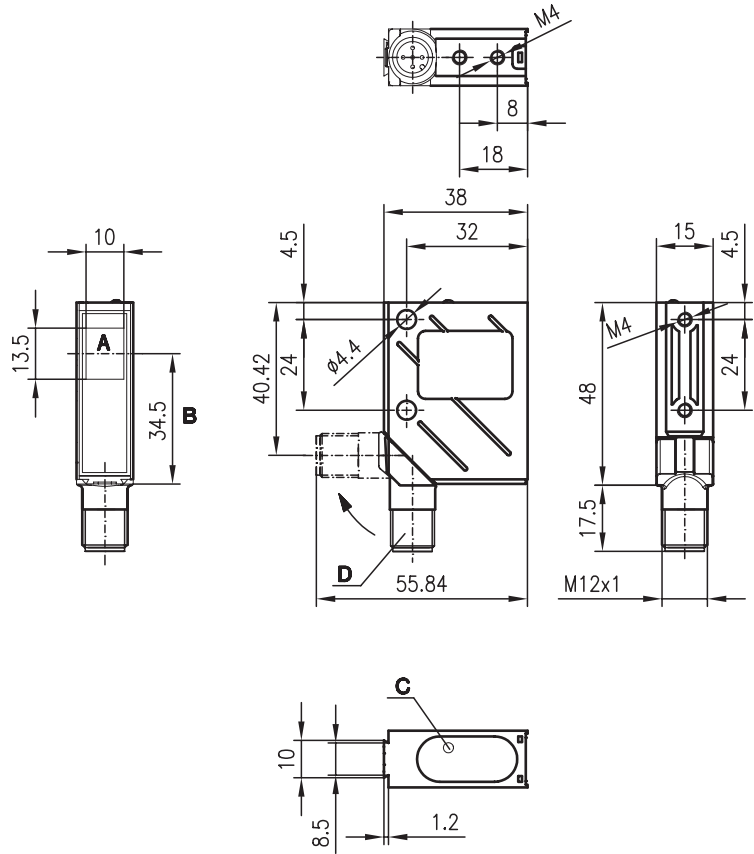
## Protective throughbeam photoelectric sensors



### Dimensioned drawing

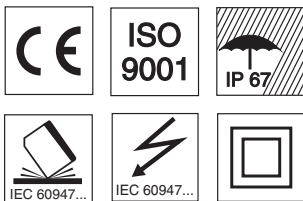
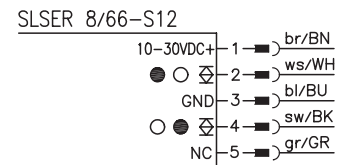
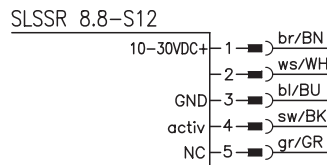


- A<sup>2</sup>LS - active suppression of extraneous light
- Push-pull switching outputs
- M12 turning connector
- Visible red light



- A Transmitter/receiver
- B Optical axis
- C LED yellow
- D 90° turning connector

### Electrical connection



### Accessories:

(available separately • see page 72)

- M12 connectors (KD ...)
- Mounting systems
- Control guard

We reserve the right to make changes • 8\_a03e.fm



## Specifications

### Optical data

Typ. operating range limit <sup>1)</sup>	14 m
Operating range <sup>2)</sup>	10 m
Light source	LED (modulated light)
Wavelength	660nm (visible red light)

### Timing

Switching frequency	250Hz
Response time	2ms
Delay before start-up	≤ 100ms

### Electrical data

Operating voltage $U_B$	10 ... 30VDC
Residual ripple	≤ 15% of $U_B$
Bias current	≤ 35mA
Switching output/function	2 push-pull switching outputs <sup>3)</sup> pin 2: PNP dark switching, NPN light switching pin 4: PNP light switching, NPN dark switching
Signal voltage high/low	≥ ( $U_B - 2V$ )/≤ 2V
Output current	max. 100mA
Sensitivity	not adjustable

### Indicators

LED yellow, receiver	light path free
LED yellow flashing, receiver	light path free, no performance reserve

### Mechanical data

Housing	metal
Optics cover	glass
Weight (plug/cable)	70g/140g
Connection type	M 12 connector, 5-pin (turning)

### Environmental data

Ambient temp. (operation/storage)	-20 °C ... +60 °C/-40 °C ... +70 °C
Protective circuit <sup>4)</sup>	2, 3
VDE safety class <sup>5)</sup>	II, all-insulated
Protection class <sup>6)</sup>	IP 67
LED class	1 (acc. to EN 60825-1:1994 +A1:2002 +A2:2001)
Standards applied	IEC 60947-5-2

1) Typ. operating range limit: max. attainable range without performance reserve

2) Operating range: recommended range with performance reserve

3) The push-pull switching outputs must not be connected in parallel

4) 2=polarity reversal protection, 3=short-circuit protection for all outputs

5) Rating voltage 250VAC

6) In stop position of the turning connector (turning connector locked)

## Order guide

	Designation	Part No.
<b>with M12 connector</b>		
Transmitter and receiver	SLSR 8/66.8-S12	
Transmitter	SLSSR 8.8-S12	500 38791
Receiver	SLSER 8/66-S12	500 38792

## Tables

0	10	14
---	----	----

<input type="checkbox"/>	Operating range [m]
<input type="checkbox"/>	Typ. operating range limit [m]

## Diagrams

## Remarks

The protective throughbeam photoelectric sensor is a contactless active protective device only in connection with a safety-relevant control system, in which the cyclical testing of transmitter and receiver is carried out according to EN 61496-1, category 2 (testing).

The power supply unit used to operate the photoelectric sensor has to be able to compensate for changes and interruptions of the supply voltage acc. to EN 61496-1. Minimum blackening object: Ø13mm.