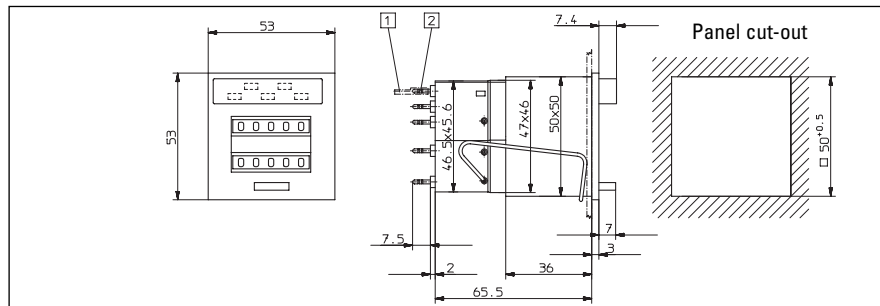




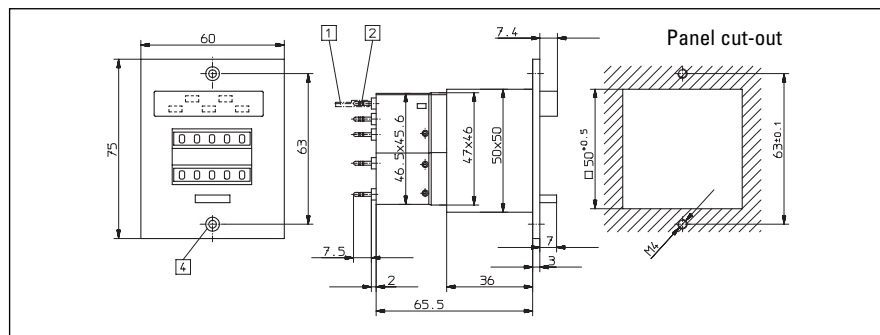
## HVa 15.21



Voltage	Art-No. (AC), 50 Hz	Art-No. (AC), 60 Hz	Art-No.(V DC)
10 ... 30			3.300.211.351
20 ... 30	3.300.211.071	3.300.211.081	
36 ... 80			3.300.211.353
42 ... 48	3.300.211.072	3.300.211.082	
100 ... 130	3.300.211.074	3.300.211.084	3.300.211.381
187 ... 264	3.300.211.075	3.300.211.085	
360 ... 440	3.300.211.079	3.300.211.089	

- 1 silver plated push on connector  $\varnothing$  1.5
- 2 silver plated round pin  $\varnothing$  1.5

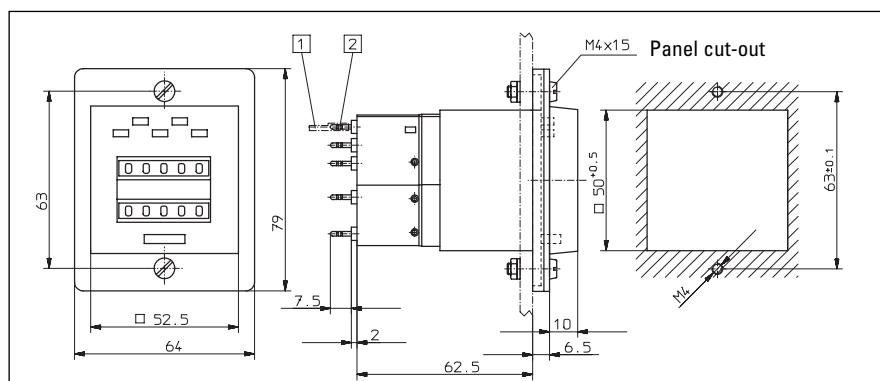
## HVa 15.31



Voltage	Art-No. (AC), 50 Hz	Art-No. (AC), 60 Hz	Art-No.(V DC)
10 ... 30			3.300.311.351
20 ... 30	3.300.311.071	3.300.311.081	
36 ... 80			3.300.311.353
42 ... 48	3.300.311.072	3.300.311.082	
100 ... 130	3.300.311.074	3.300.311.084	3.300.311.381
187 ... 264	3.300.311.075	3.300.311.085	
360 ... 440	3.300.311.079	3.300.311.089	

- 1 silver plated push on connector  $\varnothing$  1.5
- 2 silver plated round pin  $\varnothing$  1.5
- 3 Counter sink Af3 DIN 74

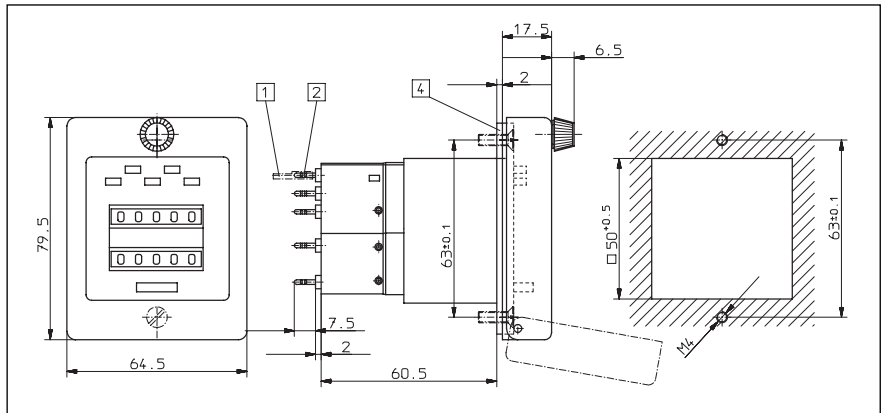
## K2 HVa 15.31



Voltage	Art-No. (AC), 50 Hz	Art-No. (AC), 60 Hz	Art-No.(V DC)
10 ... 30			3.300.611.351
20 ... 30	3.300.611.071	3.300.611.081	
36 ... 80			3.300.611.353
42 ... 48	3.300.611.072	3.300.611.082	
100 ... 130	3.300.611.074	3.300.611.084	3.300.611.381
187 ... 264	3.300.611.075	3.300.611.085	
360 ... 440	3.300.611.079	3.300.611.089	

- 1 silver plated push on connector  $\varnothing$  1.5
- 2 silver plated round pin  $\varnothing$  1.5

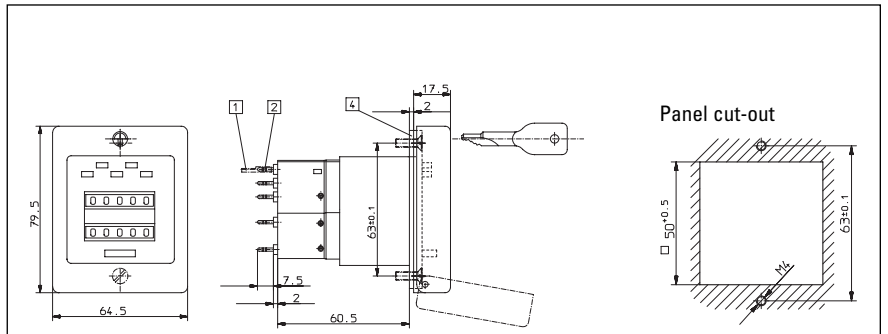
## Dv HVa 15.31 (knob locking cover)



Voltage	Art-No. (AC), 50 Hz	Art-No. (AC), 60 Hz	Art-No. (V DC)
10 ... 30			3.300.211.351
20 ... 30	3.300.211.071	3.300.211.081	
36 ... 80			3.300.711.353
42 ... 48	3.300.711.072	3.300.711.082	
100 ... 130	3.300.711.074	3.300.711.084	3.300.711.381
187 ... 264	3.300.711.075	3.300.711.085	
360 ... 440	3.300.711.079	3.300.711.089	

- 1 Silver plated push on connector  $\varnothing$  1.5
- 2 Round pin  $\varnothing$  1.5 silver plated
- 4 Sealing

## Dvs HVa 15.31 (locking transparent cover)



Voltage	Art-No. (AC), 50 Hz	Art-No. (AC), 60 Hz	Art-No. (V DC)
10 ... 30			3.300.811.351
20 ... 30	3.300.811.071	3.300.811.081	
36 ... 80			3.300.811.353
42 ... 48	3.300.811.072	3.300.811.082	
100 ... 130	3.300.811.074	3.300.811.084	3.300.811.381
187 ... 264	3.300.811.075	3.300.811.085	
360 ... 440	3.300.811.079	3.300.811.089	

- 1 Silver plated push on connector  $\varnothing$  1.5
- 2 Round pin  $\varnothing$  1.5 silver plated
- 4 Sealing

## Wiring diagrams

