

CODIX 544



Your benefit

- **Multipurpose device**
- **CODIX 541 ... 543 in just one device**
 - Display counter adding and subtracting
 - Position display
 - Frequency counter/rate meter
 - timer, res. up to 0,001 s
- the mode is programmable

Product features

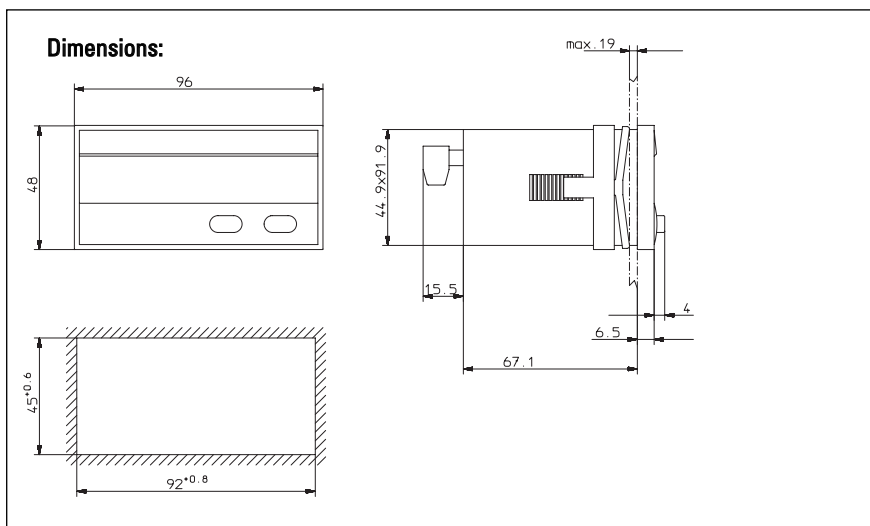
- Display range –199 999 ... 999 999 with zero blanking
 - Connection with screw terminal
 - Locking SET-Key for reset
 - Modern **CODIX**-Design
 - Programmable set value
- Option:**
Optocoupler-output at f = 0, e.g. operation indicator

Technical data

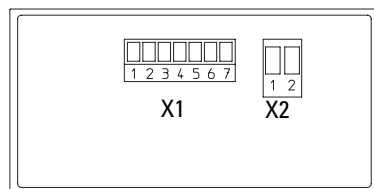
Supply voltage	10 ... 30 V DC, with reverse polarity protection 90 ... 260 V AC
Current consumption:	max. 50 mA, 6 VA
Display:	6 digit red 7 segment LED display; 14 mm high
Data backup:	EEPROM
Housing:	Dimension 96 x 48 mm according to DIN 43 700; RAL 7021, grey
Polarity of Inputs:	programmable, npn or pnp for all inputs
Input resistance:	appr. 10 kΩ
Counting frequency*:	60 kHz, can be damped to 30 Hz depending on operating mode at position display max. 25 kHz
Reset time:	5 ms
Resolution timer:	up to 0.001 s
Input switching level (standard version):	DC-version Low: 0 ... 0.2 x U _B [V DC] High: 0.6 x U _B ... 30 V DC

	AC-version
	Low 0 ... 4 V DC
	High 12 ... 30 V DC
Input switching level (5 V version):	Low: 0 ... 2 V DC High: 4 ... 30 V DC
Voltage supply for sensors	24 V DC ±15 %/100 mA at AC-versions
Accuracy:	Tacho meter: <0,1 % Timer < 50 ppm
Ambient temperature:	–20 ... +65 °C
Storage temperature:	–25 ... +70 °C
EMC:	according to EC EMC directive 89/36/EWG
Immunity to interference:	EN 61 000-6-4/EN 55 011 class B
Emitted interference:	EN 61 000-6-2
Protection:	IP65 (from front)
Weight:	appr. 150 g

*for further specifications please refer for the manual



Connections:



Connection 2

Pin	AC-version	DC-version
1	90 ... 260 V AC	0 V DC (GND)
2	90 ... 260 V AC	10 ... 30 V DC

Connection X1

Pin	AC-version	DC-version
1	Optocoupler-output Emitter	
2	Optocoupler-output Collector	
3	SET	
4	INP B	
5	INP A	
6	GNDout	n.c.
7	+24 Vout	n.c.

Delivery specification

- Digital display
- Mounting clip
- Seal
- Multilingual operating instructions

Order code:

6.544.01X.XX0

Output
1 = Optocoupler output
2 = no output

Input switching level
0 = Standard level
A = 5 V level

Voltage supply
0 = 90 ... 260 V AC
3 = 10 ... 30 V DC