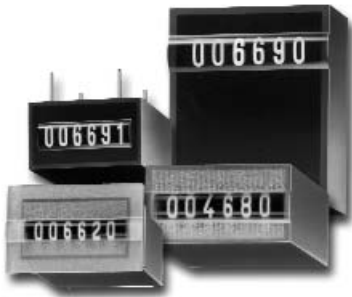


Micro Display counter K 66, K 67 shock- and magnetic field resistant



- 6/7-digit micro adding counter
- **not affected by magnetic fields as moving parts are made from plastic or non-ferrous metal (patented system).**
- **maximum shock resistance, as a counter-rotating movement is required for counting, ACR-system (patented).**
- Low power consumption; suitable for battery consumption
- small dimensions
- large optical figures
- Flush mount with integrated spring clip

- PCB-mount versions
- Solderable and wash proof
- Protection IP 65
- Stores value also at power failure
- Long service life

Applications

charge counting, kWh registration alarm systems, compact units, copiers, fuel dispensers, medical techniques, miniature pumps, dosing techniques, gates general event counting

Technical data:

Electrical Connection:	flush mount:	Flying leads AWG 22 appr. 150 mm
	PCB-mount:	solder pins \varnothing 0.64 mm
Power consumption: (at 20 °C)	up to 6 V DC:	appr. 70 mW
	at 12 V DC:	appr. 120 mW
	at 24 V DC:	appr. 500 mW
Rated voltage:	1.5/3/4.5/5/6/12/24 V DC -10% $+20\%$	
Counting frequency:	max. 10 Imp/s (type 0)	
Pulse duration:	min. 50 ms	
Pulse interval:	min. 50 ms	
Cycle duration factor:	100 %	
Number of digits:	6 (K 66), 7 (K 67)	
Counting system:	adding	
Hight of figures:	K 66: 4 x 1.7 mm K 67: 4 x 1,25 mm optical	
Colour of figures:	white on black	
Reset:	no reset	
Ambient temperature:	$-10 \dots +60$ °C	
Mounting position:	number wheel view horizontal	

Operating life:	$> 50 \times 10^6$ pulses
solderable and wash proof types	K 66.80, K 66.90, K 66.91, K 66.94, K 66.95 K 67.80, K 67.90, K 67.91
Protection:	IP 65 (K 66.20, K 67.20: only front side)
Housing:	clear plastic types with protection IP 65 are sealed
Weight	9 ... 11 g

Options

- K 66.20, K 66.80, K 67.20, K 67.80: flat pin 0.8 x 2,8 mm and push on connectors
 K 66.20, K 67.20: solder pins \varnothing 0.64 mm
 K 66.9x ... 71, K 67.9x ... 71: types with spacer (High 6 mm Draw.1)
 Further options:
 – different voltages
 – counting frequency > 10 Imp/s
 – different colour of figures
 – extended temperature range
 $-30 \dots +85$ °C or $-20 \dots +70$ °C

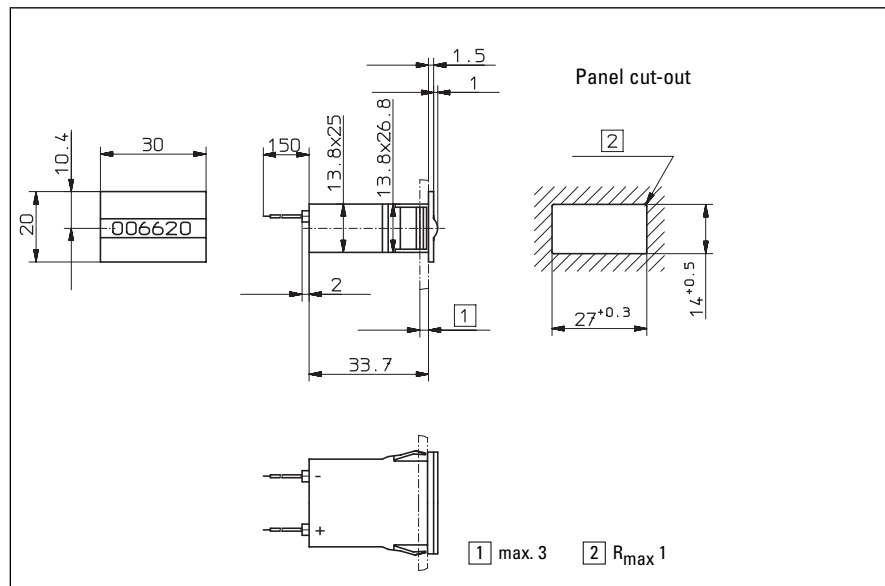
Series:

Type	Display	el. Connection	Description
K66.20, K 67.20	Small side	Flying leads	Panel mount with latch
K66.80, K 67.80	Small side	Solder pins	PCB mount wash proof
K66.90, K 67.90	Large side	Solder pins	PCB mount wash proof
K66.91, K 67.91	Small side	Solder pins	PCB mount wash proof
K66.94	Large side	Solder pins	PCB mount wash proof
K66.95	Small side	Solder pins	PCB mount wash proof

Type K 66.20/K 67.20



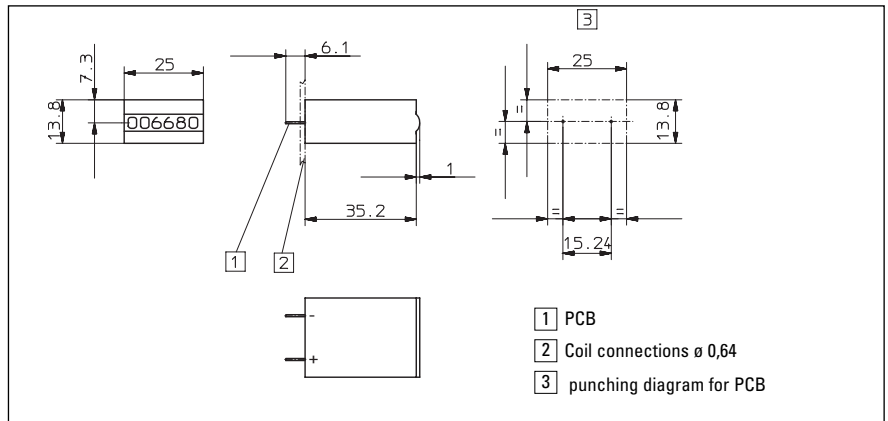
Order code see next page.



Type K 66.20/K 67.20

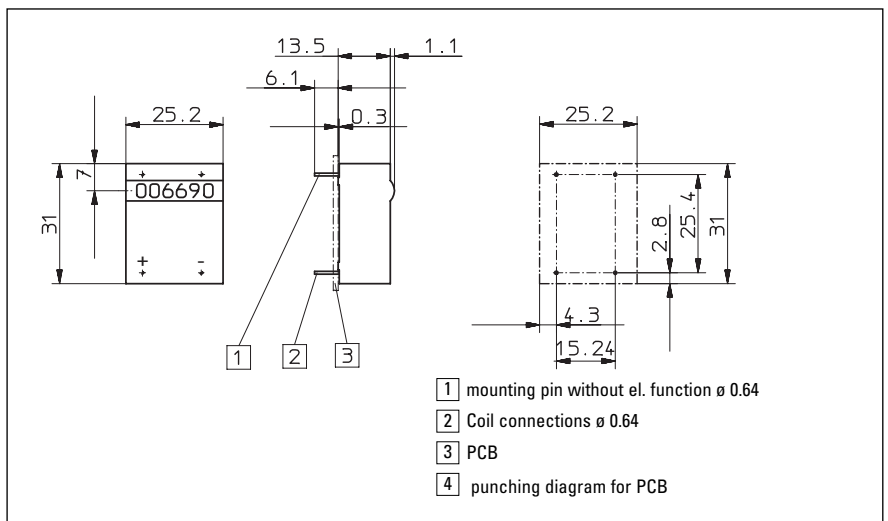
	1.5 V Art.-No.	3 V Art.-No.	4.5 V Art.-No.	5 V Art.-No.	6 V Art.-No.	12 V Art.-No.	24 V Art.-No.
K 66.20							
DC (10 imp/s)	1.650.200.002	1.650.200.006	1.650.200.008	1.650.200.009	1.650.200.010	1.650.200.012	1.650.200.013
K 67.20							
DC (10 imp/s)	1.660.200.002	1.660.200.006	1.660.200.008	1.660.200.009	1.660.200.010	1.660.200.012	1.660.200.013

Type K 66.80/K 67.80



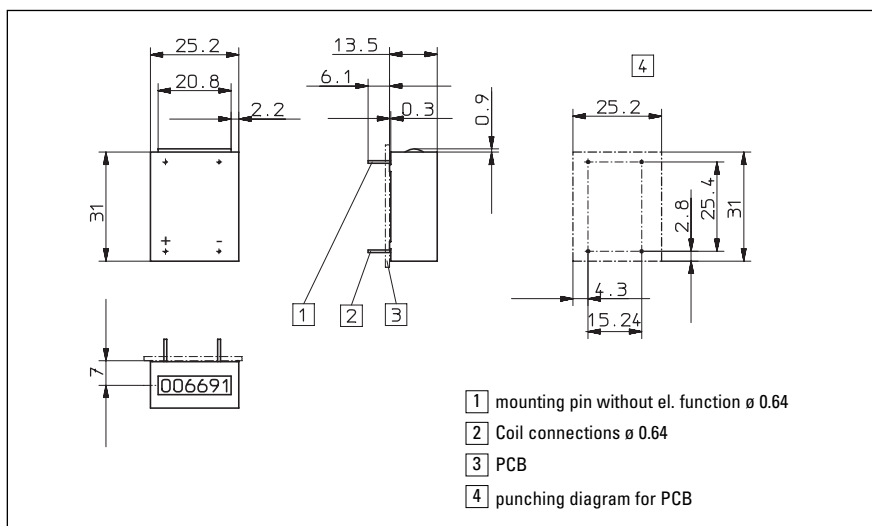
	1.5 V Art.-No.	3 V Art.-No.	4.5 V Art.-No.	5 V Art.-No.	6 V Art.-No.	12 V Art.-No.	24 V Art.-No.
K 66.80							
DC (10 imp/s)	1.650.800.002	1.650.800.006	1.650.800.008	1.650.800.009	1.650.800.010	1.650.800.012	1.650.800.013
K 67.80							
DC (10 imp/s)	1.660.800.002	1.660.800.006	1.660.800.008	1.660.800.009	1.660.800.010	1.660.800.012	1.660.800.013

Type K 66.90/K 67.90



	1.5 V Art.-No.	3 V Art.-No.	4.5 V Art.-No.	5 V Art.-No.	6 V Art.-No.	12 V Art.-No.	24 V Art.-No.
K 66.90							
DC (10 imp/s)	1.650.900.002	1.650.900.006	1.650.900.008	1.650.900.009	1.650.900.010	1.650.900.012	1.650.900.013
K 67.90							
DC (10 imp/s)	1.660.900.002	1.660.900.006	1.660.900.008	1.660.900.009	1.660.900.010	1.660.900.012	1.660.900.013

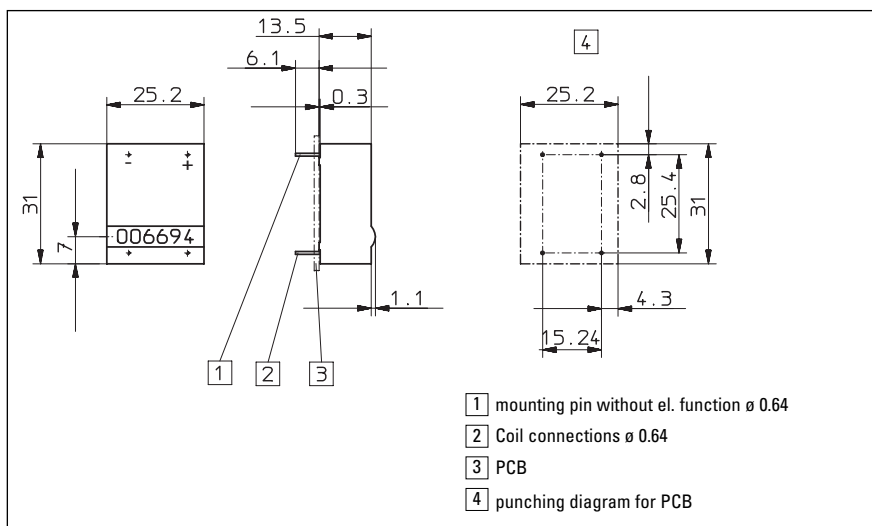
Type K 66.91/K 67.91



K 66.91	1.5 V	3 V	4.5 V	5 V	6 V	12 V	24 V
	Art.-No.	Art.-No.	Art.-No.	Art.-No.	Art.-No.	Art.-No.	Art.-No.
DC (10 imp/s)	1.650.910.002	1.650.910.006	1.650.910.008	1.650.910.009	1.650.910.010	1.650.910.012	1.650.910.013

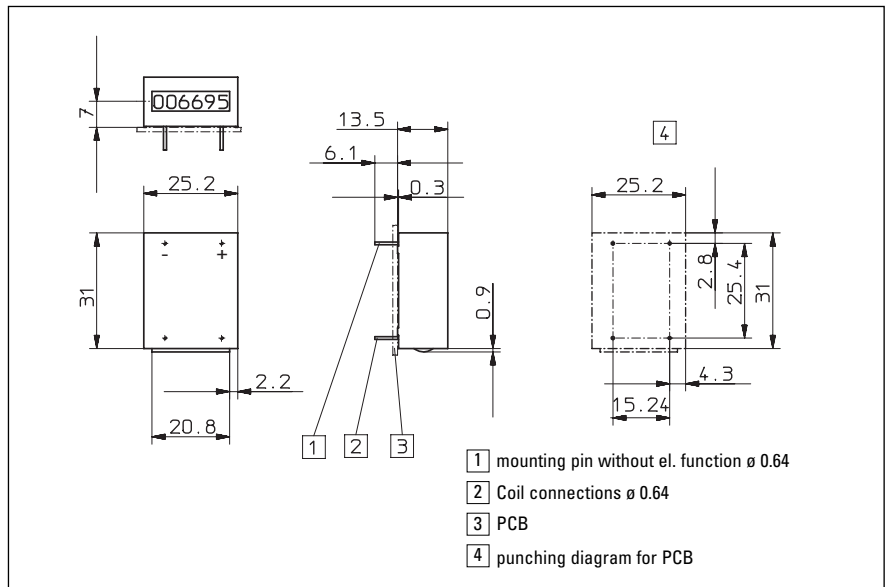
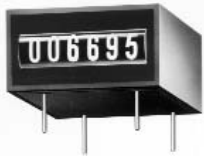
K 67.91	1.5 V	3 V	4.5 V	5 V	6 V	12 V	24 V
	Art.-No.	Art.-No.	Art.-No.	Art.-No.	Art.-No.	Art.-No.	Art.-No.
DC (10 imp/s)	1.660.910.002	1.660.910.006	1.660.910.008	1.660.910.009	1.660.910.010	1.660.910.012	1.660.910.013

Type K 66.94



K 66.94	1.5 V	3 V	4.5 V	5 V	6 V	12 V	24 V
	Art.-No.	Art.-No.	Art.-No.	Art.-No.	Art.-No.	Art.-No.	Art.-No.
DC (10 imp/s)	1.650.940.002	1.650.940.006	1.650.940.008	1.650.940.009	1.650.940.010	1.650.940.012	1.650.940.013

Type K 66.95



K 66.95	1.5 V Art.-No.	3 V Art.-No.	4.5 V Art.-No.	5 V Art.-No.	6 V Art.-No.	12 V Art.-No.	24 V Art.-No.
DC (10 imp/s)	1.650.950.002	1.650.950.006	1.650.950.008	1.650.950.009	1.650.950.010	1.650.950.012	1.650.950.013