

## CODIX 54P



### Your benefit

- Position and frequency display
- Key to switch between position- and frequency display
- Switching the display with key
- Programmable set value
- Scaling factor 0,0001 ... 99,9999
- Division factor 0,0001 ... 99,9999

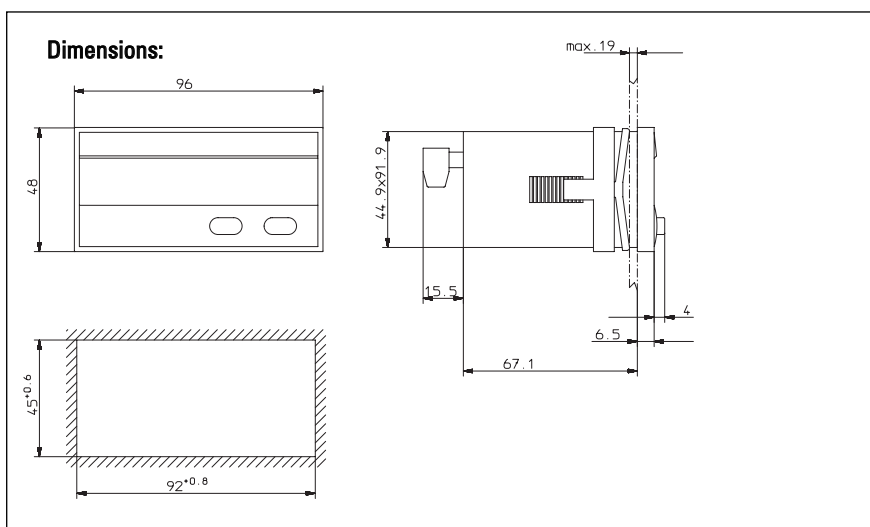
### Product features

- Display range -199999 ... 999 999 with zero blanking
- Connection with screw terminal
- Locking SET-Key for reset
- Modern **CODIX**-Design
- Separated inputs of position and frequency display

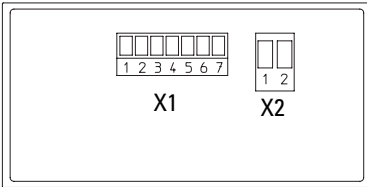
### Technical data

Supply voltage	10 ... 30 V DC, with reverse polarity protection 90 ... 260 V AC	AC version:	Low 0 ... 4 V DC High 12 ... 30 V DC
Current consumption:	max. 50 mA, 6 VA	Input switching level (5 V version):	High 0 ... 2 V DC Low 4 ... 30 V DC
Display:	6 digit red 7 segment LED display; 14 mm high	Voltage supply for sensors:	24 V DC $\pm 15\%$ / 100 mA at AC version
Data backup:	EEPROM	Ambient temperature:	-20 ... +65 °C
Housing:	Dimension 96 x 48 mm according to DIN 43 700; RAL 7021, grey	Storage temperature:	-25 ... +70 °C
Polarity of Inputs:	programmable, npn or pnp for all inputs	EMC:	according to EC EMC directive 89/36/EWG
Input resistance:	appr. 5 k $\Omega$	Immunity to interference:	EN 61 000-6-4/EN 55 011 class B
Counting frequency*:	max. 30 kHz, can be damped to 30 Hz depending on operating mode	Emitted interference:	EN 61 000-6-2
Reset time:	5 ms	Protection:	IP65 (from the front)
Input switching level (standard version):	DC version: Low: 0 ... 0.2 x U <sub>B</sub> [V DC] High: 0.6 x U <sub>B</sub> ... 30 V DC	Weight:	appr. 150 g

\*for further specifications please refer to the manual



### Connections:



### Connection X2

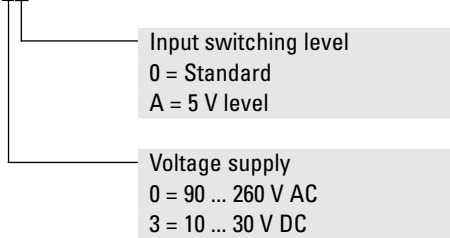
Pin	AC version	DC version
1	90 ... 260 V AC	0 V DC (GND)
2	90 ... 260 V AC	10 ... 30 V DC

### Connection X1

Pin	AC version	DC version
1	n.c.	
2	n.c.	
3	INP C (Frequency)	
4	INP B (Count)	
5	INP A (Count)	
6	GNDout	n.c.
7	+24 Vout	n.c.

### Order code:

6.54P.012.XX0



### Delivery specification

- Digital display
- Mounting clip
- Seal
- Multilingual operating instructions