

## CODIX 541



### Your benefit

- **Totalizer and position indicator in ONE**
- Voltage output for AC version
- 2 Count inputs
- Scaling factor 0,0001 ... 99,9999
- Division factor 0,0001 ... 99,9999
- 2 count inputs with count direction input
- Differenzzählung von beiden Eingängen up.down Mode
- Summenbildung von beiden Eingängen up.up Mode

- Phase discriminator with pulse doubling oder Vervierfachung

### Product features

- Display range -199999 ... 0 ... 999999 with zero blanking
- Connection with screw terminal
- Locking SET-Key for reset
- Programmable set value

### Options:

- Optocoupler output if count value  $\leq 0$

### Technical data

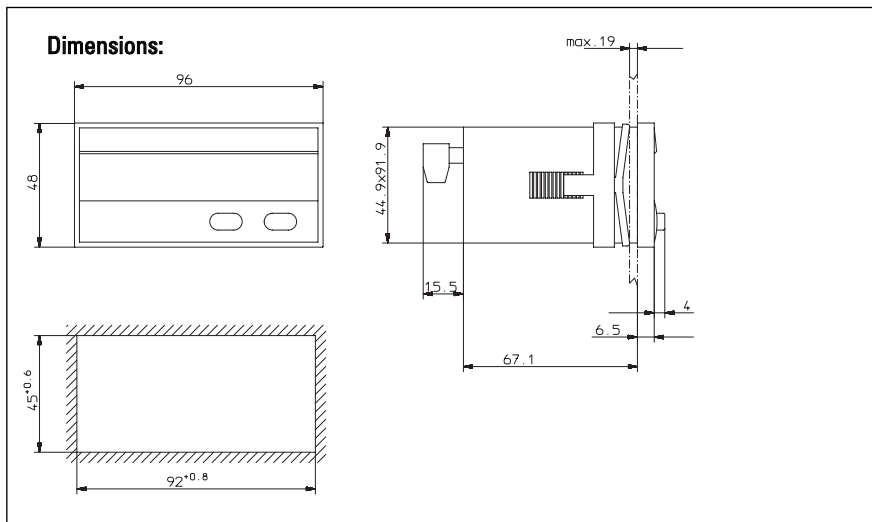
Supply voltage	10 ... 30 V DC, with reverse polarity protection 90 ... 260 V AC
Current consumption:	max. 50 mA, 6 VA
Display:	6-digit red 7 segment LED display; 14 mm high
Data backup:	EEPROM
Housing:	Dimension 96 x 48 mm according to DIN 43 700; RAL 7021, grey
Polarity of Inputs:	programmable, npn or pnp for all inputs
Input resistance:	appr. 5 k $\Omega$
Counting frequency*:	max. 60 kHz, can be damped to 30 Hz, depending on operating mode at position display max. 25 kHz
Reset time:	5 ms
Input switching level (standard version):	DC-version Low: 0 ... 0.2 x U <sub>B</sub> [V DC] High: 0.6 x U <sub>B</sub> ... 30 V DC

### AC-version

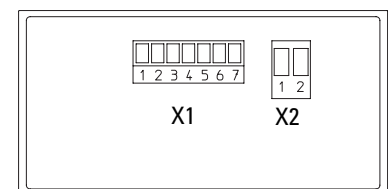
Low 0 ... 4 V DC  
High 12 ... 30 V DC

Input switching level (5 V version):	Low 0 ... 2 V DC High 4 ... 30 V DC
Voltage supply for sensors	24 V DC $\pm 15\%$ / 100 mA for AC version
Max power consumption	max. 30 V, 10 mA
Optocouplers:	
Ambient temperature:	-20 ... +65 °C
Storage temperature:	-25 ... +70 °C
EMC:	according to EC EMC directive 89/36/EWG
Immunity to interference:	EN 61000-6-4/EN 55011 class B
Emitted interference:	EN 61000-6-2
Protection:	IP65 (front)
Weight:	appr. 150 g

\*for further specifications please refer to the manual



### Connections:



### Connection: X2

Pin	AC-version	DC-version
1	90 ... 260 V AC	0 V DC (GND)
2	90 ... 260 V AC	10 ... 30 V DC

### Connection X1

Pin	AC-version	DC-version
1	Optocoupler-output Emitter	
2	Optocoupler-output Collector	
3	Set	
4	INP B	
5	INP A	
6	GNDout	n.c.
7	+24 Vout	n.c.

### Delivery specification

Digital display  
Mounting clip  
Seal  
Multilingual operating instructions

### Order code:

6.541.01X.XX0

