

CODIX 525



Your benefit

- **Totalizer and frequency counter**
- Frequency display changeable between 1/s and 1/min
- separate scaling factor for pulse counter and Rate meter
- 2 keys to switch over between the two functions
- Period duration measurement (average value at high frequency)

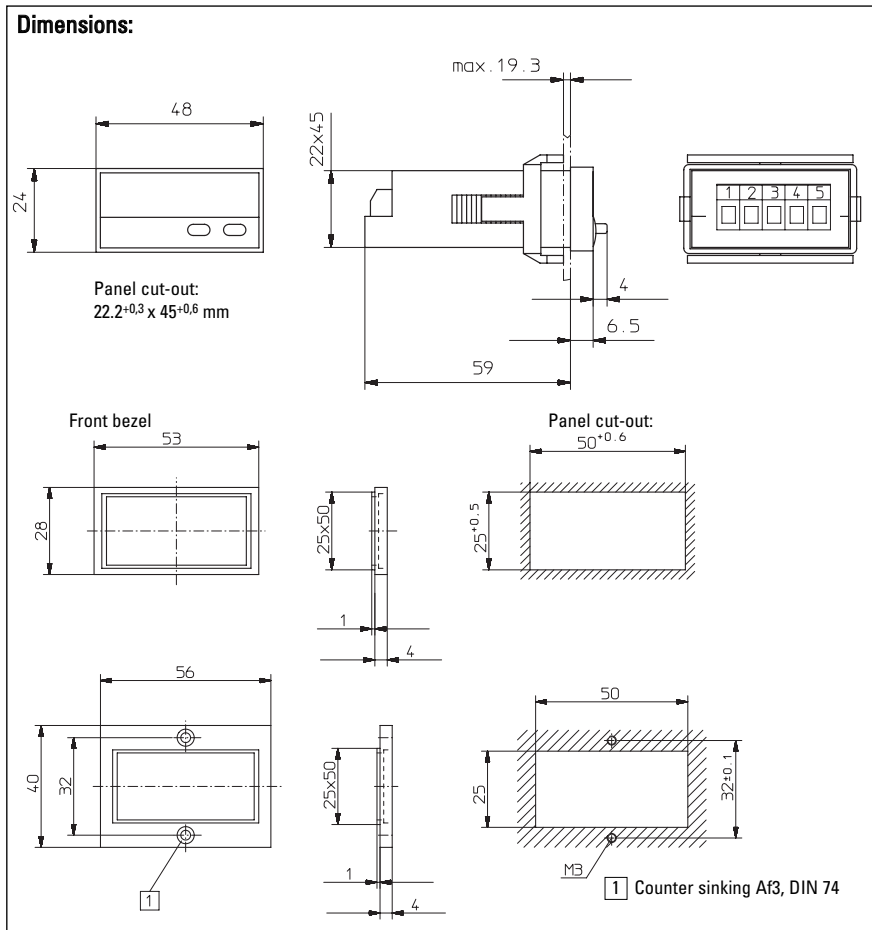
Product features

- Display range 0 ... 999 999 with zero blanking
- Screw terminal
- Locking SET-Key
- Modern **CODIX**-Design

Technical data

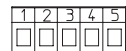
Supply voltage:	10 ... 30 V DC, with reverse polarity protection	Level of inputs:	Low: 0 ... 0.2 x U _B [V DC] High: 0.6 x U _B ... 30 V DC
Current consumption:	max. 50 mA	Accuracy:	<0.1 % (Frequency/Rate meter)
Display:	6 digit red 7-segment LED's; 8 mm high	Ambient temperature:	-10 ... +50 °C
Data backup:	EEPROM	Storage temperature:	-25 ... +70 °C
Housing:	Dimension 48 x 24 mm according to DIN 43 700; RAL 7021, grey	EMC:	according to EC EMC directive 89/36/EWG
Polarity of Inputs:	programmable, npn or pnp for all	Immunity to interference:	EN 61000-6-4/EN 55011 class B
Input resistance:	appr. 10 kΩ	Emitted, interference:	EN 61000-6-2
Counting frequency:	20 kHz, can be damped to 30 Hz	Protection:	IP65 (front)
Reset time:	5 ms	Weight:	appr. 50 g

Dimensions:



Connections:

- 1 10 ... 30 VDC
- 2 0 V GND
- 3 INP
- 4 -
- 5 RESET



Delivery specification

- 1 Digital display
- 1 Panel mounting clip
- 1 Bezel for screw mounting, panel cut out 50 x 25 mm
- 1 Bezel for clip mounting, panel cut out 50 x 25 mm
- 1 Seal
- 1 Multilingual operating instructions

Order code: 6.525.012.300