

## **CODIX 520**



### Your benefit

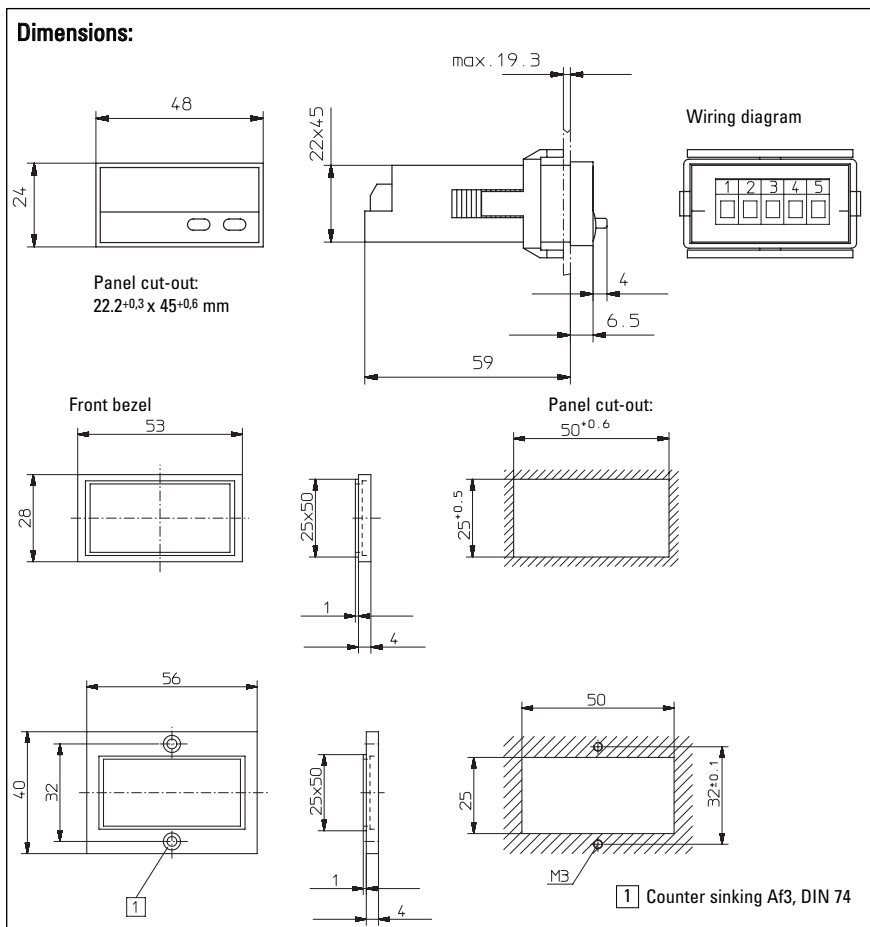
- **simple totalizer**
- low cost
- easy programming and operating
- Counting frequency up to 20 kHz
- any input signal because of Schmitt-Trigger

### Product features

- Display range 0 ... 999999 with zero blanking
- locking SET-Key for reset
- Connection to screw terminal
- Modern **CODIX**-Design

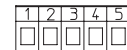
### Technical data

Supply voltage:	10 ... 30 V DC, with reverse polarity protection	Level of inputs	Low: 0 ... 0.2 x U <sub>B</sub> [V DC] High: 0.6 x U <sub>B</sub> ... 30 [V DC]
Current consumption:	max. 50 mA	EMC:	according to EC EMC directive 89/36/EWG
Display:	6 digit red 7-segment LED's; 8 mm high	Immunity to interference:	EN 61 000-6-4/EN 55011 class B
Data backup:	EEPROM	Emitted interference:	EN 61 000-6-2
Housing:	Dimension 48 x 24 mm according to DIN 43 700; RAL 7021, grey	Ambient temperature:	-10 ... +50 °C
Polarity of inputs:	programmable, npn or pnp for all inputs	Storage temperature	-25 ... +70 °C
Input resistance:	appr. 10 kΩ	Protection:	IP65 (front)
Counting frequency:	20 kHz, can be damped to 30 Hz	Weight:	appr. 50 g
Reset time:	5 ms		



### Connections:

- 1 10 ... 30 VDC
- 2 0 V GND
- 3 INP
- 4 -
- 5 Reset



### Order Code and delivery specification:

**CODIX 520:** Art.-No: 6.520.012.300

### Scope of delivery:

- 1 Digital display
- 1 Panel mounting clip
- 1 Bezel for screw mounting, panel cut out 50 x 25 mm
- 1 Bezel for clip mounting, panel cut out 50 x 25 mm
- 1 Seal
- 1 Multilingual operating instructions