

CODIX 54U



Your benefit

- **Universal with the following double functions**
 - adding and frequency counter
 - counter with 2 adding ranges
 - one adding counter and one timer
 - counter with 2 time ranges
- Key to switch between the functions
- Separate scaling factor for counter and rate meter
- Frequency display in 1/s or 1/min

- Key to switch between counter and rate meter
- At higher frequencies measurement of periods by reporting the average value

Product features

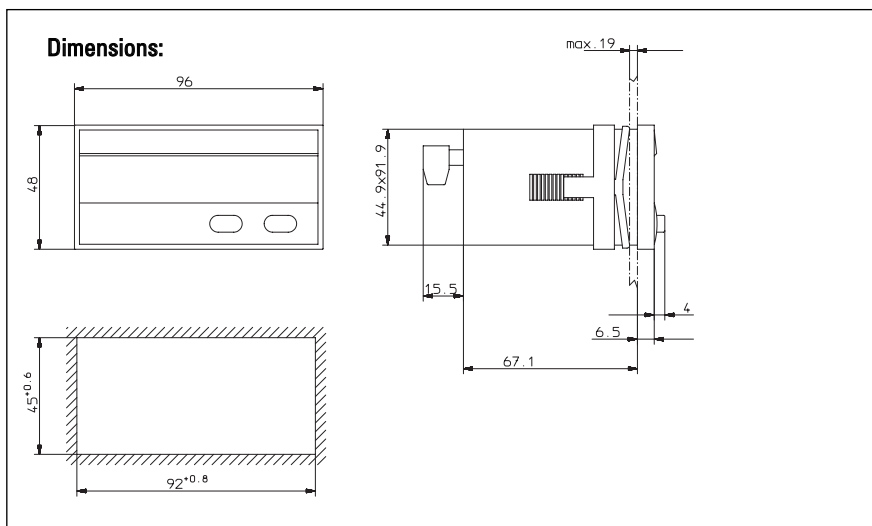
- Display range 0 ... 999 999 with zero blanking
- Connection with terminal
- Locking SET-Key for reset
- Modern **CODIX**-Design

Technical data

Supply voltage	10 ... 30 V DC, with reverse polarity protection 90 ... 260 V AC
Current consumption:	max. 50 mA, 6 VA
Display:	6 digit red 7 segment LED display; 14 mm high
Data backup:	EEPROM
Housing:	Dimension 96 x 48 mm according to DIN 43 700; RAL 7021, grey
Polarity of Inputs:	programmable, npn or pnp for all inputs
Input resistance:	appr. 5 k Ω
Counting frequency*:	60 kHz, can be damped to 30 Hz depending on operating mode
Reset time:	5 ms
Input switching level (standard version):	DC-version: Low: 0 ... 0.2 x U _B [V DC] High: 0.6 x U _B ... 30 V DC

AC-version:	Low 0 ... 4 V DC High 12 ... 30 V DC
Input switching level (5 V version):	Low 0 ... 2 V DC High 4 ... 30 V DC
Voltage supply for sensors:	24 V DC \pm 15 %/100 mA at AC version
Accuracy:	<0.1 % (Frequency display/Rate meter)
Ambient temperature:	-20 ... +65 °C
Storage temperature:	-25 ... +70 °C
EMC:	according to EC EMC directive 89/36/EWG
Immunity to interference:	EN 61 000-6-4/EN 55 011 class B
Emitted interference:	EN 61 000-6-2
Protection:	IP65 (from front)
Weight:	appr. 150 g

*for further specifications please refer to the manual



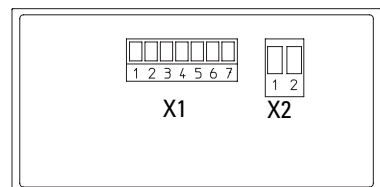
Order code:

6.54U.012.XX0

Input switching level
0 = Standard
A = 5 V level

Power supply
0 = 90 ... 260 V AC
3 = 10 ... 30 V DC

Connections:



Connection: X2

Pin	AC-version	DC-version
1	90 ... 260 V AC	0 V DC (GND)
2	90 ... 260 V AC	10 ... 30 V DC

Connection: X1

Pin	AC-Version	DC-Version
1	n.c.	
2	n.c.	
3	Reset	
4	INP B	
5	INP A	
6	GNDout	n.c.
7	+24 Vout	n.c.

Delivery specification

Digital display
Mounting clip
Seal
Multilingual operating instructions