

Totalizer B 15 - B 18 with and without reset



- B 15..1 and B 16..1, 5 resp. 6 digit Totalizer with manual Reset
- B 15..0, B 16..0 and B 18..0, 5, 6 and 8 digit Totalizer without reset
- Counters without front panel fit into front frames F1B and F2B. The latter can accommodate combination of count with dimensions of 50 x 50 mm
- Combined with preset counter of Type series B Va and H Va.
- very high operating life (200 Mio. pulses)

Applications

counting number of pieces, events, periods

Technical data:

Electrical Connection:	Pin \varnothing 1.6 mm with push on connector (count mechanism) for flying leads 0,5 ... 1,0 mm ² Flat pin 0.8 x 2.8 mm (socket box)		
Rated voltage:	type 0/1/a: 12/24/48/115/230 V DC \pm 10 % 24/48/115/230 V AC \pm 10 %		
Colour of counter:	grey		
Hight of figures	B 15	2.4 x 4.5 mm	
	B 16	2 x 4.5 mm	
	B 18	2 x 4 mm	
Colour of figures:	white on black		
Shaft:	stainless steel		
Mounting position	any		
Operating life:	appr. 200 x 10 ⁶ pulses		
Wight:	without reset	81 g	
	with reset	83 g	
	socket box	14 g	
Test voltage:	2000 V ~ effective, according to VDE 0435		
Accessories:			
Transparent cover:	Protection IP 55 according to DIN 400050 from front side when cover is closed. Gasket: oil and gasoline resistant synthetic rubber especially suitable for acids and electrolytes, good resistance to ageing		

Options:	– Colour of housing: black (For Art.-No. ref. to type)
	– Electr. Connection at counter: flat pins 0.8 x 2.8 mm with push on connectors Art.-No. 1.2X7.XXX.XXX Screw terminal 1.2.XXX.XXX.023
	– Connection with flying leads
	– Extended temperature range
	– Key looking zero reset
	– Knob locking tranparent cover a.) Counter with front bezel size No. 3 Art.-No. 1.2X0.7XX.XXX b.) Counter with front frame F 1 Art.-No. 1.2X1.7XX.XXX
	– knob locking with tranparent cover a.) Counter with front bezel size No. 3 Art.-No. 1.2X0.8XX.XXX.XXX
	– Flexible sealing cover K 1 (IP 54) a.) Counter with front bezel size No. 3 Art.-No. 1.2X0.6XX.XXX
	Key for reset: G50 265

Series:

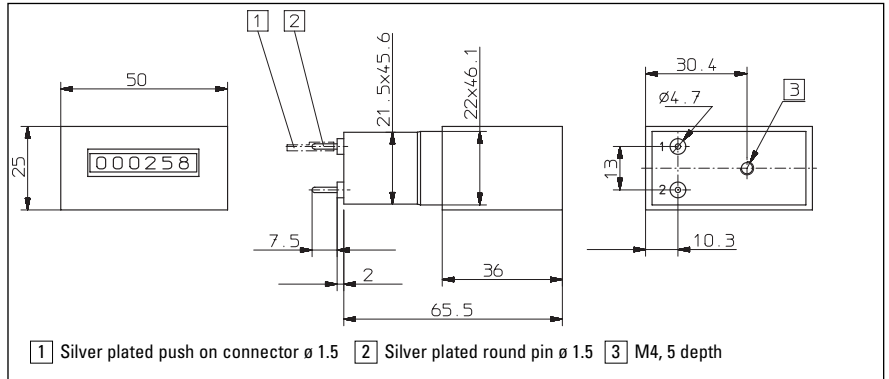
without reset		with reset		Description
6 digit	8 digit	5 digit	6 digit	
16.00	B 18.00	–	B 16.01	without front bezel, rear mounting plugs into socket box 945.2
B16.10	B 18.10	B 15.11	B 16.11	panel mount front bezel size No. 1, 2 mounting holes
B 16.20	B 18.20	B 15.21	B 16.21	panel mount with spring clip fastening
B 16.30	B 18.30	–	B 16.31	panel mount front bezel size No. 3, 2 mounting holes
F1 B 16.00	F1 B 18.00	–	F1 B 16.01	panel mount, plugs into frame F1 with socket box 945.2
			Dv B 16.31	panel mount front bezel size No. 3, knob locking transparent cover
			F1 Dv B 16.01	panel mount front frame F1, knob locking transparent cover
			Dvs B 16.31	panel mount, front bezel size No. 3, key looking transparent cover
			F1 Dvs B 16.01	panel mount front frame F1, key looking tranparent cover
			K1 B 16.31	panel mount, front bezel size No. 3, flexible sealing cover K1

Count mechanism:

Voltage	Mo- del	Max. Pulse- freq.	Min. Pulse- on time	Min.- Pulse- interval	Pulse ratio	On time	Power con- sumption	Max. perm ripple voltage	Ambient- temperature ° C
V DC	0	10/sec	60 ms	40 ms	3:2	100 %	appr. 1 W	48 %	-10
	1	25/sec	24 ms	16 ms	3:2	100 %	appr. 2 W	48 %	+ 60
V AC	a	18/sec	22.2 ms	33.3 ms	2:3	100%	appr. 2.9 VA		-10 ... + 55

Ordering information
– Article number
– For special voltages, please give type, voltage, kind of voltage and series e.g. B 16.31, 4.5 V DC, 0.

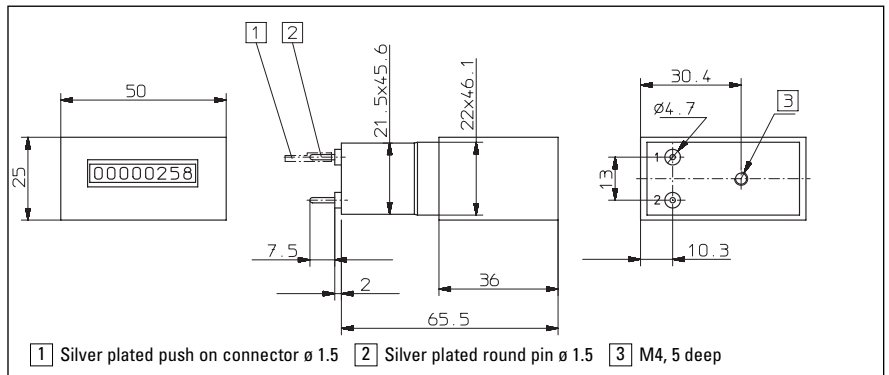
Type B 16.00



B 16.00 (6 digit)	12 V Art.-No.	24 V Art.-No.	115 V Art.-No.	230 V Art.-No.
DC (10 Imp/s)	1.230.002.012	1.230.002.013		
DC (25 Imp/s)	1.230.002.032	1.230.002.033		
AC (18 Imp/s)		1.230.002.061	1.230.002.064	1.230.002.066

Colour of housing black:
Art.-No. 1.230.001.XXX

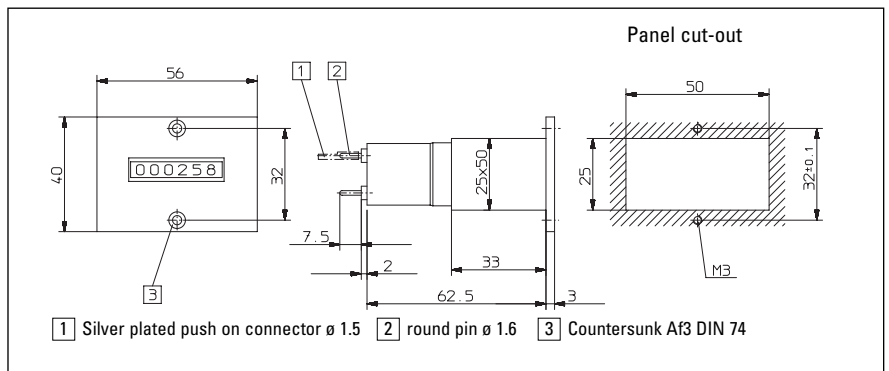
Type B 18.00



B 18.00 (8 digit)	12 V Art.-No.	24 V Art.-No.	115 V Art.-No.	230 V Art.-No.
DC (10 Imp/s)	1.260.002.012	1.260.002.013		
DC (25 Imp/s)	1.260.002.032	1.260.002.033		
AC (18 Imp/s)		1.260.002.061	1.260.002.064	1.260.002.066

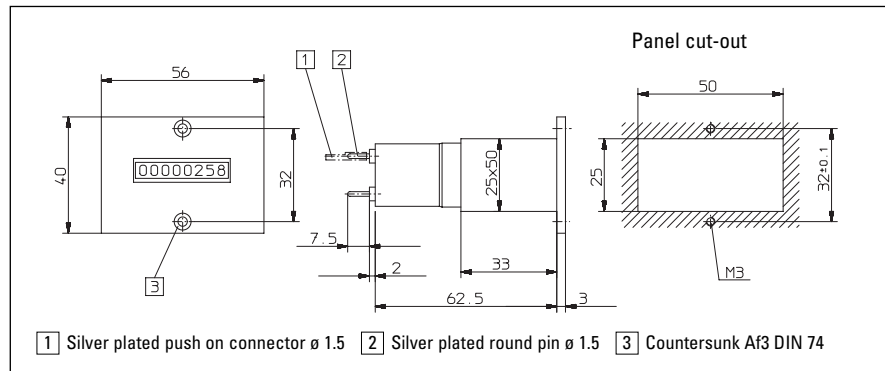
Colour of housing black:
Art.-No. 1.260.001.XXX

Type B 16.10



B 16.10 (6 digit)	12 V Art.-No.	24 V Art.-No.	115 V Art.-No.	230 V Art.-No.
DC (10 Imp/s)	1.230.100.012	1.230.100.013		
DC (25 Imp/s)	1.230.100.032	1.230.100.033		
AC (18 Imp/s)		1.230.100.061	1.230.100.064	1.230.100.066

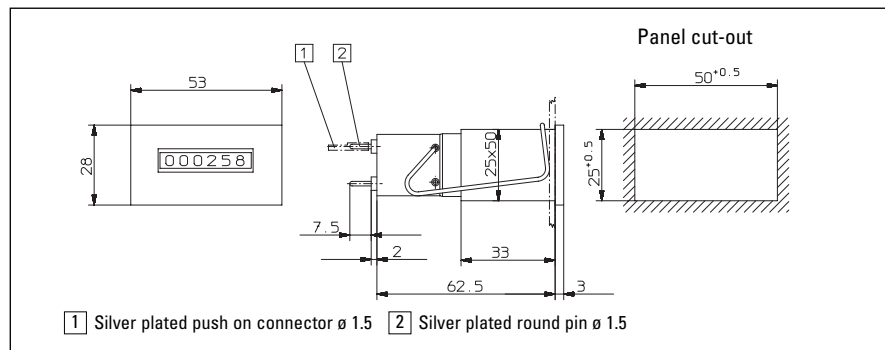
Type B 18.10



B 18.10 (8 digit)	12 V Art.-No.	24 V Art.-No.	115 V Art.-No.	230 V Art.-No.
DC (10 Imp/s)	1.260.100.012	1.260.100.013		
DC (25 Imp/s)	1.260.100.032	1.260.100.033		
AC (18 Imp/s)		1.260.100.061	1.260.100.064	1.260.100.066

Colour of housing black:
Art.-No. 1.260.101.XXX

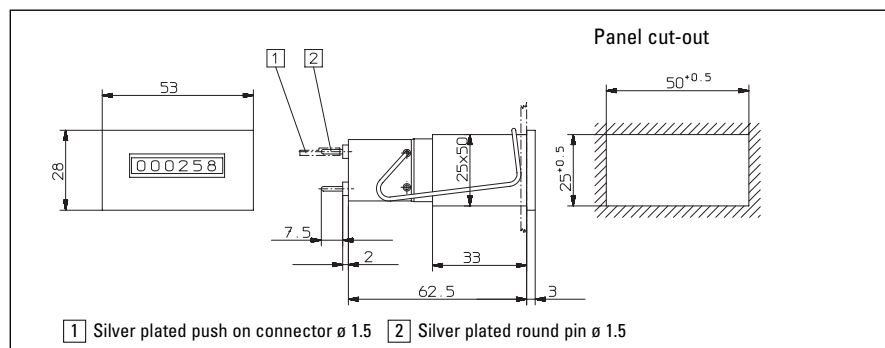
Type B 16.20



B 16.20 (6 digit)	12 V Art.-No.	24 V Art.-No.	115 V Art.-No.	230 V Art.-No.
DC (10 Imp/s)	1.230.200.012	1.230.200.013		
DC (25 Imp/s)	1.230.200.032	1.230.200.033		
AC (18 Imp/s)		1.230.200.061	1.230.200.064	1.230.200.066

Colour of housing black:
Art.-No. 1.230.201.XXX

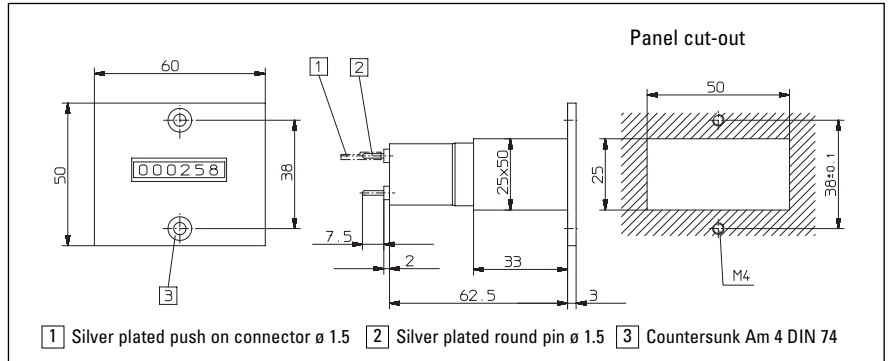
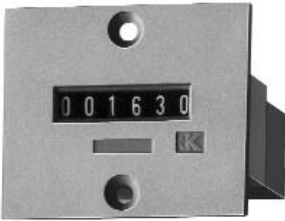
Type B 18.20



B 18.20 (8 digit)	12 V Art.-No.	24 V Art.-No.	115 V Art.-No.	230 V Art.-No.
DC (10 Imp/s)	1.260.200.012	1.260.200.013		
DC (25 Imp/s)	1.260.200.032	1.260.200.033		
AC (18 Imp/s)		1.260.200.061	1.260.200.064	1.260.200.066

Colour of housing black:
Art.-No. 1.260.201.XXX

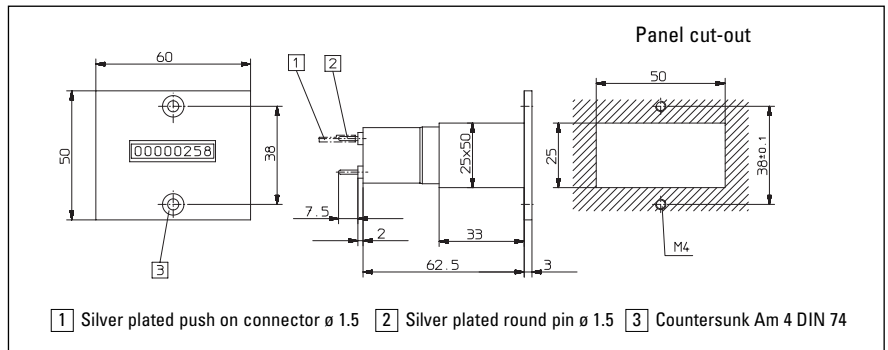
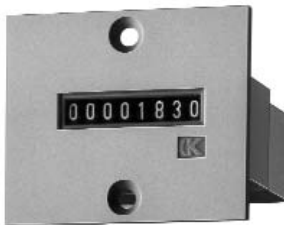
Type B 16.30



B 16.30 (6 digit)	12 V Art.-No.	24 V Art.-No.	115 V Art.-No.	230 V Art.-No.
DC (10 Imp/s)	1.230.300.012	1.230.300.013		
DC (25 Imp/s)	1.230.300.032	1.230.300.033		
AC (18 Imp/s)		1.230.300.061	1.230.300.064	1.230.300.066

Colour of housing black:
Art.-No. 1.230.301.XXX

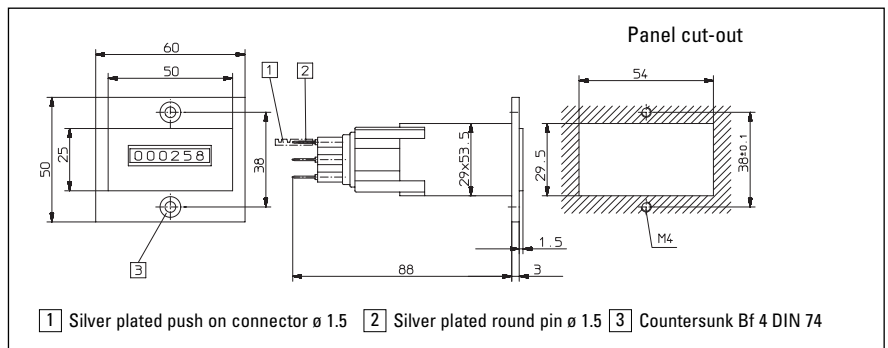
Type B 18.30



B 18.30 (8 digit)	12 V Art.-No.	24 V Art.-No.	115 V Art.-No.	230 V Art.-No.
DC (10 Imp/s)	1.260.300.012	1.260.300.013		
DC (25 Imp/s)	1.260.300.032	1.260.300.033		
AC (18 Imp/s)		1.260.300.061	1.260.300.064	1.260.300.066

Colour of housing black:
Art.-No. 1.260.301.XXX

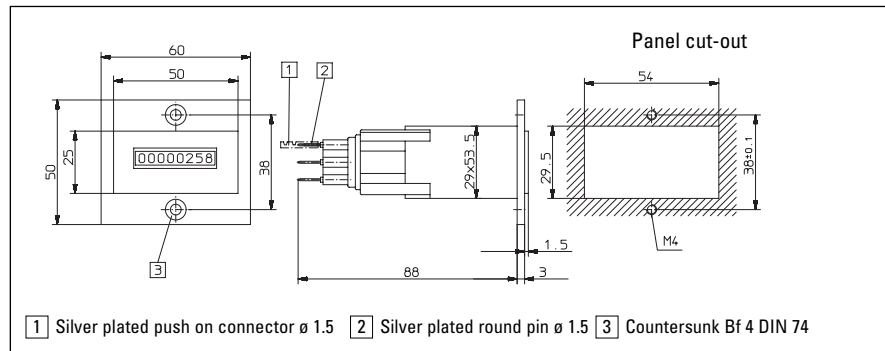
Type F1 B 16.00



F1 B 16.00 (6 digit)	12 V Art.-No.	24 V Art.-No.	115 V Art.-No.	230 V Art.-No.
DC (10 Imp/s)	1.231.502.012	1.231.502.013		
DC (25 Imp/s)	1.231.502.032	1.231.502.033		
AC (18 Imp/s)		1.231.502.061	1.231.502.064	1.231.502.066

Colour of housing black:
Art.-No. 1.231.501.XXX

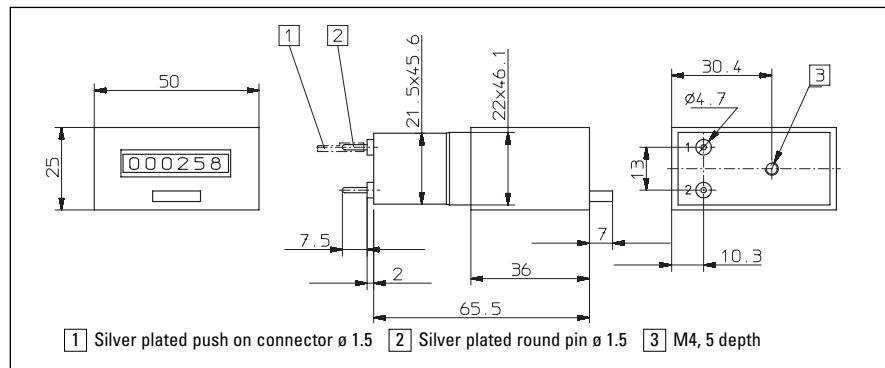
Type F1 B 18.00



F1 B 18.00 (8 digit)	12 V Art.-No.	24 V Art.-No.	115 V Art.-No.	230 V Art.-No.
DC (10 Imp/s)	1.261.502.012	1.261.502.013		
DC (25 Imp/s)	1.261.502.032	1.261.502.033		
AC (18 Imp/s)		1.261.502.061	1.261.502.064	1.261.502.066

Colour of housing black:
Art.-No. 1.261.501.XXX

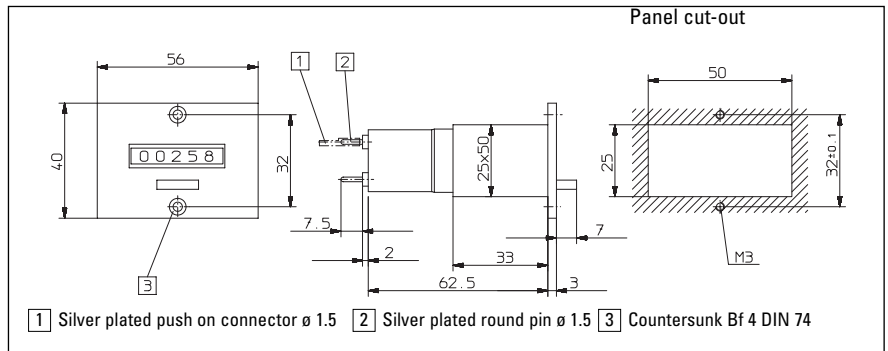
Type B 16.01



B 16.01 (6 digit)	12 V Art.-No.	24 V Art.-No.	115 V Art.-No.	230 V Art.-No.
DC (10 Imp/s)	1.230.012.012	1.230.012.013		
DC (25 Imp/s)	1.230.012.032	1.230.012.033		
AC (18 Imp/s)		1.230.012.061	1.230.012.064	1.230.012.066

Colour of housing black:
Art.-No. 1.230.011.XXX

Type B 15.11



B 15.11	12 V	24 V	115 V	230 V
(5 digit)	Art.-No.	Art.-No.	Art.-No.	Art.-No.
DC (10 Imp/s)	1.200.110.012	1.200.110.013		
DC (25 Imp/s)	1.200.110.032	1.200.110.033		
AC (18 Imp/s)		1.200.110.061	1.200.110.064	1.200.110.066

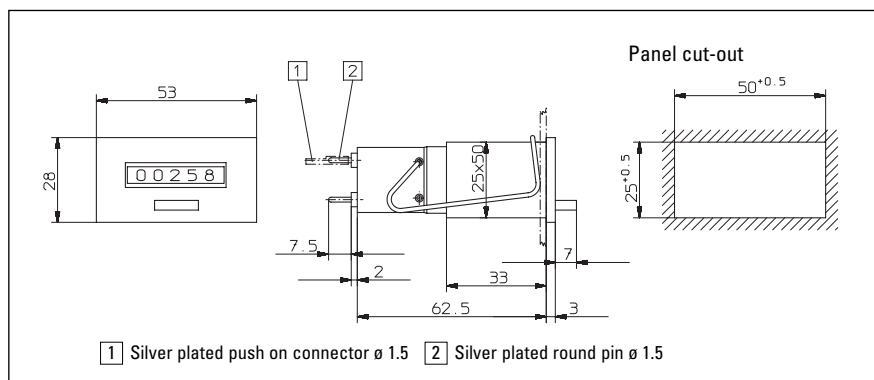
Type B 16.11



B 16.11	12 V	24 V	115 V	230 V
(6 digit)	Art.-No.	Art.-No.	Art.-No.	Art.-No.
DC (10 Imp/s)	1.230.110.012	1.230.110.013		
DC (25 Imp/s)	1.230.110.032	1.230.110.033		
AC (18 Imp/s)		1.230.110.061	1.230.110.064	1.230.110.066

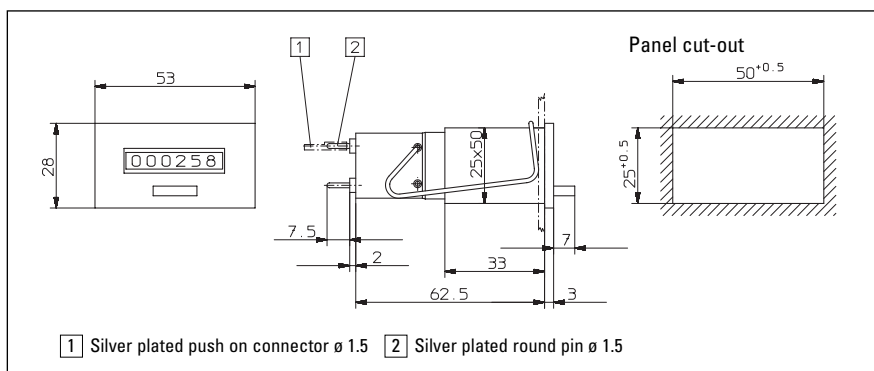
Colour of housing black:
Art.-No. 1.230.111.XXX

Type B 15.21



B 15.21 (5 digit)	12 V Art.-No.	24 V Art.-No.	115 V Art.-No.	230 V Art.-No.
DC (10 Imp/s)	1.200.210.012	1.200.210.013		
DC (25 Imp/s)	1.200.210.032	1.200.210.033		
AC (18 Imp/s)		1.200.210.061	1.200.210.064	1.200.210.066

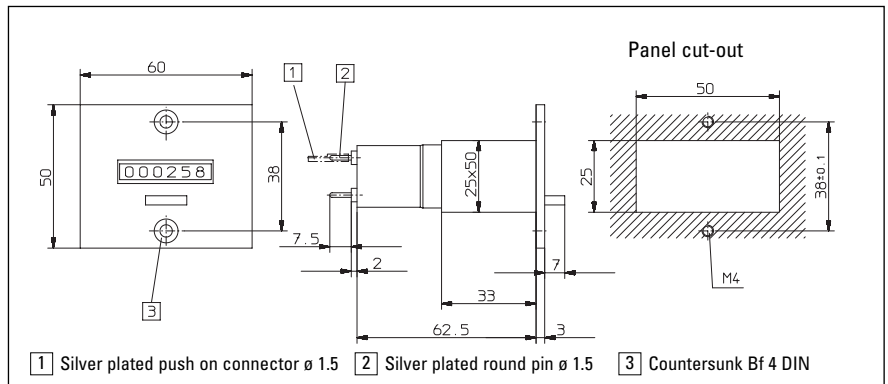
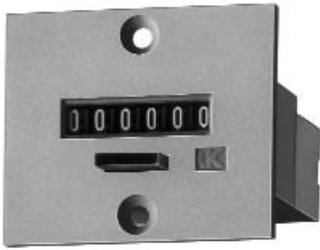
Type B 16.21



B 16.21 (6 digit)	12 V Art.-No.	24 V Art.-No.	115 V Art.-No.	230 V Art.-No.
DC (10 Imp/s)	1.230.210.012	1.230.210.013		
DC (25 Imp/s)	1.230.210.032	1.230.210.033		
AC (18 Imp/s)		1.230.210.061	1.230.210.064	1.230.210.066

Colour of housing black:
Art.-No. 1.230.211.XXX

Type B 16.31

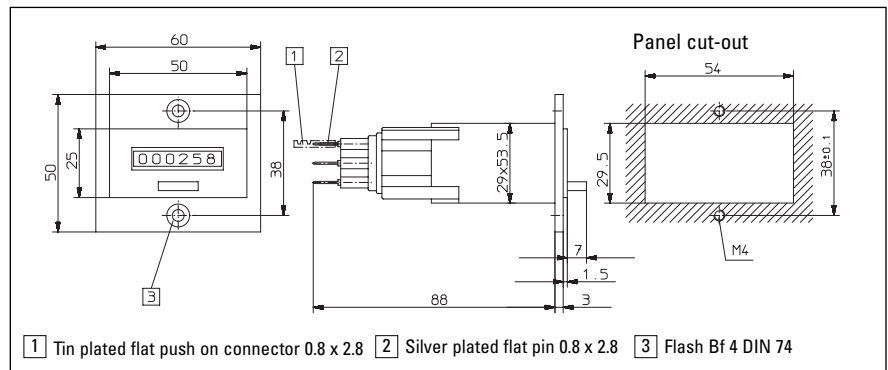


B 16.31 (6 digit)	12 V Art.-No.	24 V Art.-No.	115 V Art.-No.	230 V Art.-No.
DC (10 Imp/s)	1.230.310.012	1.230.310.013		
DC (25 Imp/s)	1.230.310.032	1.230.310.033		
AC (18 Imp/s)		1.230.310.061	1.230.310.064	1.230.310.066

Colour of housing black:
Art.-No. 1.230.311.XXX

Display counter

Type F1 B 16.01



F1 B 16.01 (6 digit)	12 V Art.-No.	24 V Art.-No.	115 V Art.-No.	230 V Art.-No.
DC (10 Imp/s)	1.231.512.012	1.231.512.013		
DC (25 Imp/s)	1.231.512.032	1.231.512.033		
AC (18 Imp/s)		1.231.512.061	1.231.512.064	1.231.512.066

Colour of housing black:
Art.-No. 1.231.511.XXX



B 15.21 vs



DvS B 16.31



Dv B 16.31



K1B 15.31



945.2