

LCD-Totalizer 185



- 8 digit totalizer with LCD display
- Clearly readable due to leading zero blanking
- Power supply and data retention by an integrated lithium battery up 10 years at 20 °C ambient temperature
- Slow speed count input max. 30 Hz, e.g. for mechanical contacts
- High speed input (NPN) up to 2,5 kHz
- Manual and electrical reset
- Reset button to be enabled
- DIN housing 48 x 24 mm with clip mount

- additional bezel for screw mount
- Front IP 65 protected

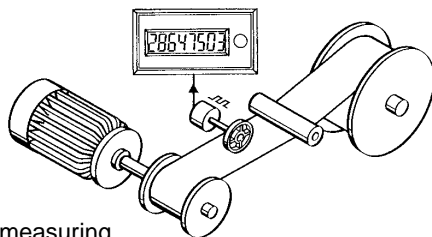
Applications

- General counting
- Devices without power supply
- Counting directly from contact closure

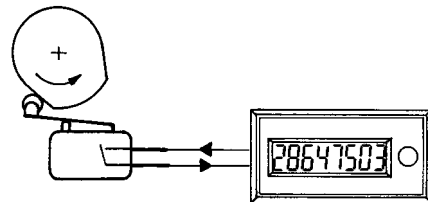
Technical data:

Power supply:	internal lithium battery (appr. 10 Years at 20 °C)	Input sensitivity for count inputs:	
Display:	LCD, 8 digit, 7 mm high characters	Low:	0 ... 0.7 VDC
Counting mode:	adding	High:	3 ... 18 VDC
Count range:	9999999, roll over to 0	Count input (Type 0.185.012.830)	
Inputs:		Max. count frequency:	18 Hz
Reset:	static reset input; no counting while this input is connected to zero min. pulse length: 25 ms	min. pulse time:	28 ms
	Contact closure/open collector npn (switching to 0)		triggered at high signal
Reset enable:	electrical enabling of the reset button contact closure input switching to 0 V (link to 0 V to enable reset button)	Input sensitivity:	
Count inputs: (Type 0.185.012.830)		Low:	< 1 V AC/V DC
Slow speed count input		High:	5 ... 240 V AC/V DC
Max. count frequency:	30 Hz	Immunity to interference:	EN 50081-1
min. pulse length:	16 ms	Emitted interference:	EN 55022 Class B
	negative edge triggered (npn)	Colour of housing:	black
High speed count input		Ambient temperature:	-10 °C...+60 °C
Max. count frequency:	2.5 kHz	Storage temperature:	-10 °C...+60 °C
min. pulse time:	0.2 ms	Protection:	IP 65 from front
	negative edge triggered (npn)	Weight:	0.185.012.830: 30 g 0.185.012.831: 42 g

Applications:



Length measuring



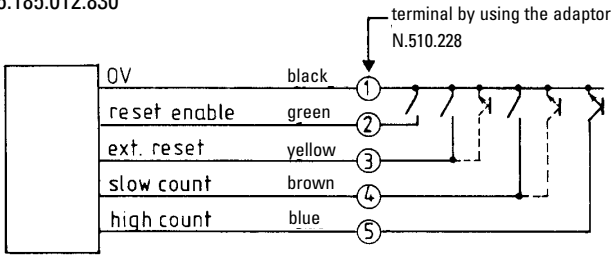
Contact closure

Series

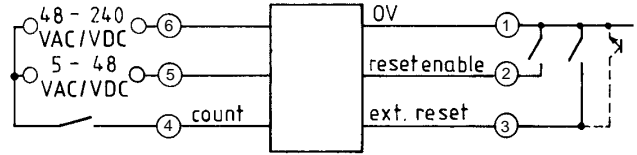
Type	voltage level	Count inputs		mode of connection
		slow speed	high speed	
0.185.012.830	3 ... 18 VDC	30 Hz	2.5 kHz	plug on connector with 25 cm flying leads*
0.185.012.831	5 ... 240 VAC/VDC	18 Hz	—	screw terminal

* Screw terminal adaptor type N.510.228

6.185.012.830

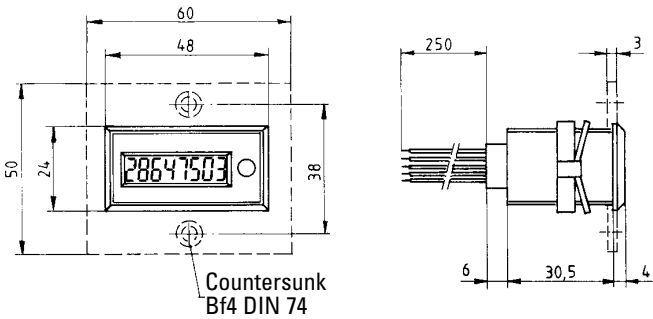


0.185.012.831

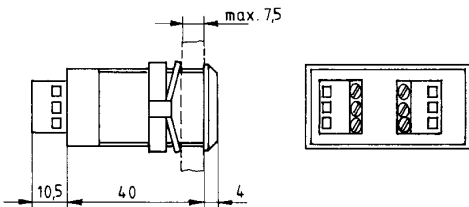


Dimensions::

0.185.012.830



0.185.012.831



Ordering code:

- 0.185.012.830 (Flying leads, voltage 3 ...18 V DC)
- 0.185.012.831 (screw terminal, voltage 5 ... 240 V AC/V DC)

Delivery includes

- Counter with clip mount
- mounting bezel for screw terminal

Accessories:

- adaptor for screw terminal connection **N.510.228** suitable for counter type 0.185.012.830.
- Screw terminal adaptor **N.510.229** for high voltage input pulses from 5 ... 240 V AC/DC suitable for type 0.185.012.830
- (Refitting from counter 0.185.012.830 to 0.185.012.831)