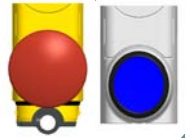


Data Sheet

core module:

emergency stop / start / restart



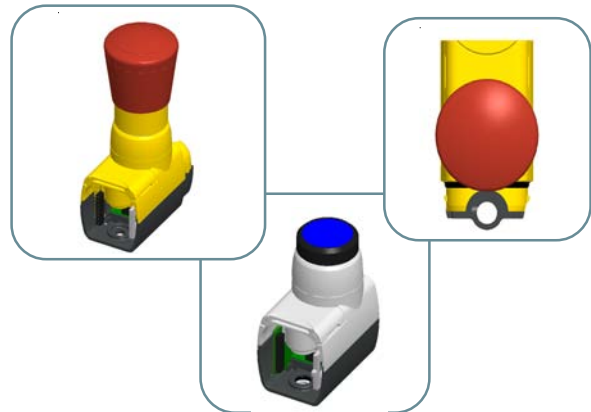
Total Access & Control

eGard offers "Total access & control". The innovative modular design allows configurations of purely safety gate switches, purely trapped key interlocks, purely machine control stations or any combinations of all three.

description:

emergency stop - emergency stop module, standard twist to release and dual safety contacts. Also available with a monitoring contact.

start restart - module has blue pushbutton operating on safety circuits to provide momentary change of state to wire directly into safety relay reset circuit.



emergency stop options:

twist release e-stop

ES



e-stop with monitoring

EM



start / restart for safety relay re-set

SR



part number

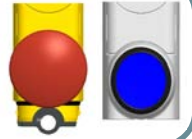
part number

www.fortressinterlocks.com

= This is a **Control** Module

= This is a **Safety** Module

Technical Data core module: emergency stop / start / restart



technical specification

e-stop monitored & e-stop non monitored

Housing Material	PBT
Colour	Yellow & Dark Grey
Ingress Protection	IP65
Mechanical Life	300000 Operations
Electrical Life	300000 Operations
Maximum Frequency of Operations	1 per second
Ambient Temperature	-5°C to + 40 °C
Switches Conformance	IEC 60947-5-1
Switching Contact Element	
e-stop monitored	2 NC & 1 NO
e-stop non monitored	2 NC
Switching Principle	Positive Break
Switching Current	Refer to base module spec
Switching Voltage	Refer to base module spec
Isolating Distance	2mm per switch element
Contact Material	90% Silver and 10% Nickel

start restart

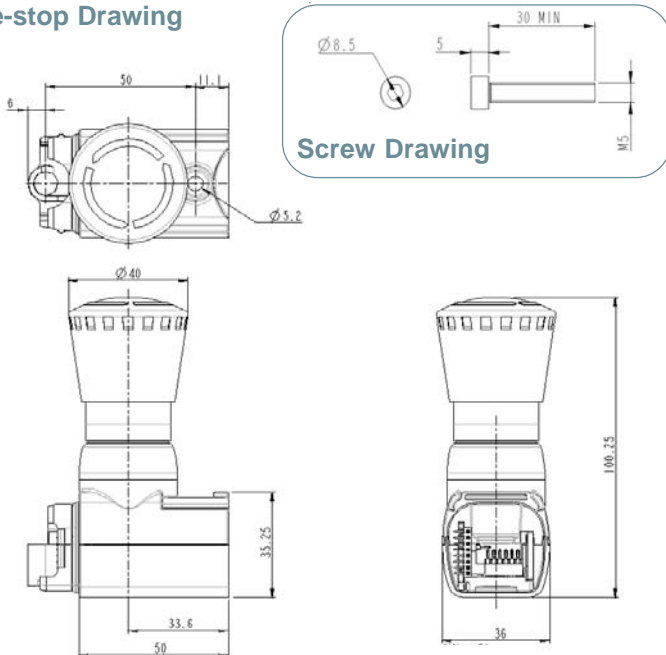
Housing Material	PBT
Colour	Light Grey & Dark Grey
Ingress Protection	IP65
Mechanical Life	1000000 Operations
Electrical Life	1000000 Operations
Maximum Frequency of Operations	1 per second
Ambient Temperature	-5°C to + 40 °C
Switches Conformance	IEC 60947-5-1
Switching Contact Element	2 NC
Switching Principle	Positive Break
Switching Current	Refer to base module spec
Switching Voltage	Refer to base module spec
Isolating Distance	2mm per switch element
Contact Material	90% Silver and 10% Nickel

Emergency Stop & Start /Restart Module Input Outputs

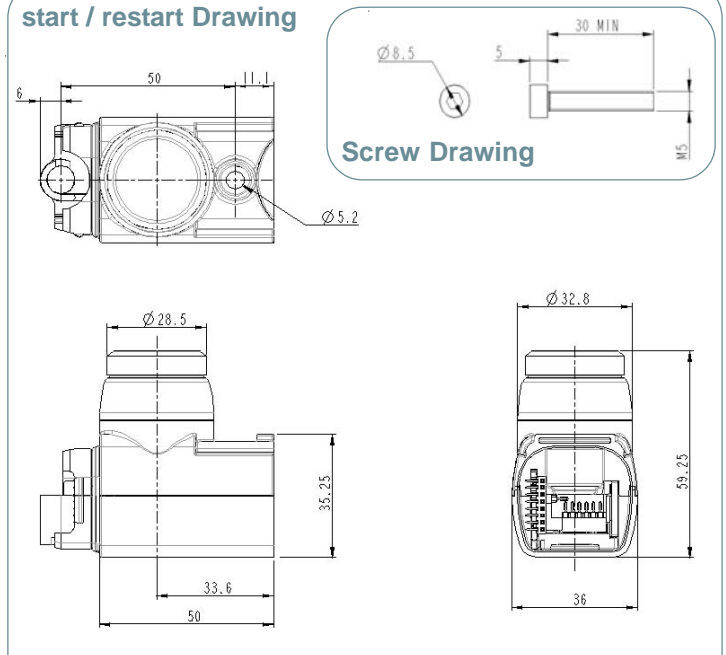
Part Number	Module	Input (1)	Output (0)	Order of pin assignment from base to head	Module operates on safety circuits
ES	E-Stop	0	0	-	✓
EM	Monitored E-Stop	0	1	-	✓
SR	Start / Restart	0	0	-	✓

*For further information on eGard configuration rules please click [here](#)

e-stop Drawing



start / restart Drawing



www.fortressinterlocks.com

Fortress Interlocks Ltd reserves the right to alter product specification and introduce improvements without prior notice.

