

Data Sheet

core module:
selector switches



Total Access & Control

eGard offers "Total access & control". The innovative modular design allows configurations of purely safety gate switches, purely trapped key interlocks, purely machine control stations or any combinations of all three.

description:

selector switch module for machine control. Available in black, red or green in 2 position or 3 position, either latching or non latching (i.e. stays in switched position or spring returns).



selector switch options:

2 position latching / non latching



2A Latching
2D Non latching



2B Latching
2E Non latching



2C Latching
2F Non latching

3 position latching / non latching



3A Latching
3D Non latching



3B Latching
3E Non latching



3C Latching
3F Non latching

part number

part number

www.fortressinterlocks.com

Technical Data

core module: selector switches



technical specification

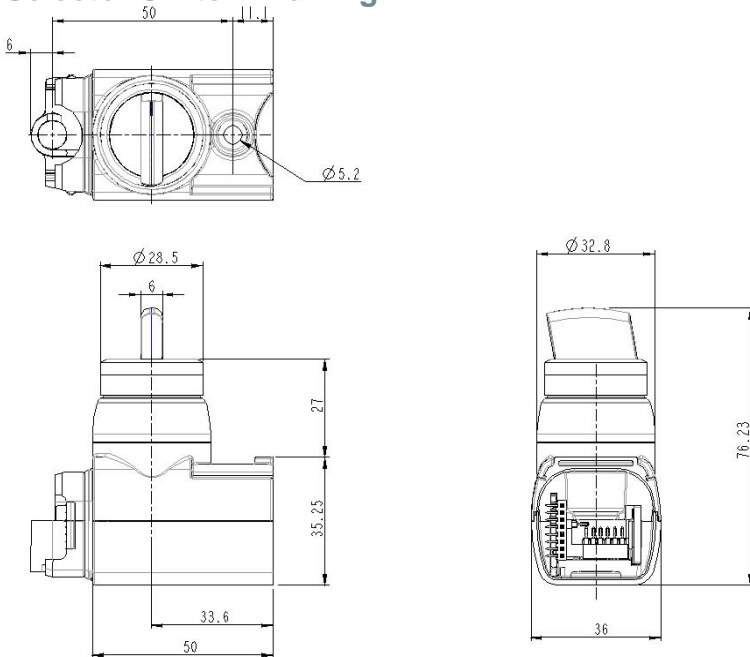
Housing Material	PBT
Colour	Light Grey & Dark Grey
Ingress Protection	IP65
Mechanical Life	300000 Operations
Electrical Life	300000 Operations
Maximum Frequency of Operations	1000 per hr
Ambient Temperature	-5°C to + 40 °C
Switches Conformance	IEC 60947-5-1
Switching Contact Element	2 NO
Switching Current	Refer to base module spec
Switching Voltage	Refer to base module spec
Contact Material	90% Silver and 10% Nickel

Selector Switch Module Input Outputs

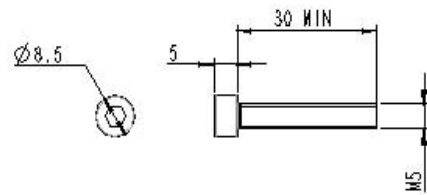
Part Number	Module	Input (1)	Output (0)	Order of pin assignment from base to head	Module operates on safety circuits
2A - 2F	2 Position Selector Switch	0	1	-	0
3A - 3F	3 Position Selector Switch	0	2	Clockwise output assigned first	0

*For further information on eGard configuration rules please click [here](#)

Selector Switch Drawing



Screw Drawing



www.fortressinterlocks.com

Fortress Interlocks Ltd reserves the right to alter product specification and introduce improvements without prior notice.

