

Data Sheet

core module:
lamps

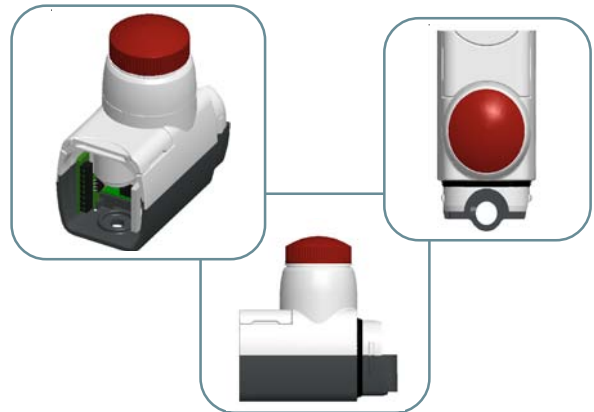


Total Access & Control

eGard offers "Total access & control". The innovative modular design allows configurations of purely safety gate switches, purely trapped key interlocks, purely machine control stations or any combinations of all three.

description:

lamp module for status indication can be configured to indicate machine or eGard status (i.e. guard open or machine run).



lamp options:

red pilot lamp concentric rings

green pilot lamp concentric rings

LR



LG



clear pilot lamp concentric rings

LC



part number

part number

www.fortressinterlocks.com

Technical Data

core module:
lamps



technical specification

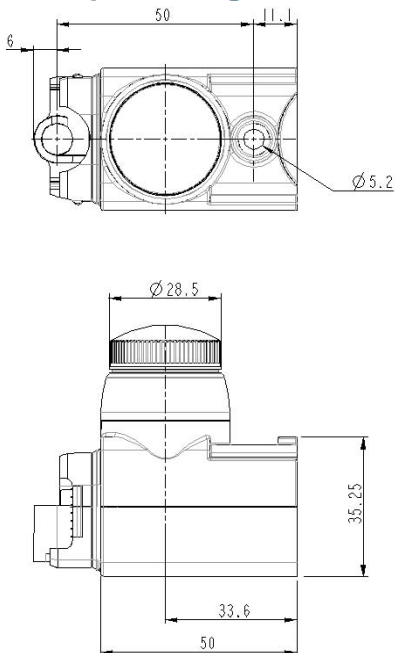
| | |
|---------------------------------|---------------------------|
| Housing Material | PBT |
| Colour | Light Grey & Dark Grey |
| Ingress Protection | IP65 |
| Maximum Frequency of Operations | 1000 per hr |
| Ambient Temperature | -5°C to + 40 °C |
| Switching Current | Refer to base module spec |
| Switching Voltage | Refer to base module spec |

Lamp Module Input Outputs

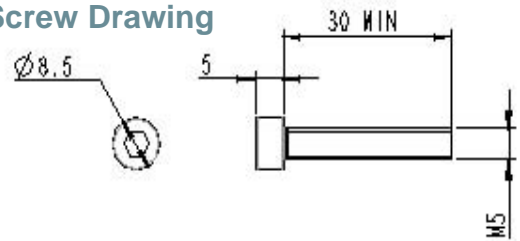
| Part Number | Module | Input (1) | Output (0) | Order of pin assignment from base to head | Module operates on safety circuits |
|-------------|--------|-----------|------------|---|------------------------------------|
| LR, LG, LC | Lamps | 1 | 0 | - | 0 |

*For further information on eGard configuration rules please click [here](#)

Lamp Drawing



Screw Drawing



www.fortressinterlocks.com

Fortress Interlocks Ltd reserves the right to alter product specification and introduce improvements without prior notice.