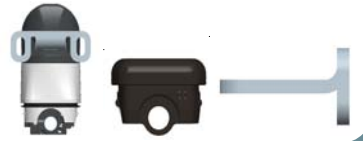


# Data Sheet

## head & actuators: head / cap / actuators



Total Access & Control

eGard offers "Total access & control". The innovative modular design allows configurations of purely safety gate switches, purely trapped key interlocks, purely machine control stations or any combinations of all three.

### description:

**Head** - rotatable through 360 degrees for ease of operation.  
With top and side entry .

**Cap** - used for all none doorlock configurations.

**Actuator** - a selection of robust tongue actuators, all eliminating the need for brackets



### head options:

head only

HM



cap

HC



head with fixed actuator

HF



### actuator options:

slam / hinged door actuator

AH



sliding door actuator

AS



fixed actuator

AF



part number  
part number  
part number

# Technical Data head modules:

head / cap / actuators



technical specification

**Head**  
**Housing Material** PBT  
**Colour** Light Grey & Dark Grey  
**Ingress Protection** IP65  
**Operating Force** 5 to 10 N  
**Retention Force Locked** 2000 N  
**Mechanical Life** 100000 Operations  
**Maximum Frequency of Operations** 1 per second  
**Ambient Temperature** -5°C to + 40 °C  
**min hinged door (radius)** 150mm (AH)

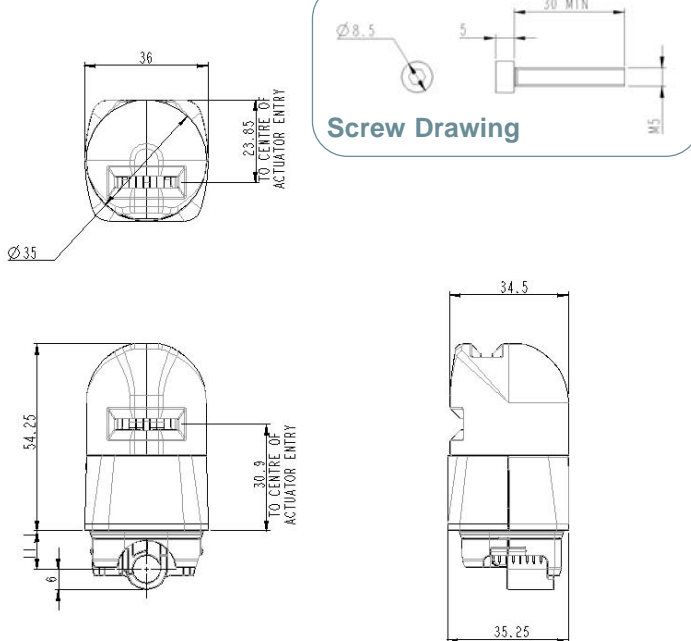
**Cap**  
**Housing Material** PBT  
**Colour** Light Grey & Dark Grey  
**Ingress Protection** IP65  
**Ambient Temperature** -5°C to + 40 °C

Head Cap & Actuator Input Outputs

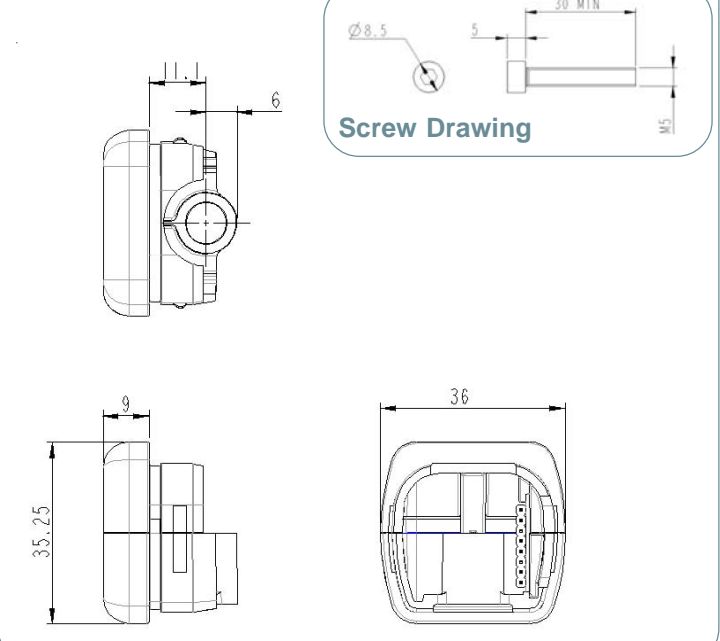
Part Number	Module	Input	Output	Order of pin assignment from base to head	safety circuits
HF	Head & Fixed Actuator	0	0	-	0
HM	Head	0	0	-	0
HC	Cap	0	0	-	0

\*For further information on eGard configuration rules please click [here](#)

HM Drawing



HC Drawing



[www.fortressinterlocks.com](http://www.fortressinterlocks.com)

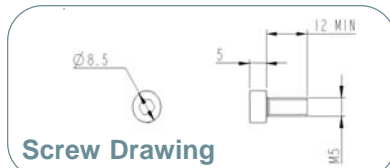
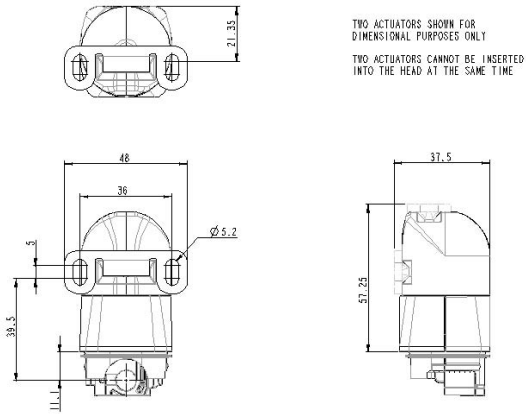
Fortress Interlocks Ltd reserves the right to alter product specification and introduce improvements without prior notice.

# Technical Data head modules:

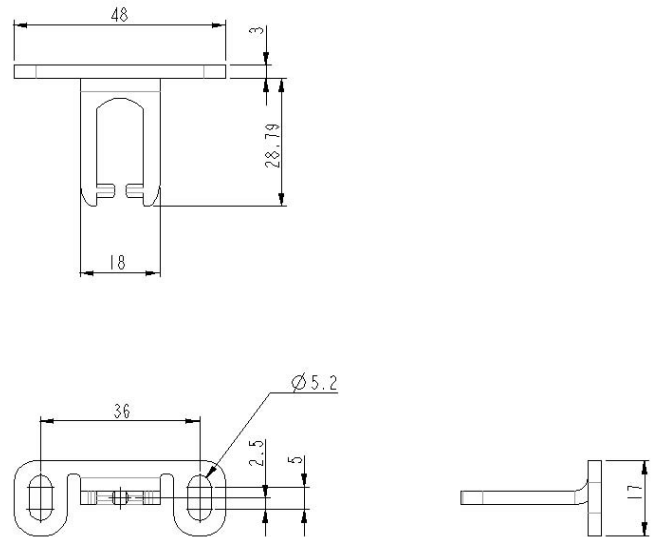
head / cap / actuators



## HF Drawing



## AF Drawing



[www.fortressinterlocks.com](http://www.fortressinterlocks.com)

Fortress Interlocks Ltd reserves the right to alter product specification and introduce improvements without prior notice.