

FSKI GG(Single) FDKI GG(Double) Gearbox Operated Valve Lock

Product Data Sheet



Description

The Fortress **FSKI GG** and **FDKI GG** range of units has been developed for interlocking all gearbox operated valves. Locking units are available to suit all sizes and types of gearbox, including those for, gate globe and diaphragm valves etc. Interlock units are designed to be fitted directly to gearboxes in place of the normal handwheel if required. No dismantling or modification of the valve or gearbox is needed thus preserving manufacturing warranties. Units are manufactured to suit each different valve or gearbox and can be fitted easily, either in the workshop or in the field.

Features & Benefits

- Can be engineered to fit any valve.
- Enforces a safe working practice scheme.
- All 316 Stainless Steel
- Easy to use CLS Lock

Coding & Security

All Fortress interlock units are coded by means of a patented design which ensures that only the correct key can operate any given lock. Keys may be supplied coloured and can be engraved to identify the function and status of the valve or valves operated by the key. The **FSKI GG** and **FDKI GG** units form part of an extensive range of valve interlock devices suitable for all types of process plant. Other items include interlocks for quarter turn valves and handwheel operated valves for pig trap enclosures and a range of bolt type interlocks for pneumatic and electrical actuators.

Operation

With the interlock unit fitted to the valve and operating key (or keys) turned to the trapped position, the appropriate key can be removed, locking the valve in that position. Where two keys are fitted, the unit is lockable in either position, releasing the appropriate key only. Units can be supplied with both keys freed in either open or closed positions. When a key is removed, a stainless steel dustcover seals the unit against ingress of moisture and dust.

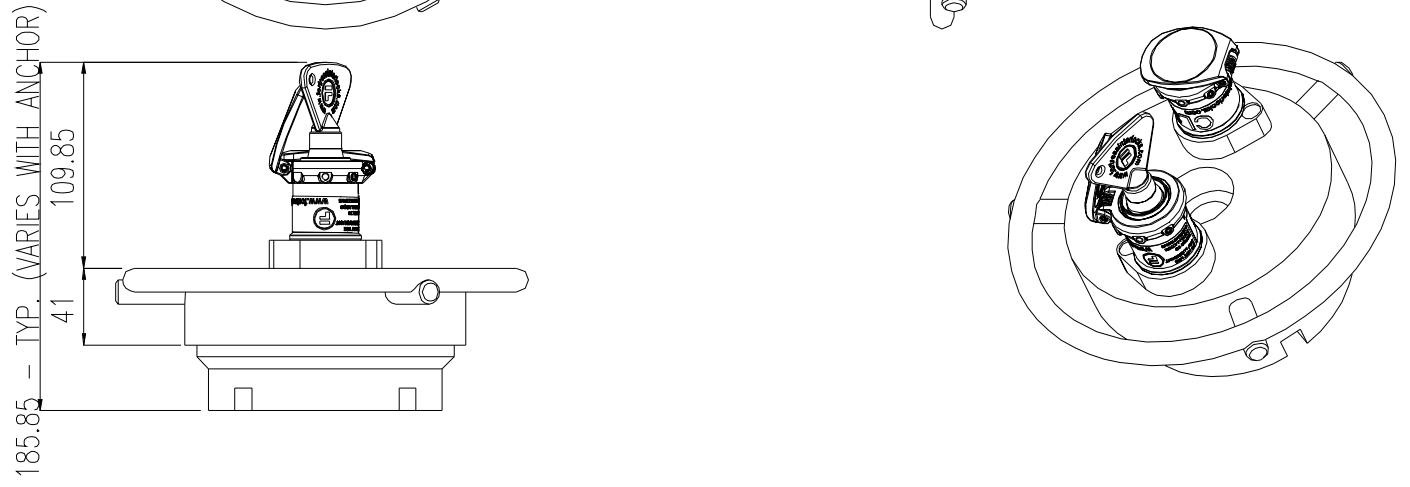
Construction

All units are robustly constructed from 316 S31 Stainless Steel for maximum corrosion resistance in harsh offshore environments. Valve interlocks may be supplied with a single operating key (FSKI), which allows locking in one position only (either open or closed) or two keys (FDKI) for locking in open and closed position. As an alternative, both keys may be freed in either open or closed positions.

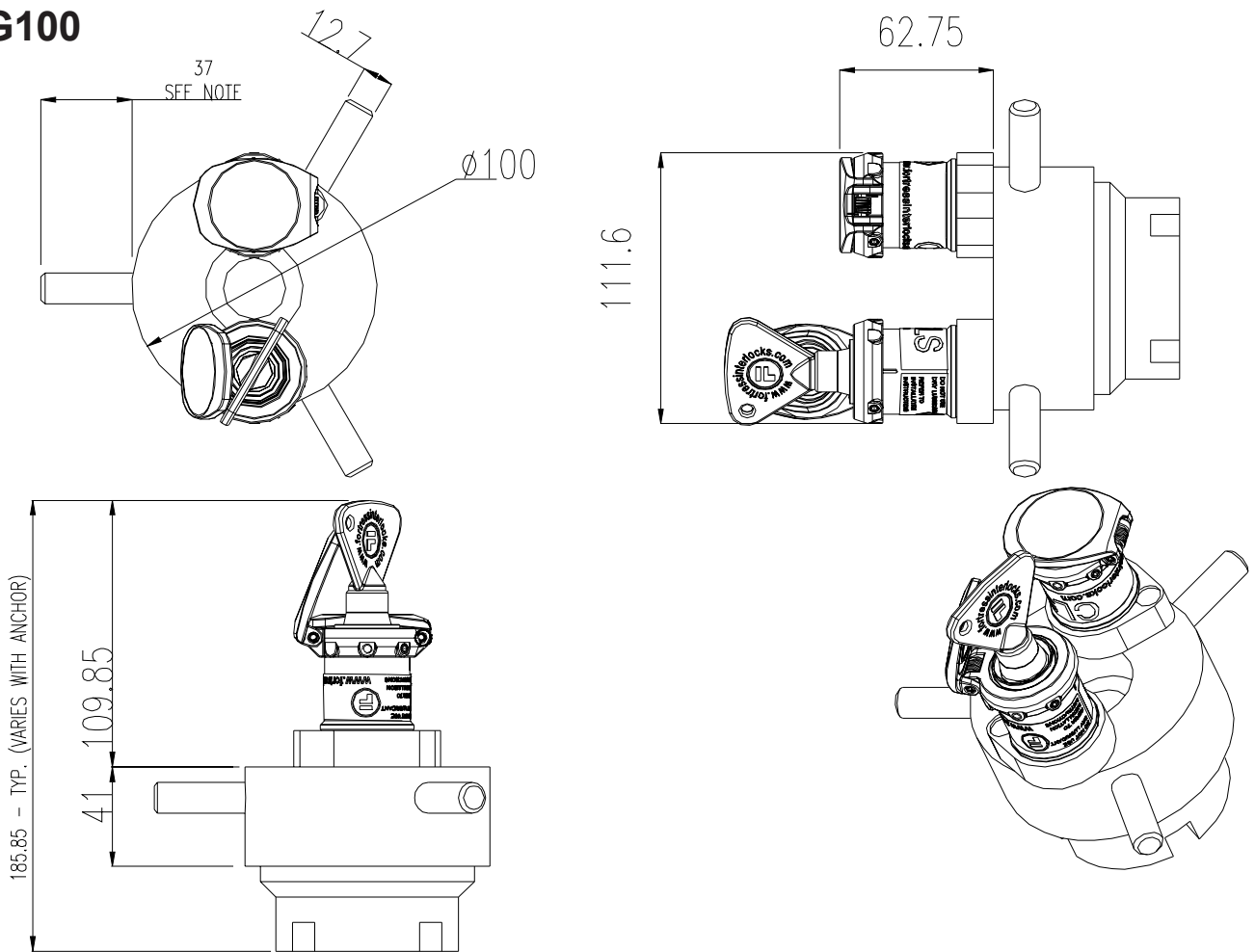
Options

- A Variety of handwheels and handles can be fitted to customer requirements
- Key cabinets are available to store keys used to start a sequence of operation and may be specially coloured and coded 'colour Aware' system.

GG150



GG100



GG125

