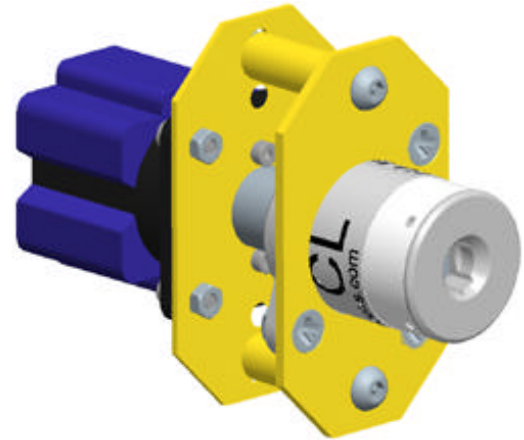


S-CL

Panel Mounted Key Operated Rotary switch



S-CLIN-A03240

Description

The **S** is a key operated rotary switch suitable for panel mounting.

Features & Benefits

- Direct drive operation - Positively opens contacts
- Available from 20 amps to 150 amps (specials upon request)
- Coding can be up to 30 characters
- Over 200,000 non-masterable lock combinations available
- 4NO, 2NO/2NC, or 4NO/4NC contacts (other contacts available on request)

Application

Part of an interlock system the switch unit directly or indirectly isolates the electrical power to the machinery.

Operation

The switch is directly operated by the key, which is trapped in the lock when the power supply is **ON**. Releasing the key turns the power **OFF**.

Construction

Mounting Plate: Zinc Plated Mild Steel
Lock Mechanism: Die-cast zinc body with stainless steel operating mechanism
Key: Stainless Steel

Keys

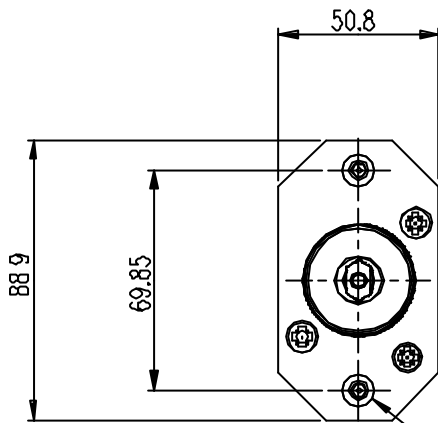
Please note keys are ordered separately.

Options

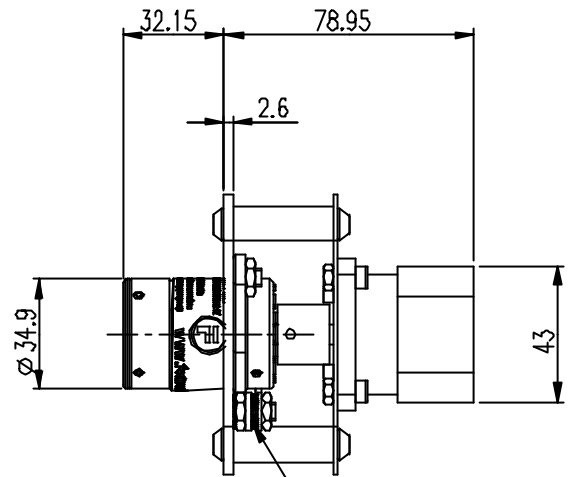
- Part/All Stainless Steel Basic Locks
- Stainless Steel dustcover
- Colour coded keys and locks
- Special Switch contact configurations
- Masterable locks and keys

Dimension Drawings

S-CLIN-A02040

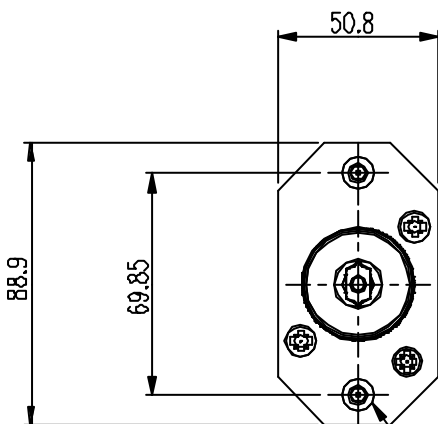


TO MOUNT UNIT, DRILL PANEL
Ø6.5 IN 2 PLACES, REMOVE
FIXING SCREWS AND REFIT
THROUGH THE PANEL

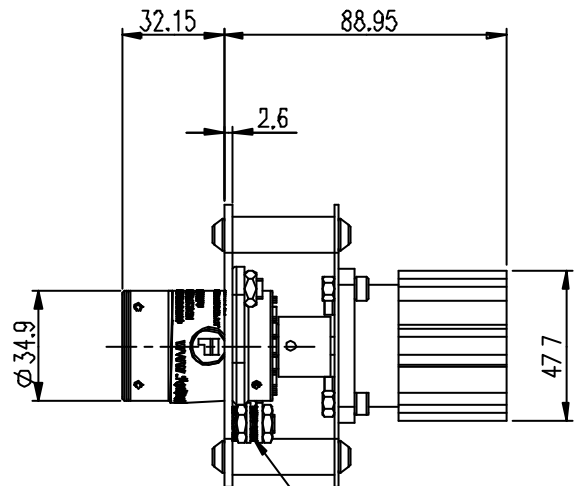


EARTH POINT

S-CLIN-A03240

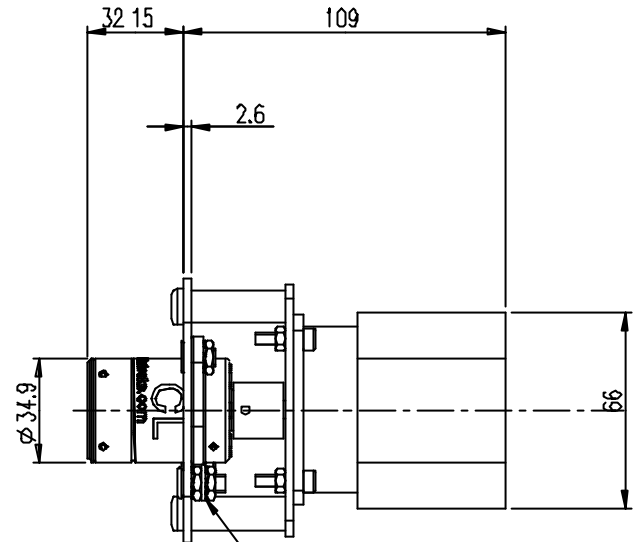
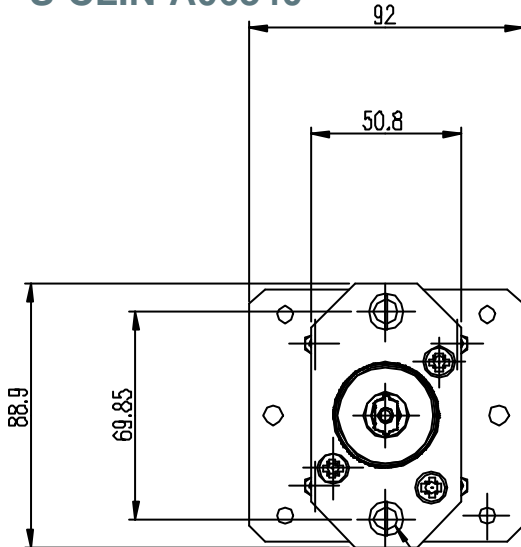


TO MOUNT UNIT, DRILL PANEL
Ø6.5 IN 2 PLACES, REMOVE
FIXING SCREWS AND REFIT
THROUGH THE PANEL



EARTH POINT

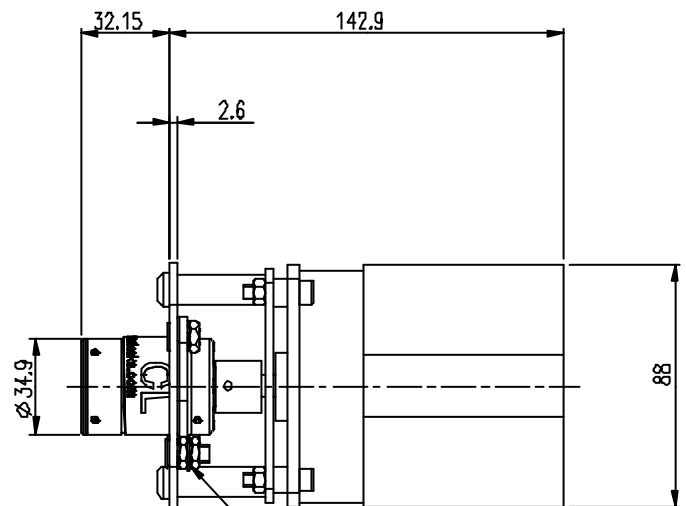
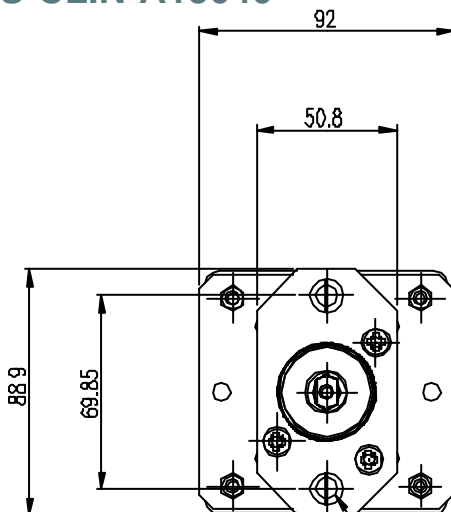
S-CLIN-A06340



TO MOUNT UNIT, DRILL PANEL
Ø6.5 IN 2 PLACES, REMOVE
SCREWS AND REFIT THROUGH PANEL.

EARTH POINT

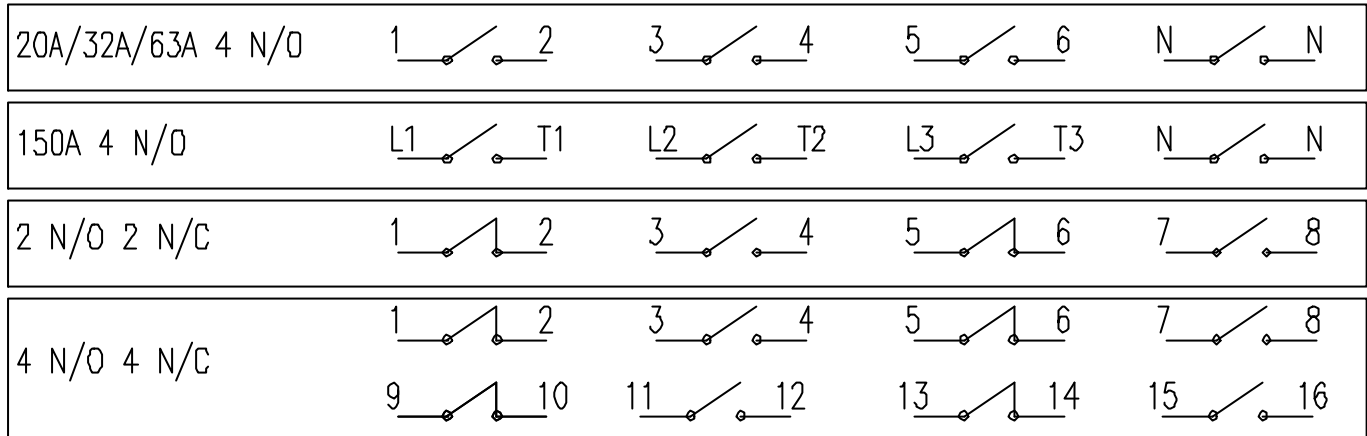
S-CLIN-A15040



TO MOUNT UNIT, DRILL PANEL
Ø6.5 IN 2 PLACES, REMOVE
SCREWS AND REFIT THROUGH PANEL.

EARTH POINT

Wiring Diagram



PRODUCT TYPE	LOCK TYPE	LOCK MATERIAL	DUSTCOVER	SWITCH AC/DC	SWITCH AMPS	SWITCH CONTACTS
S	CL	STAINLESS STEEL INTERNALS	NONE	AC SWITCH	020 SWITCH AMPS	4 NORMALLY OPEN 0 NORMALLY CLOSED
PART NUMBER			S-CLIN-A02040			

Ordering and Example

Part Numbering - Please specify the following information at the point of ordering:-

Product Type: S
 Lock Type: CL (Standard Lock) or ML (Masterable Lock)
 Lock Material: I-Stainless Steel Internals or S-Full Stainless Steel Lock
 Dustcover: N-None or S-Stainless Steel Dustcover
 Switch AC/DC: A-AC Switch or D-DC Switch (Non-Preferred)
 Switch Current: 020-20A, 032-32A, 063-63A, or 150-150A
 Switch Contacts: 40-4N/O or 22-2N/O,2N/C or 44-4N/O,4N/C

PART NUMBER: S-CLIN-A02040

If a product is not classified as a standard Fortress product the part number will be followed by X### to denote its status.