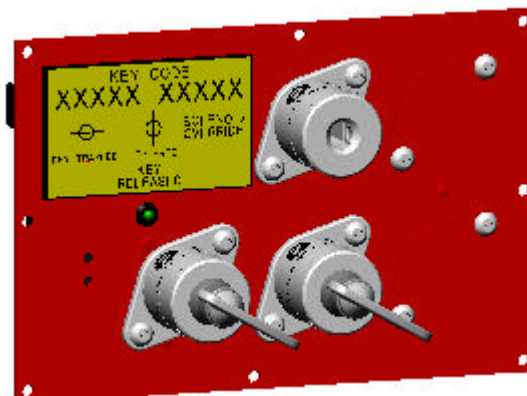


# SLS-CL

## Solenoid Locking Station



### Description

SLS is a robust, heavy duty, solenoid controlled key exchange unit in a modular format.

It is supplied suitable for panel mounting as standard, with a 24v dc solenoid and dual channel circuitry, ensuring compliance with EN 954-1.

### Features & Benefits

- Solenoid available in 24 vdc or 110 vac
- Suitable for machines with a run-down cycle
- Extendable units with up to 6 release keys
- 10 switch available as standard
- 4NO/2NO contact arrangements available as standard

### Application

As part of an interlock system, this solenoid controlled unit offers the advantage of the exchange and electrical control within one unit and is suitable for application on machines with a run down time. The unit ensures that keys may not be released until both the solenoid has been energised and the control power has been isolated. Both machines with single access or multiple access points would benefit from the use of this control device.

### Operation

The release keys are trapped within the unit while the machine is in normal operation, and may only be freed once the integral solenoid has been energised. This action operates the 2nc/1no switch arrangement and opens the safety circuit to the machine and illuminates the green LED. Removal of the key operates a second 2nc/1no switch arrangement.

### Construction

**Mounting Plate:** Mild steel with polyester/epoxy paint finish.

**Switches:** Uses 10amp positive (nc) switches which are rated at 250V AC12, 10amps, AC15, 4amps, 230V.

**Solenoid:** Zinc plated and passivated mild steel frame. 12 Watt, 24vdc solenoid (0.5amps).

**Configuration:** Panel supplied with override lock only.

Number of release keys advised at point of order. (Standard = 4off).

**Lock Mechanisms:** Brass with nickel chrome finish to lock casing and fitted with plastic dustcover.

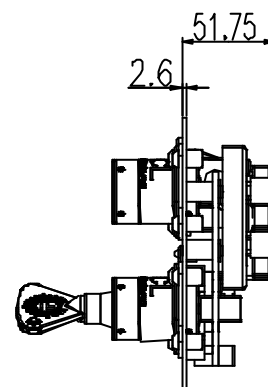
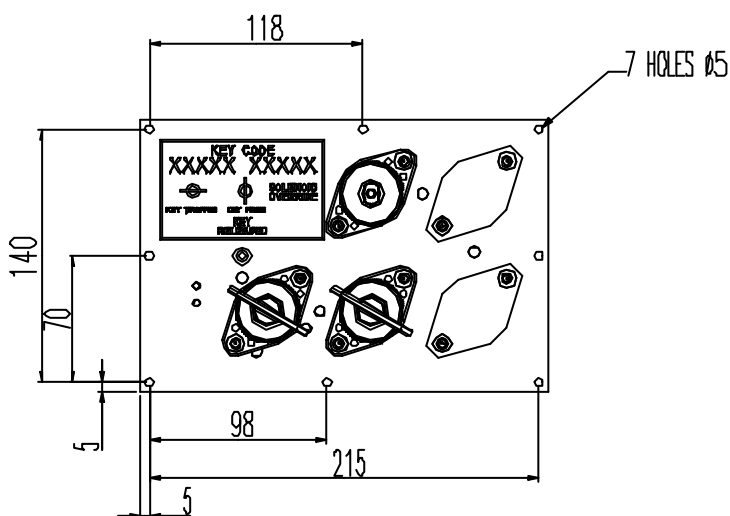
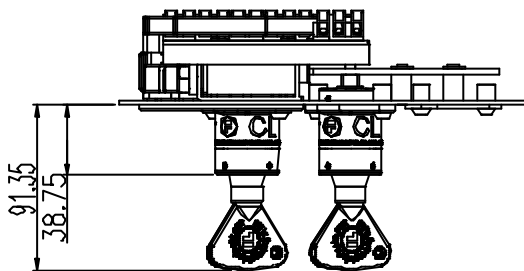
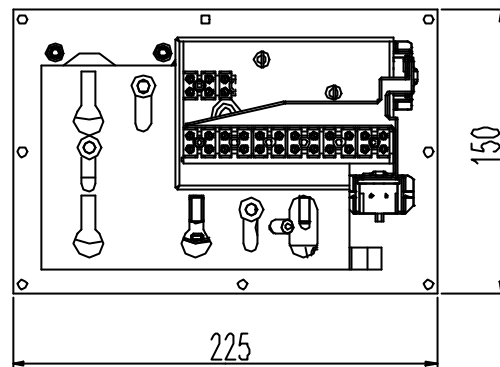
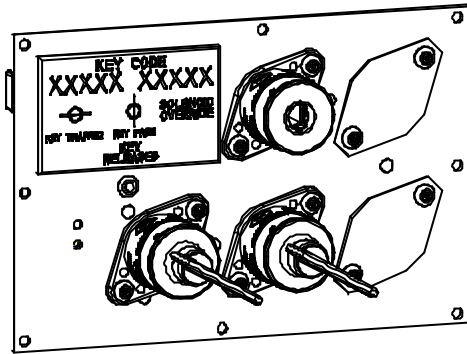
### Keys

Please note keys are ordered separately

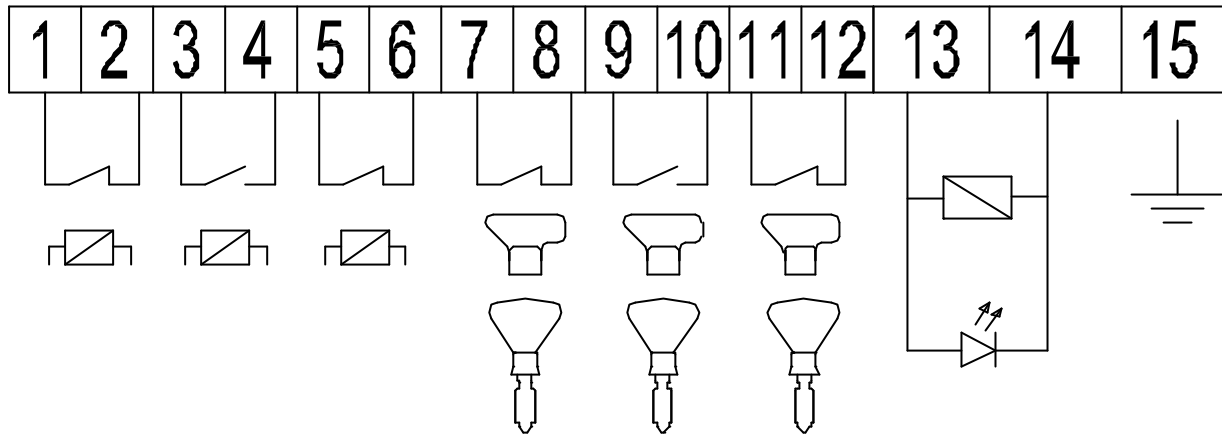
### Options

- Part/all stainless steel basic lock
- Chrome brass / Stainless steel dustcover
- 24vdc, 110vAC
- Sizes: 4 Way (1 Override lock +4 locks), 6 Way (1 Override lock +6 locks)
- Quick disconnect terminals

### SLS-CL



### SLS WIRING DIAGRAM



PRODUCT TYPE	NUMBER OF LOCKS FREED BY OVERRIDE	LOCK TYPE	LOCK MATERIAL	DUSTCOVER	MAX NO OF LOCKS SLS CAN FREE (PANEL SIZE)	SOLENOID AC/DC	SOLENOID VOLTAGE	QUICK DISCONNECT
<b>SLS</b>	<b>2</b>	<b>CL</b>	<b>STAINLESS STEEL INTERNALS</b>	<b>NONE</b>	<b>4</b>	<b>DC SOL</b>	<b>024 SOL VOL</b>	<b>STD BLOCK CONNECTOR</b>

#### PART NUMBER

**SLS2-CLIN-4D024**

#### Ordering and Example

Part Numbering - Please specify the following information at the point of ordering:-

**Product Type:** SLS  
**No of Locks:** 2  
**Lock Type:** CL  
**Lock Material:** I-Stainless Steel Internals  
**Dustcover:** N-None  
**Max No of Locks SLS can free:** 4  
**Solenoid AC/DC:** D-DC Sol  
**Solenoid Voltage:** 024-024Sol Vol  
**Quick Disconnect:** Std Block Connector

If a product is not classified as a standard Fortress product the part number will be followed by X001 to denote its status.

**PART NUMBER: SLS2-CLIN-4D024**