

## ODL-CL

### Key Operated Switch Control Unit



#### Description

A 'key bank' with a switch available for panel or surface mounting options. It incorporates one or more rotary switches and any combination of trapped or freed keys. Switches are lock operated and a variety of switch conditions and key sequences are possible.

#### Features & Benefits

- Single and double row versions
- Front (surface-with an enclosure) and Back of Board (panel-on a plate) mounting available
- All access keys free at the same time or sequentially released (upon request)
- Any combination of isolation / access keys possible
- Over 200,000 non-masterable lock combinations available
- Coding can be up to 30 characters

#### Application

Part of an interlock system, switch control units offer the advantages of key exchange and electrical control within a single unit. Key (ODL) operated units; ensure power has been isolated before the release of secondary keys.

#### Operation

This unit can be supplied in two forms; either with a key exchange condition, or with all keys normally captive. In the key exchange condition, secondary keys are normally held captive and are released upon insertion of the control key(s), which operates the switch. Alternatively, where all keys are normally captive, the control key must be released first (operating the switch) before releasing the secondary keys.

#### Construction

**Enclosure:** Mild Steel with polyester/epoxy finish.

**Lock Mechanism:** Die-cast zinc body with stainless operating mechanism

**Key:** Stainless Steel

#### Keys

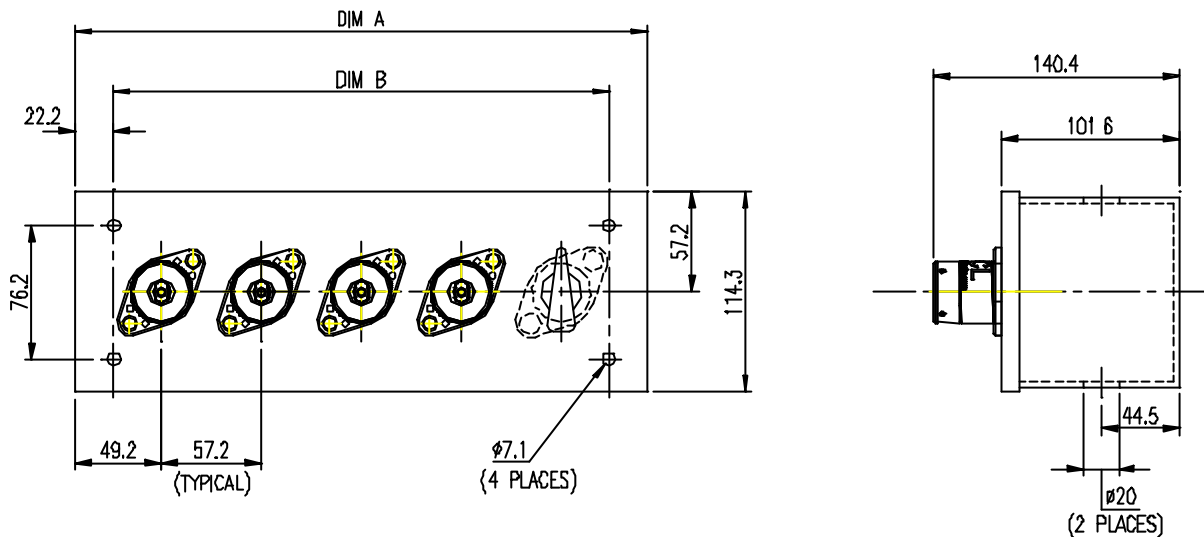
Please note keys are ordered separately

#### Options

- Part/all stainless steel basic locks: BL/BLS, CL/CLS or ML/MLS
- Stainless steel dustcover
- Up to 16off release keys
- 6A, 16A, 32A, 63A switches available
- Stainless steel enclosure/panel available

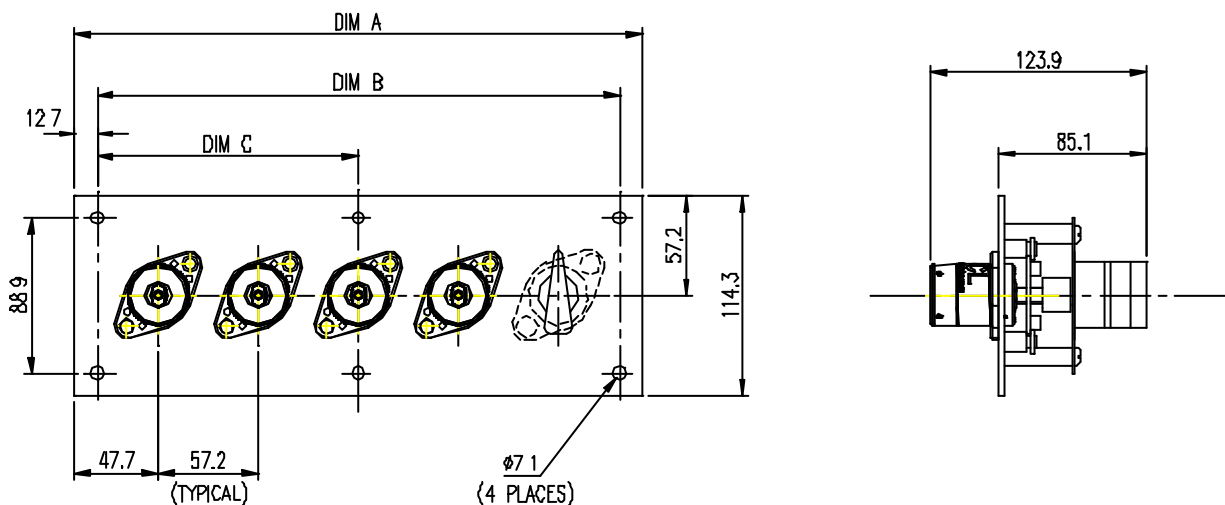


### ODL/ODS FRONT OF BOARD



| KGRDL/KGRDS |            | FRONT OF BOARD |       | BACK OF BOARD |       |       | NO OF HOLES |
|-------------|------------|----------------|-------|---------------|-------|-------|-------------|
| SINGLE ROW  | DOUBLE ROW | DIM A          | DIM B | DIM A         | DIM B | DIM C |             |
| 1           | —          | 155.5          | 111.1 | 152.4         | 127.0 | —     | 4           |
| 2           | 4          | 212.7          | 168.3 | 209.6         | 184.2 | 92.1  | 6           |
| 3           | 6          | 269.9          | 225.4 | 266.9         | 241.3 | 120.7 | 6           |
| 4           | 8          | 327.0          | 282.6 | 323.9         | 298.5 | 149.2 | 6           |
| 5           | 10         | 384.2          | 339.7 | 381.0         | 355.6 | 118.5 | 8           |
| 6           | 12         | 441.3          | 396.9 | 438.2         | 412.8 | 137.6 | 8           |
| 7           | 14         | 498.5          | 454.0 | 495.3         | 469.9 | 117.5 | 10          |
| 8           | 16         | 555.6          | 511.2 | 522.5         | 527.0 | 131.8 | 10          |

### ODL/ODS BACK OF BOARD



| PRODUCT TYPE | NO. OF SECONDARY LOCKS AND OPERATING LOCK/KNOB | LOCK TYPE | LOCK MATERIAL             | DUSTCOVER | VERTICAL HORIZONTAL | NUMBER OF ROWS | CAMS OR RUNNERBAR | PRODUCT MATERIAL  | FRONT OF BOARD / BACK OF BOARD | SWITCH AC/DC | SWITCH AMPS     | SWITCH CONTACTS                      |
|--------------|--|-----------|---------------------------|-----------|---------------------|----------------|-------------------|-------------------|--------------------------------|--------------|-----------------|--------------------------------------|
| ODL          | 1  | CL        | STAINLESS STEEL INTERNALS | NONE      | HORIZONTAL          | 1              | CAMS              | PLATED-MILD STEEL | BACK OF BOARD                  | AC           | 016 SWITCH AMPS | 4 NORMALLY OPEN<br>0 NORMALLY CLOSED |

## PART NUMBER

**ODL1-CLIN-H1CMBAC1640**

### Ordering and Example

Part Numbering - Please specify the following information at the point of ordering:-

Product Type: **ODL**  
 No. of Secondary Locks and Operating Lock / Knob: **1**  
 Lock Type: **CL**  
 Lock Material: **I-Stainless Steel Internals**  
 Dustcover: **N-None**  
 Vertical / Horizontal: **H-Horizontal**  
 No. of Rows: **1**  
 Cams or Runnerbar: **C-Cams**  
 Product Material: **M-Plated-Mild Steel**  
 Front of Board / Back of Board: **B-Back of Board**  
 Switch AC/DC: **A-AC**  
 Switch AMPS: **16-016**  
 Switch Contacts: **40-4 Normally Open, 0 Normally Closed**

**PART NUMBER: ODL1-CLIN-H1CMBAC1640**