

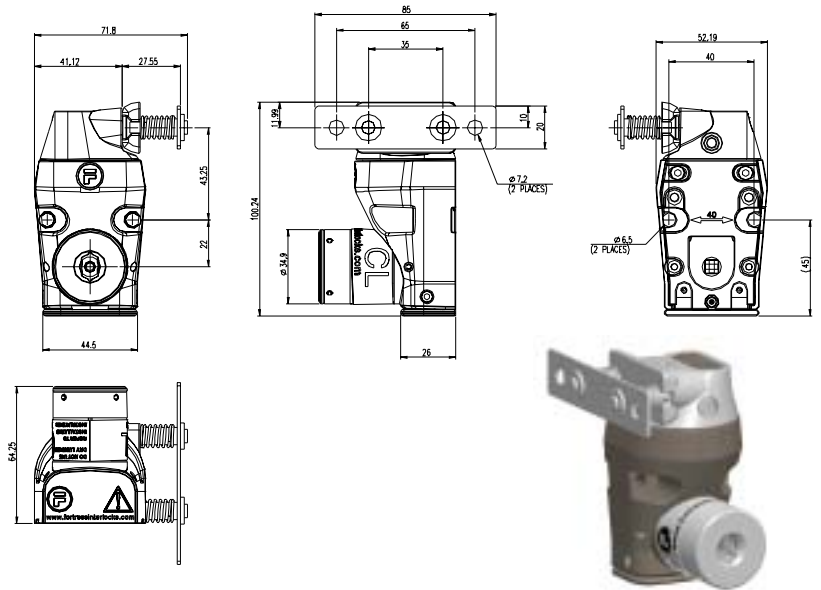
DM Actuators

Fortress can provide the **DM** product range with a selection of robust, all stainless steel actuators suitable for both hinged and sliding doors. The Compressable Actuator (DM-C) is the latest to be introduced to the product range.

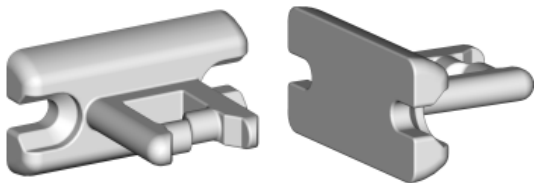
Compressable Actuator - DM-C



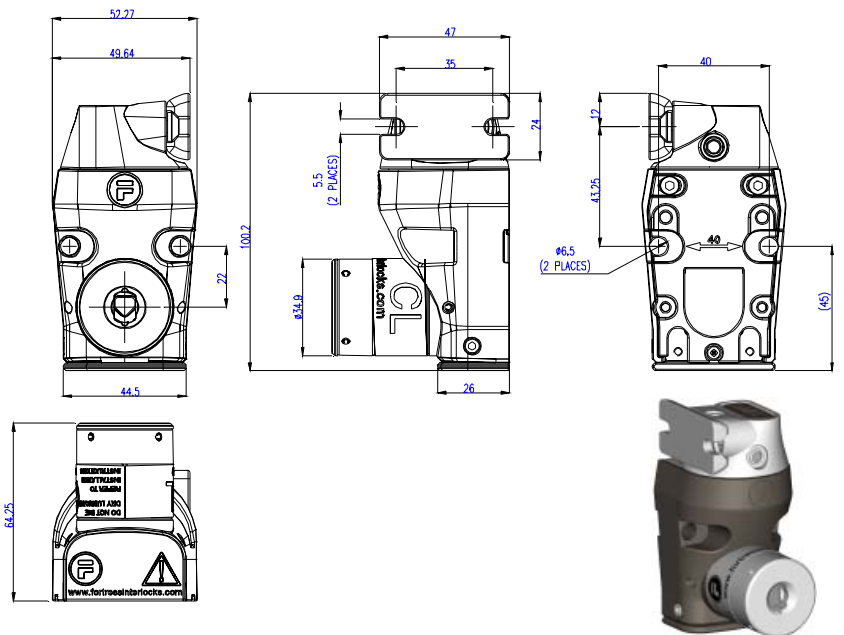
- Ideal for doors where the final location can vary (eg sealed doors)
- Can be used on small radius doors
- Suitable for situations where the door is likely to be slammed



Fixed Actuator - DM-F

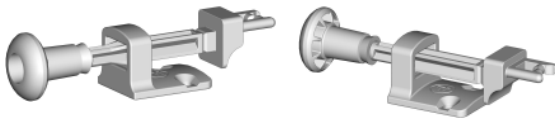


- Supplied as standard
- Ideal for most guard doors
- Compact (fits within **DM** body's space envelope)



DM Actuators

Hand Operated Actuator - DM-H



- Suitable for use where a secondary action is required to open/close the guard
- Detent holds actuator in place when door is open
- Vertical Adjustment: +/-6mm
- Rotational Adjustment: 360° in 90° increments of actuator/bracket

