

Fortress Interlocks

Product Data Sheet

DM & DMS

Door Module with multiple access locks

Description

The **DM** and **DMS** (full stainless steel version) are robust, modular access interlocks suitable for use on all types of doors. They are sold as a single or multiple door interlock with up to ten locks modules.

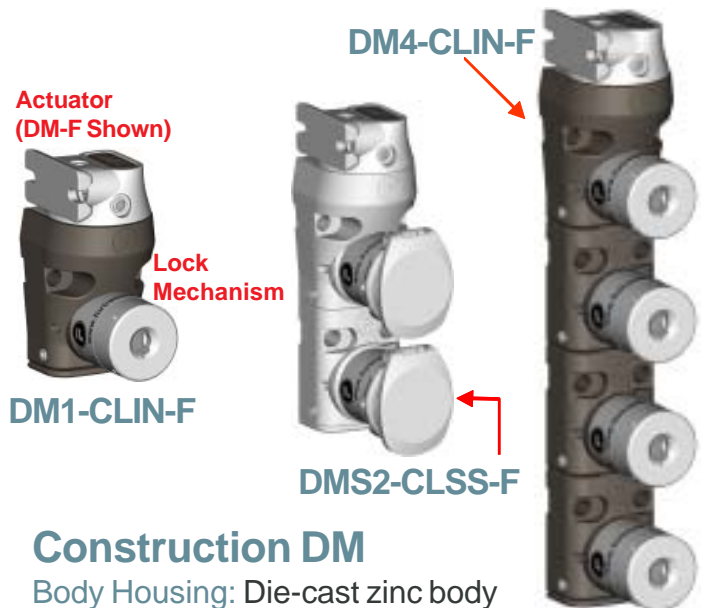
- No product handling issues
- 8 head configurations with +/- 5° of fine adjustment
- Horizontal and vertical mounting
- Tested to over 1,000,000 operations
- Durable plated bodies
- Tamper resistant head mechanism
- Patented sequencing system
- Easy to configure
- Sequential / Non-sequential key operation
- Extend or trim-down units and use surplus modules elsewhere
- Minimal maintenance
- Slim and attractive design

Application

Part of an interlock system, the locks are used to control access to enclosed areas until a safe condition has been achieved.

Operation (Example Sequence on DM1)

The key is inserted into the lock and turned; the actuator is disengaged and the door opened. The key remains trapped until the door is closed and the actuator re-engaged. Other sequences are available.



Construction DM

Body Housing: Die-cast zinc body with pearl bronze finish.

Head: All stainless steel.

Internals: All stainless steel contact components.

Actuators: All stainless steel.

Lock Mechanism: CL or ML lock types are of die-cast zinc body with stainless operating mechanism.

Key: Stainless steel.

Construction DMS

Body Housing: All stainless steel

Head: All stainless steel.

Internals: All stainless steel contact components.

Lock Mechanism: CLS or MLS lock types are of all stainless steel.

Actuators: All stainless steel.

Key: All stainless steel.



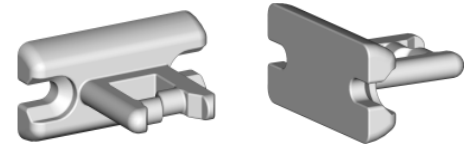
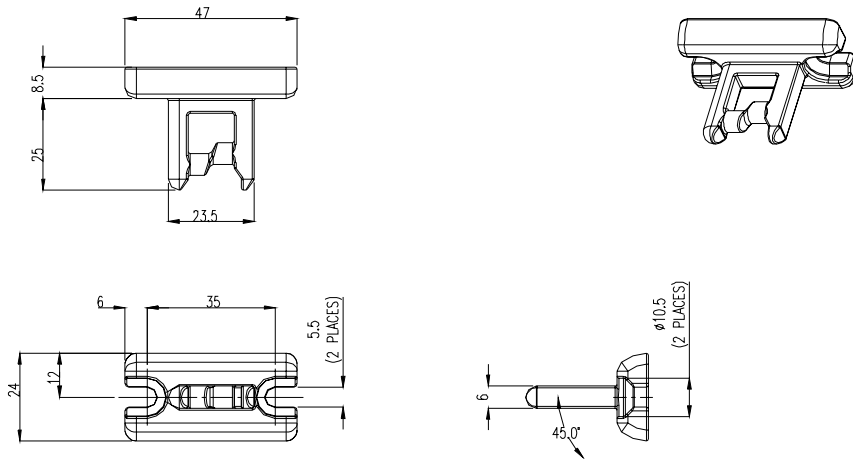
Options DM and DMS

- A choice of 3 actuators: Fixed, Self-aligning or Hand operated (see page 3)
- Surface or panel mounting option (DM only)
- Lock portion may be CL or ML with DM or CLS or MLS with DMS
- Stainless steel spring loaded dustcover (Standard with DMS)
- Low profile CL key

Choice of Actuators

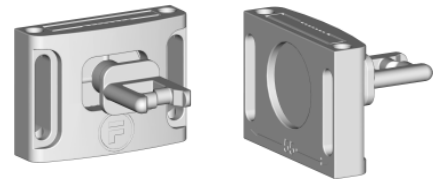
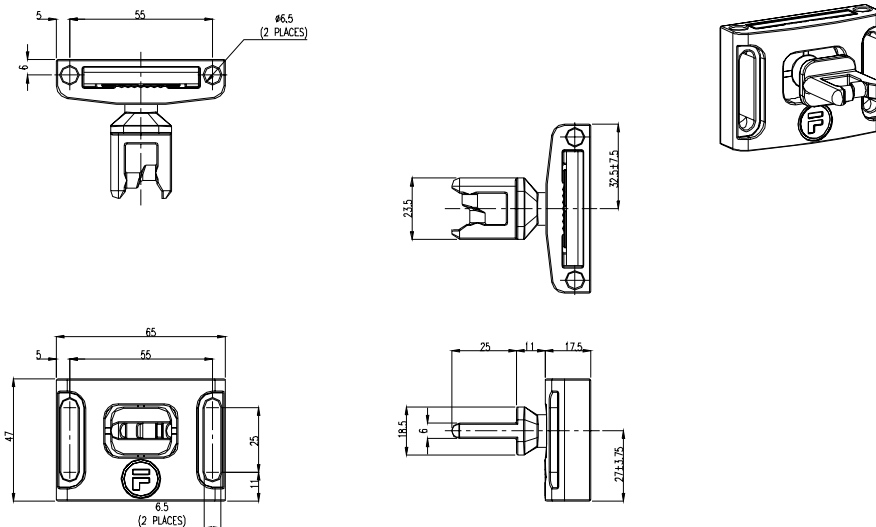
Fortress can provide the **DM** product range with a selection of robust, all stainless steel actuators suitable for both hinged and sliding doors.

Fixed Actuator - DM-F



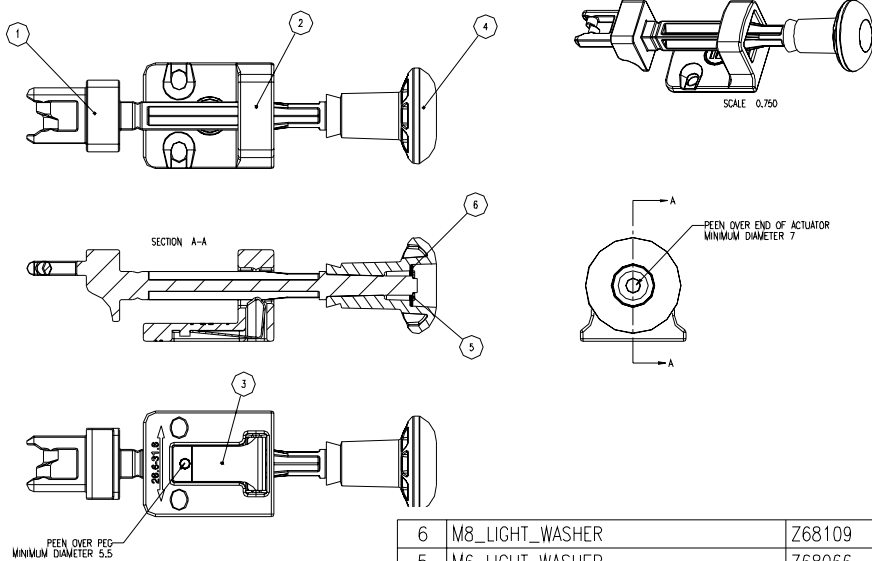
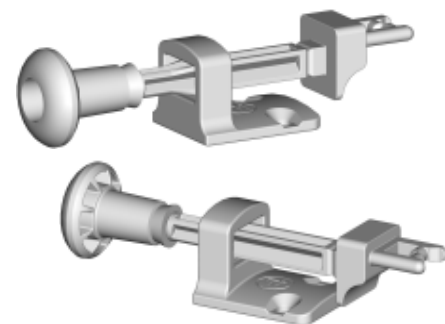
- Supplied as standard
- Ideal for most guard doors
- Compact (fits within **DM** body's space envelope)

Self-Aligning Actuator - DM-S



- Ideal for small radius hinged doors
- Can be bolted through from the front, top or bottom
- Horizontal Adjustment: +/-7.5mm
- Vertical Adjustment: +/-3.75mm
- Rotational Adjustment: Any angle in 360 degrees
- Adjustment ideal for guards subject to misalignment through wear

Hand Operated Actuator - DM-H



- Suitable for use where a secondary action is required to open/close the guard
- Detent holds actuator in place when door is open
- Vertical Adjustment: +/-6mm
- Rotational Adjustment: 360° in 90° increments of actuator/bracket

6	M8_LIGHT_WASHER	Z68109	1
5	M6 LIGHT WASHER	Z68066	1
4	KNOB FOR CAST SLIDE BAR	F50278	1
3	DM LEAF SPRING	F65119	1
2	DM HAND-OPERATED ACTUATOR BRACKET	F46325	1
1	DM HAND-OPERATED ACTUATOR	F46323	1
ITEM	DESCRIPTION	PART NO.	QTY

Rotating Head Product Animations

Head Positions

The **DM** and **DMS** modules benefits from a revolutionary new patented head design. With 3 actuators to choose from, the head features a choice of 4 head rotation angles and 2 actuator entry points.



Front Side Entry



Left Top Entry

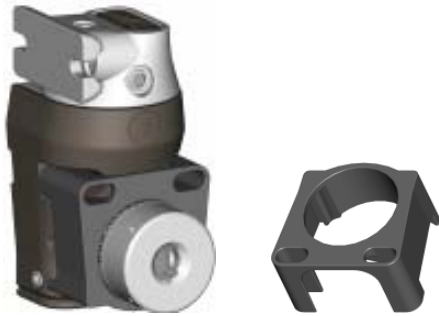


Rear Top Entry



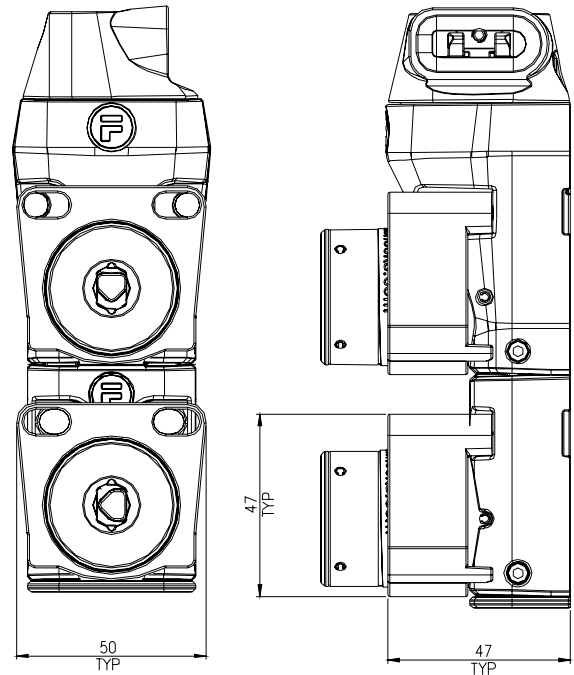
Right Side Entry

Back of Board Mounting



Back of Board Mounting Kit shown in operation on a **DM1** and illustrated on its own.

- 1 Provides a flat mounting surface for back of board panel mounting
- 2 Easy conversion from front of board, surface mounting
- 3 Uses **DM** fixing centres



XMA



Add-On Module(s)

Module(s) can be added to an existing **DM** product for system expansion at any stage.

Part Numbering

Product	No. of Locks	Lock Type	Lock Material	Dustcover	Actuator Type
DM	1 -	CL	Stainless steel Internals	None -	Fixed
	10 -	ML	Stainless steel	Stainless steel -	Self Aligning
					Hand Operated
DMS	1 -	CLS	Stainless steel	Stainless steel -	Fixed
	5 -	MLS			Self Aligning
					Hand Operated

Starting from the left and working across. Select the coloured/high-lighted/bold option for each section heading. This will generate your part number. **Example Part Numbers:** **DM3-CLIN**, **DMS3-CLSS**.