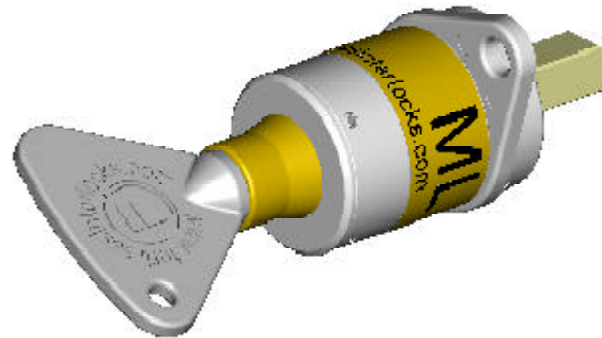


Master Lock (ML)

Masterable Lock



Standard

Description

A robust radial disc tumbler lock, the building block of the Fortress range, offering in excess of 200,000 masterable combinations in up to 2,000 sets. A spring-loaded stainless steel dustcover is available as an optional extra.

Combinations are determined by customer defined coding details supplied at the time of ordering, giving full control over the integrity of the interlock system.

Features & Benefits

- Ease of operation
 - Dual orientation key entry leading to easy operation.
 - Smooth and effortless rotation.
 - Standard clockwise operation to provide consistency.
- All contact surfaces made of stainless steel.
- Over 200,000 lock combinations.
- Suitable for high frequency applications.
- Heavy Duty.
- High Integrity.
- Compatible with the CL Lock, Amgard and KeyGard ranges.
- Multi-level masterable options available.
- Wide temperature range -40° + 150°C.

Operation

The key is inserted and turned, turning the spindle projecting from the basic lock. (With mounting bracketry the spindle can operate switchgear etc.). The key is freed in the 12 o'clock position. Standard movement is 90 degrees clockwise and 45 and 60 degrees options are available on request.

Construction

Lock construction - Zinc alloy with a durable satin-chrome finish to the lock casing. The internal lock components are made from stainless steel. Standard spindle dimensions are 9.5mm (3/8") square x 22mm (7/8") long. Locks are 'handed', with either a left hand or right hand mounting bias.

Keys

Keys are manufactured in Stainless Steel. Please note keys are ordered separately.

Options

- Right Hand or Left Hand
- Stainless Steel Dustcover
- Optional spindle dimensions
- Colour Coding of locks and seals
- MLS - Full stainless steel lock version of ML
- CL - Cylinder Lock mechanism
- CLS - Full stainless steel lock version
- Low Profile key - available from June 03



Application

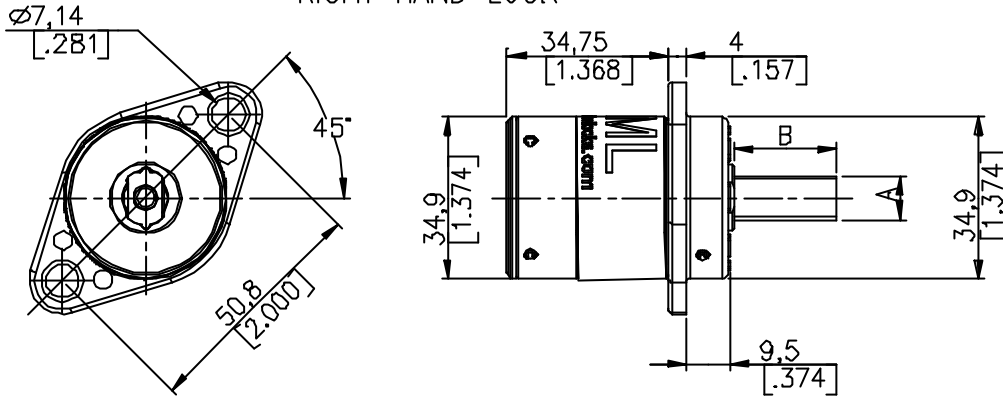
As part of an interlock system the lock directly or indirectly isolates energy sources.

A range of Breaker Locks, specifically designed for the Switchgear industry, preventing a mains switch from being operated will be available from June 03. For more information request our Breaker Lock Data Sheets or visit our website: www.fortressinterlocks.com

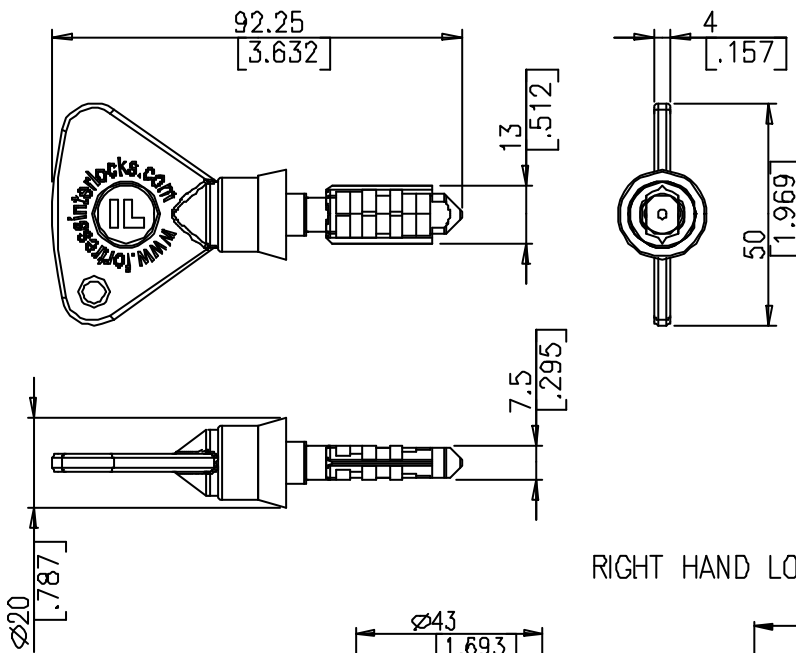
ML - Master Lock

RIGHT HAND LOCK

LEFT HAND LOCK



DIM	STANDARD	OPTION
A	9.5 [3/8"] SQR	ø14.3 [9/16"] MAX
B	22.2 [7/8"]	3.5-50.8 [0.138-2"]



RIGHT HAND LOCK

LEFT HAND LOCK

