

Slide Bar Installation Instructions



Spring Loaded



Internal Release

Description

The Slide Bar can be used with Fortress' modular AmGard2000 range, incorporating an Auto Head. It can be used on hinged or sliding doors. The Slide Bar is particularly useful for applications using small radius, hinged doors.

The Slide Bar is available in two variants: Spring Loaded and Internal Release - see functionality below.

Both are constructed from Stainless Steel castings and feature built-in lock-outs.

IMPORTANT

This product is designed for use according to the installation and operating instructions enclosed.

It must be installed by competent and qualified personnel who have read and understood the whole of this document prior to commencing installation. Any modification to or deviation from these instructions invalidates all warranties.

IF YOU HAVE ANY QUESTIONS OR QUERIES OF ANY NATURE PLEASE CONTACT YOUR SUPPLIER WHO WILL BE PLEASED TO ADVISE AND ASSIST.

Fortress Interlocks Ltd. accepts no liability for any situation arising from misuse or mis-application of this product.

Tools and Fixings Required

- M8 Tap or Ø 8.5 Drill
- 4 x M8 Screws
- 4 x M8 Nuts (Optional)
- 4 x M8 Washers

Mounting

- 1 Mount the unit only in its correctly assembled condition.
- 2 Locate the Slide Bar so that it is within easy reach.
- 3 The Slide Bar must be fitted to a flat metal panel, of minimum thickness 6mm, permanently attached to the guard .
- 4 Machine the panel using the dimensions from figure 1.
- 5 Mount the unit to the panel using the 4 M8 screws nuts and washers, as applicable.
- 6 All fixing screws must be permanently prevented from removal, either by vibration or by personnel using standard tools.

Functionality Spring Loaded

The spring loaded Slide Bar is intended to be operated from outside the guarded area. When the machine is in operation the guard is closed and the Slide Bar is extended so that the tongue is in the Auto Head.

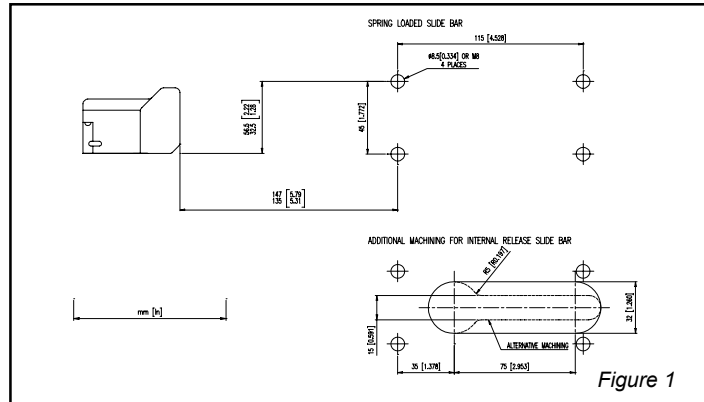
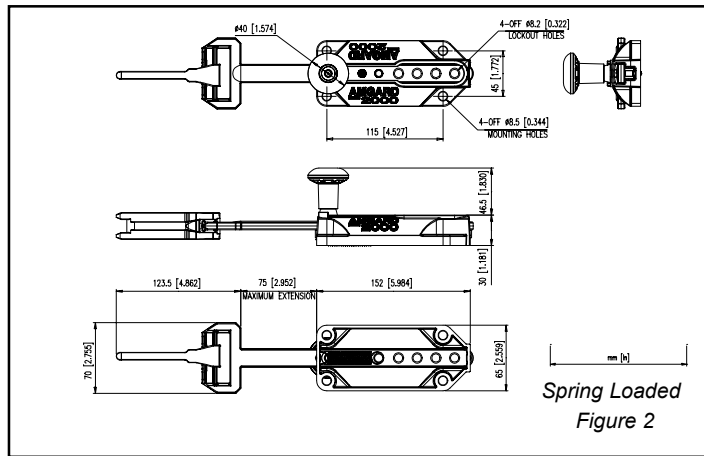
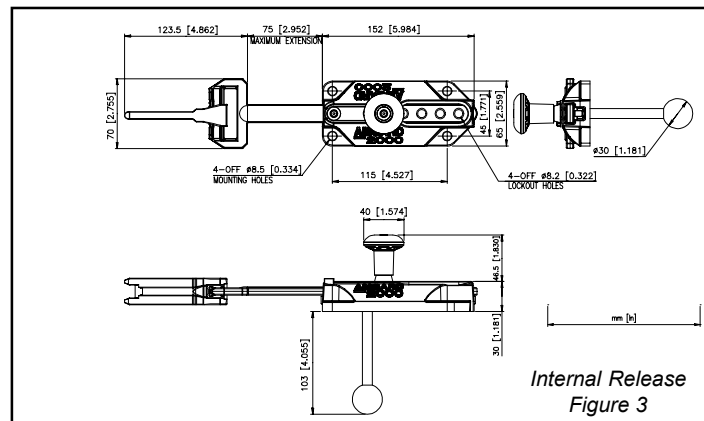


Figure 1



Spring Loaded
Figure 2



Internal Release
Figure 3

To gain access retract the slide bar by pulling the knob against the pressure of the spring until the knob drops into the wider slot. Padlocks may be fitted to the holes in the end of the slide bar to provide a lock-out facility. The Slide Bar is then held in the retracted position until the knob is released.

To restart the machine

Release the knob enabling the tongue to re-enter the Auto Head.

Functionality Internal Release

The internal release Slide Bar can be operated from inside the guarded area but must only be used with an AutoStop4, without additional Safety or Access key (SKA/AKA) modules. In an emergency, the internal lever can be moved away from the AutoStop as far as it will go. The mechanism prevents the operator from restarting the machine from inside the guard.

Testing

The complete guard installation must be tested against the requirements of the host unit. Refer to the Am/Auto Stop/Lok installation instructions. Make sure that the gap around the perimeter of the guard, when closed (Safety Circuits closed), does not exceed the limits specified in EN294 and EN953

Service and Inspection

There are no user serviceable parts in this unit. If damage or wear is found the whole unit must be replaced.

Disposal

This interlock does not contain any certified hazardous materials so should be disposed of as industrial waste. All stainless steel can be recycled.

Liability coverage is voided under the following conditions:

- 1 If these instructions are not followed.
- 2 Non-compliance with safety regulations.
- 3 Installation not performed by authorised personnel.
- 4 Non-implementation of functional checks.

Environmental Specification

The Slide Bar is designed to be safe under the following conditions:

- Environment Type: Indoor
- Max. Altitude: 2000m
- Ambient Temperature: -5°C to +40°C
- Maximum Relative Humidity: 80%@<=31°C, 50%@40°C.

The manufacturer reserves the right to modify the design at any time and without notice. This guide should be retained for future reference.

Fortress Interlocks Limited
148-150 Birmingham New Road
Wolverhampton, UK, WV4 6NT
Tel: +44 (0) 1902 499600
Fax: +44 (0) 1902 499610
E-mail: sales@fortress-interlocks.co.uk
Web Site: www.fortress-interlocks.co.uk

