

### Lock-Out Adaptor & Lock In - Lock Out Adaptor



New **Lock-Out Adaptor** that provides padlocking in the **OFF** position *only*.

**Lock-In, Lock-Out Adaptor** that provides padlocking in the **On** and **OFF** positions.

#### Description

Fortress padlockable adaptors provide customers with an additional safety feature. Dependent upon your requirements we can supply either a Lock-Out or a Lock-In, Lock-Out Adaptor.

The **Lock-Out Adaptor** provides a link with other lockout-tagout safety procedures, providing padlocking *only* in the **OFF** position. Up to 5 padlocks with 7.5mm hasps may be used.

The **Lock-In, Lock-Out Adaptor** provides a link with other lockout-tagout safety procedures, there are two padlock positions for use as a voluntary lockout facility. One padlock with up to 8mm diameter hasp may be used.

Both features quick and easy access, allowing for enhanced supervisor security. They are robust, heavy duty adaptors suitable for hard-wearing applications.

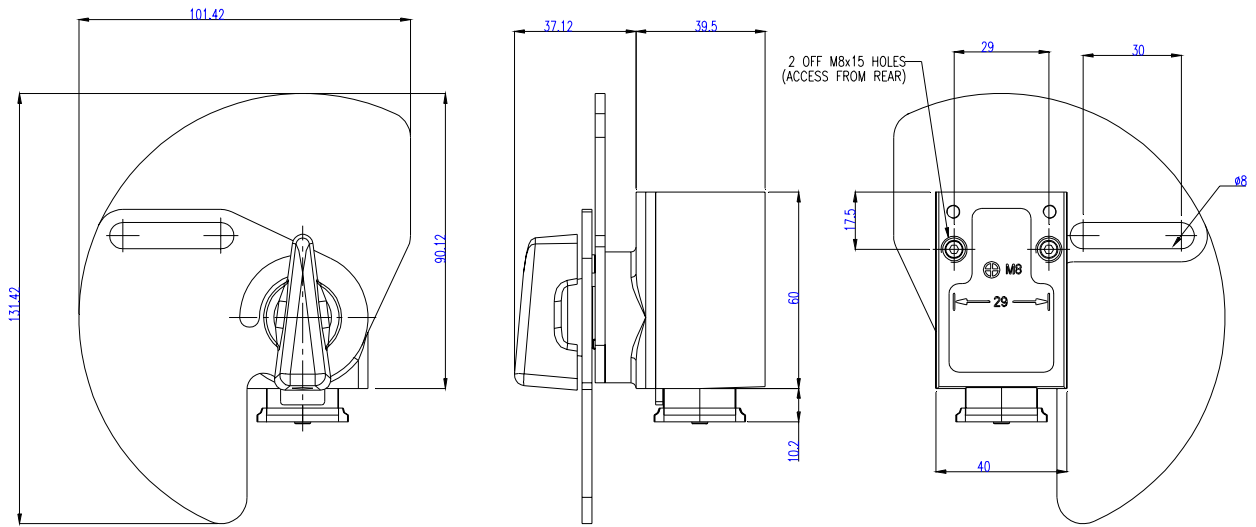
#### Modular Arrangement

Available as a modular assembly, more than one Safety/Access Key, Lock-Out or Lock-In, Lock-Out Adaptor may be fitted to a single interlock in a vertical stack.

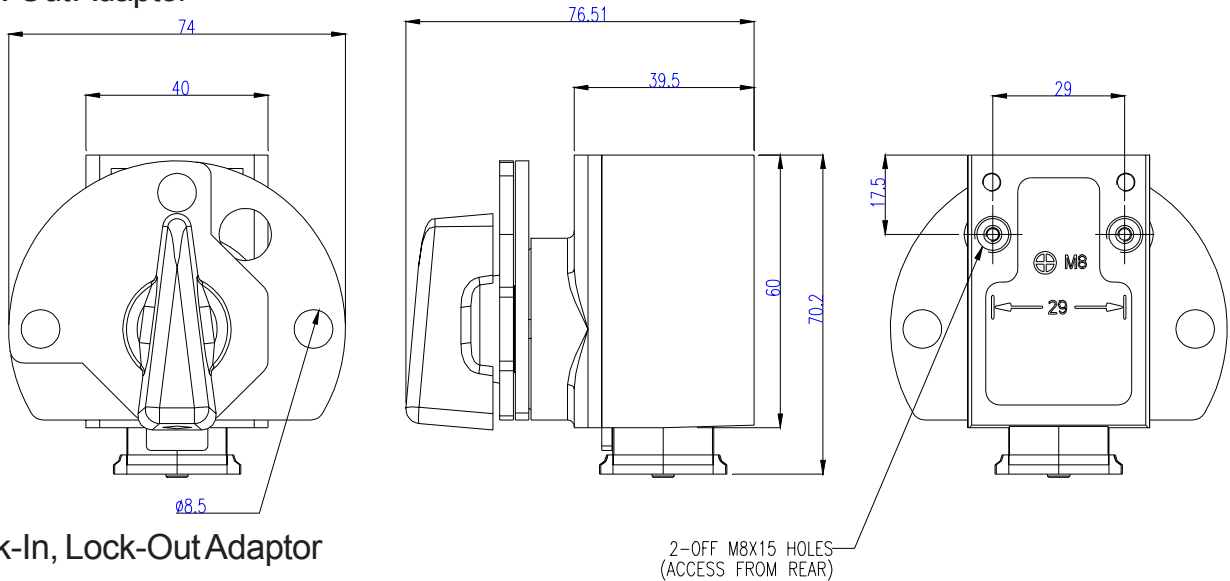
# Fortress Interlocks

## Product Data Sheet

(all dimensions in mm)



Lock-Out Adaptor



Lock-In, Lock-Out Adaptor

### Other Fortress Adaptor Products



### Product Part Number

- PO** Lock-Out Adaptor
- PB** Lock-In, Lock-Out Adaptor