

# C4CK

## SAFETY CONTACTOR WITH A LOCKING KEY

### Version A

- Locked key : 4NO+1NC 8A/250V
- Free key : 4NC+1NO 8A/250V

### Version B

- Locked key : 4NC+1NO 8A/250V
- Free key : 4NO+1NC 8A/250V

- 1 line for cyclical test
- Can work in association with the safety switch AMX5CK

### SAFETY CATEGORY

**C4CK** : category 4 according to EN 954-1 with a safety module (ex : AWAX26XXL)

**8A/250V  
8A/50Vdc**

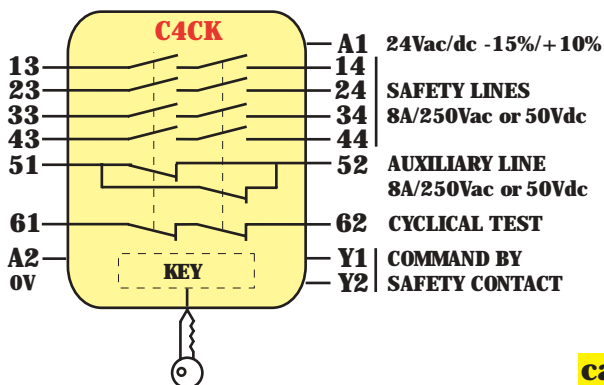
**CAT. 4  
THANKS TO  
THE CYCLICAL  
TEST**



**CODED  
LOCKING KEY**

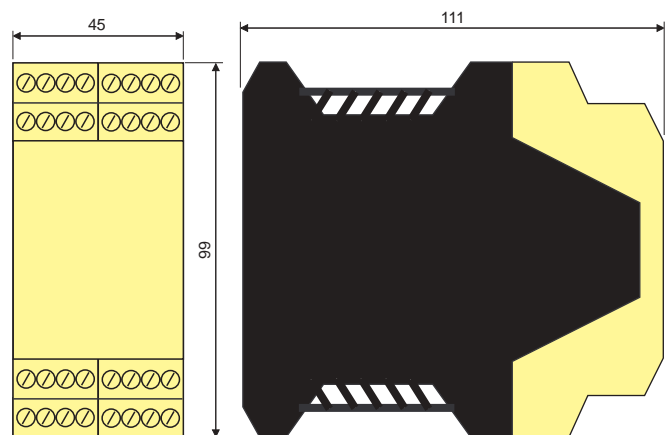
**PLUG IN  
TERMINALS**

### WIRING DIAGRAM



**cat.4**

### DIMENSIONS



### Advice

- \* Condamnation of one area by shunting the safety of an access
- \* Interlocking system with the switch AM5CK