

COM 3 C

two hands control device

- Control of 2 buttons 1NO+ 1NC
- Desynchronism between buttons : 0,4 sec.
- 2NO + 1NC
- Test input (position switches, contactors)
- **DLC** short-circuit monitoring
- **Plug-in** terminals
- 24Vac/dc supply
- 22,5 mm housing

safety category

COM 3 C : IIC type according to EN 574

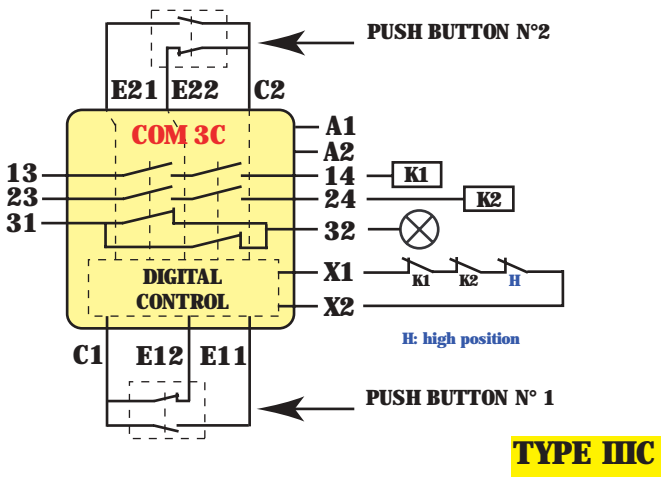
8A/250Vac
8A/50Vdc

POLYVALENT SUPPLY

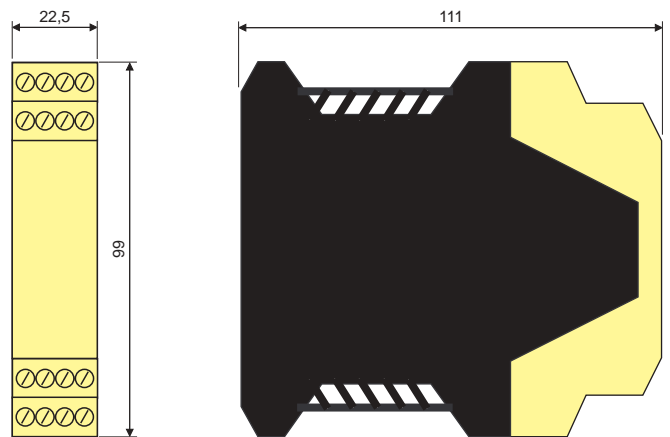


DIGITAL SYSTEM

Wiring diagram



DIMENSIONS



This module disposes of a new digital system allowing to keep a constant delay between the two push buttons (400 ms). It makes this module compatible even with high-speed presses and allows to improve the productivity.

advice

A two -hand control device type IIC designed for a high work frequency in a 22,5 mm housing.