

# AWAX 26XXL AND AWAX 27XXL

## MULTI-FUNCTION MODULES

- Low consumption inputs
- Control of switches with Acotom® process
- Control of mechanical safety systems (grip switch, foot switch...)
- **Dip switch** to choose reset mode (automatic/manual)
- **DLC** system
- Dual area control (Awax27XXL)
- Power supply 24Vac/dc
- 22,5 mm or 45 mm housing
- Plug-in terminals

8A/250Vac  
8A/50Vdc

CATEGORY 4

DLC SYSTEM

UP TO 8 LINES

PLUG IN TERMINALS

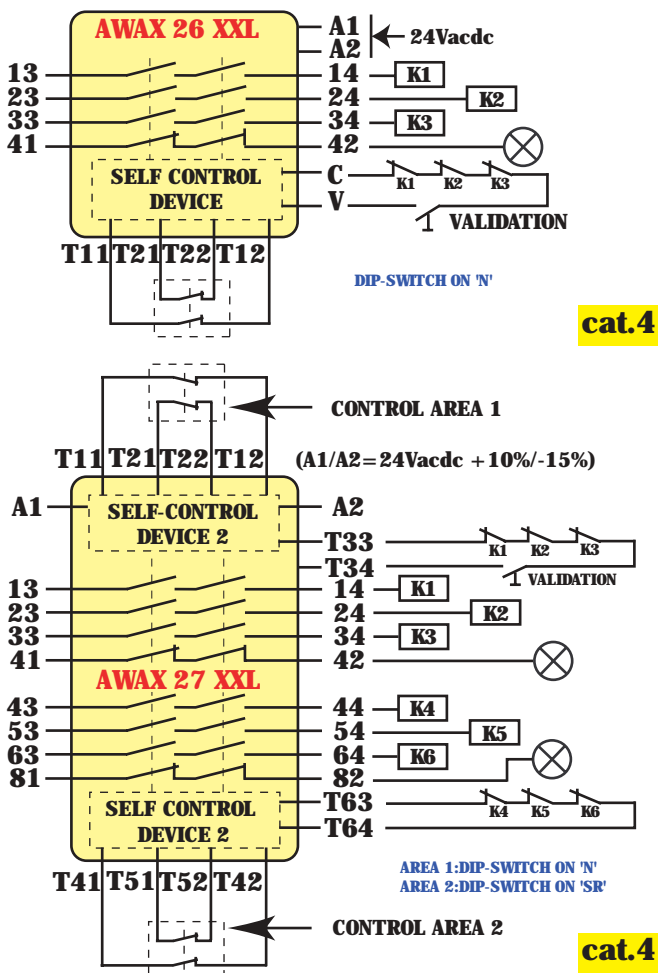
MULTIFUNCTION



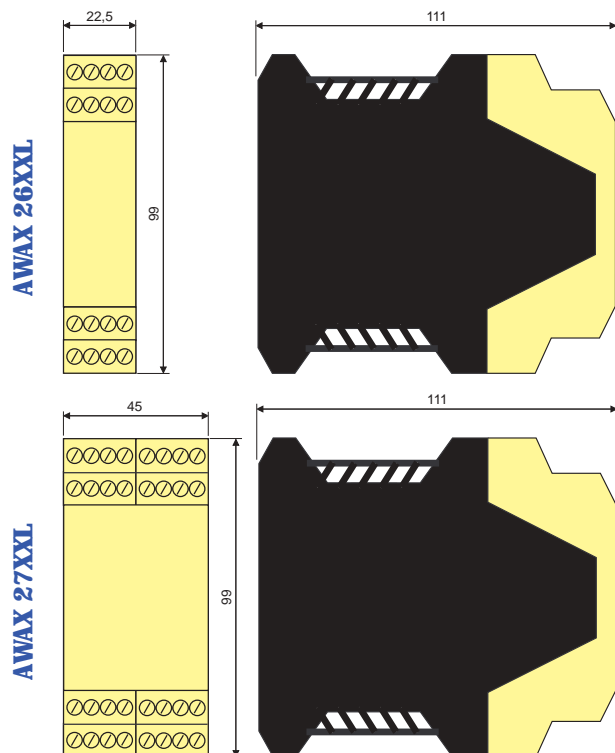
### STANDARD AND SAFETY CATEGORIES

**AWAX26XXL : category 4 according to EN 954-1**  
**AWAX27XXL : category 4 according to EN 954-1**  
 EN 292, EN 418, EN 1088, EN 60204-1

### ELECTRICAL DIAGRAM



### DIMENSIONS



### advice

These safety modules are able to control up to 30 switches if there is an external supply.