

Metal-bodied limit switches

ENM 2

Standard switch according to DIN EN 50041
Protection class IP 65



- Increased number of switching functions for safety applications
- Galvanically separated contacts
- Forced disconnection of NC contacts (type dependant)
- Person-protection function ⊕ (depending on model)
- Protection class IP 65
- Aluminum body and lid
- Operating device: 4 x 90° actuator positions
- Cable entry M 20 x 1.5
- International approvals

Mounting

- 2 x M 5 screws, adjustment via elongated holes
- 2 x M 5 screws for safety applications without additional attachment

Mounting advantages

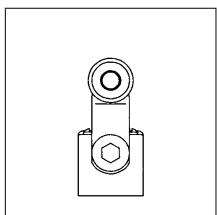
- Increased wiring space
- Earthing surface on same level as switching system
- Turret
Lever: 7.5° / 15° adjustable
- Contact made independent of direction
- Screw terminals with self lifting clamps for easy wiring
- Fine adjustment of switching point via adjusting screw
- Captive lid screws

Options

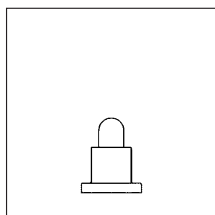
- Latching with contact locking (strain lock-release for safety reasons)
- LED indication of switching status
- EEx certificated versions available acc. ATEX 100 a guideline 94/9/EG
⊕ II 2 G EEx d II C T6
TÜV 03 ATEX 2043 X



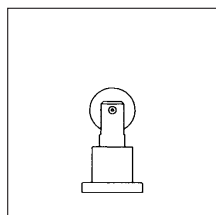
Standard actuating element DIN EN 50041



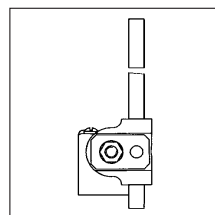
Form A



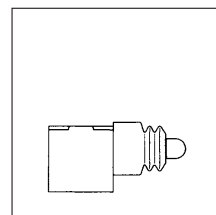
Form B



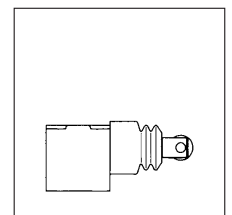
Form C



Form D



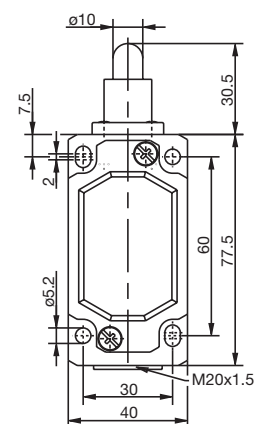
Form F
(available upon request)



Form G
(available upon request)

Standard contact configuration

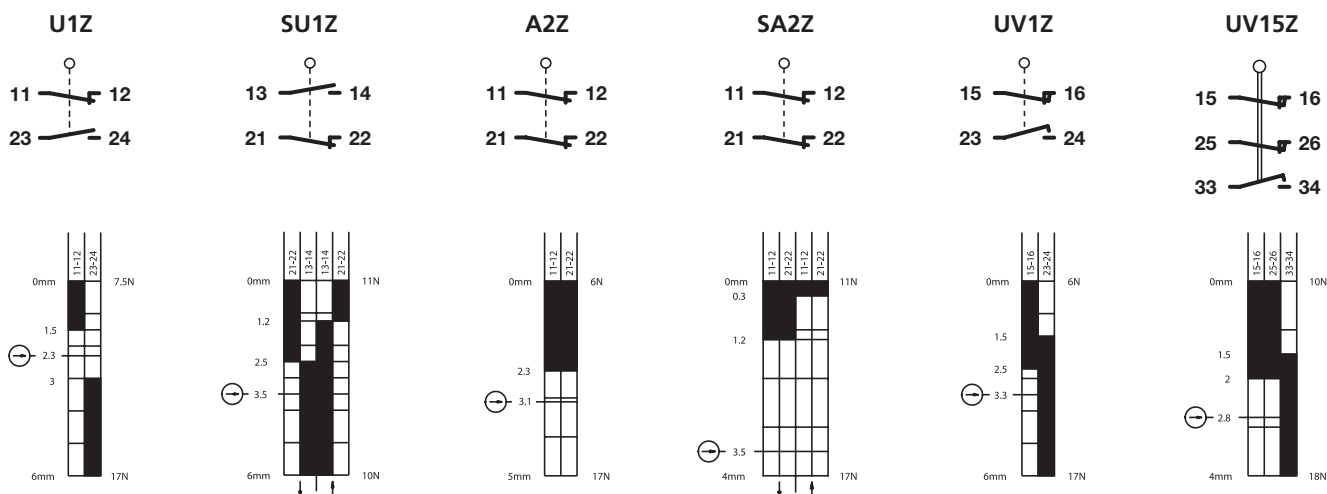
Switching element	Switch function	Switch contact	Designation	Voltage	Continuous current
Slow-action	changeover	1NC/1NO	U1/U1Z	400 V	10 A
Snap-action	changeover	1NC/1NO	SU1/SU1Z	400 V	10 A
Slow-action	normally-closed	2NC	A2/A2Z	400 V	10 A
Snap-action	normally-closed	2NC	SA2/SA2Z	250 V	10 A
Slow-action (overlapping)	changeover	1NC/1NO	UV1/UV1Z	400 V	10 A
Slow-action (overlapping)	changeover	2NC/1NO	UV15/UV15Z	400 V	5 A



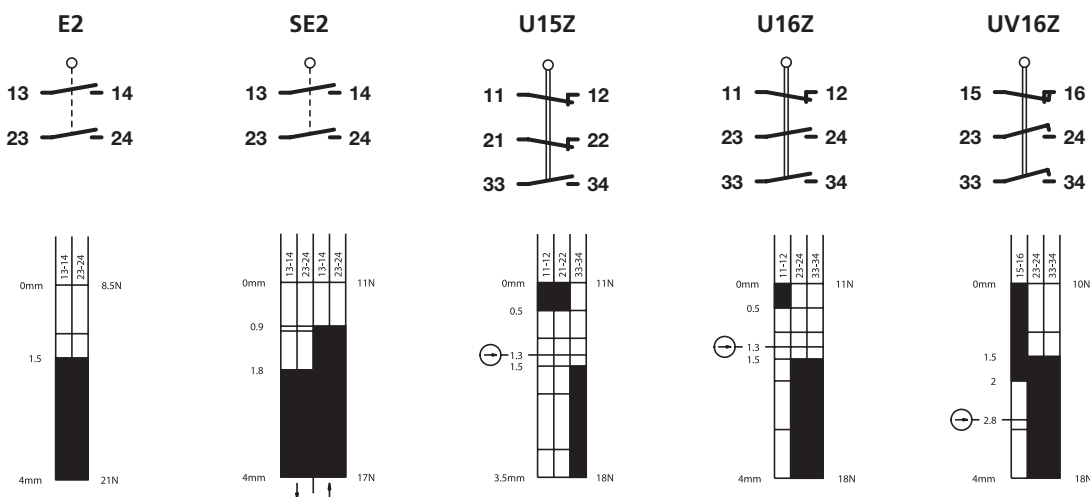
Optional contact configuration

Switching element	Switch function	Switch contact	Designation	Voltage	Continuous current
Slow-action	normally-open	2NO	E2	250 V	10 A
Snap-action	normally-open	2NO	SE2	250 V	10 A
Slow-action	changeover	2NC/1NO	U15/U15Z	400 V	5 A
Slow-action	changeover	1NC/2NO	U16/U16Z	400 V	5 A
Slow-action (overlapping)	changeover	1NC/2NO	UV16/UV16Z	400 V	5 A

Contact travel diagrams and graphic symbols



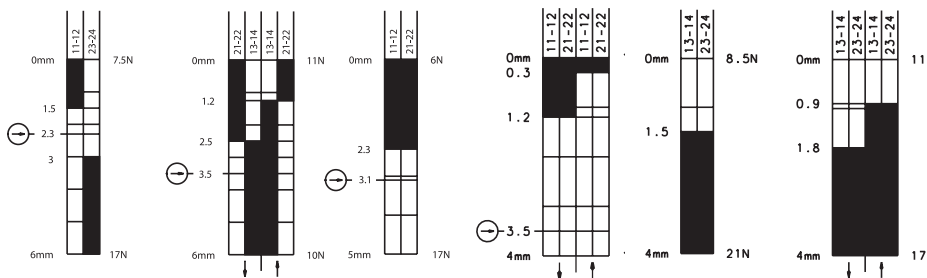
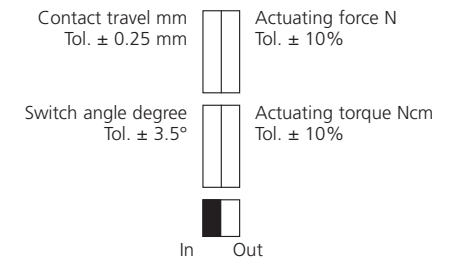
On request





Designation
Part number
 Switching diagram
 ⊕ Positive break according to IEC 947-5-1 Chap. 3
 Za: changeover contact is not galvanically isolated
 Zb: changeover contact is galvanically isolated
 Slow-action contact / snap-action contact
 Gasket inside (iw)/outside (w)

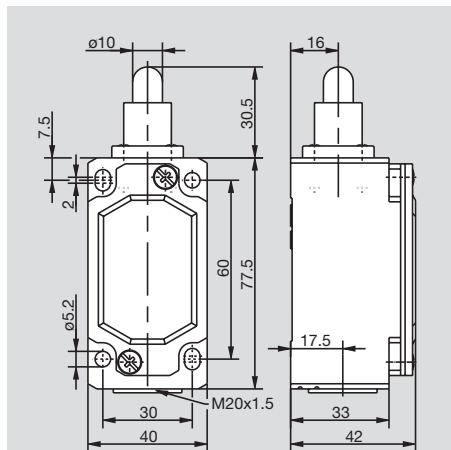
ENM2-U1Z iw	ENM2-SU1Z iw	ENM2-A2Z iw	ENM2-SA2Z iw	ENM2-E2 iw	ENM2-SE2 iw
608.7102.001	608.7352.002	608.7802.003	608.7852.020	608.7802.021	608.7852.022
●/-	-/●	●/-	-/●	●/-	-/●
iw	iw	iw	iw	iw	iw



Voltage	max.	400 V AC
Continuous current	max.	10 A
Making current, acc. to IEC 947-5-1 AC 15/DC 13		●
Switching frequency	max.	100/min.
Mech. operational life – number of switching cycles		10 x 10 ⁵
Ambient temperature	min./max.	-30 °C/+80 °C -22 °F/+176 °F
Standard actuating element	Form	B
Approvals (applied for)		UL, CSA
Weight		0.20 kg
Delivery: ex-stock/built to order		●/-

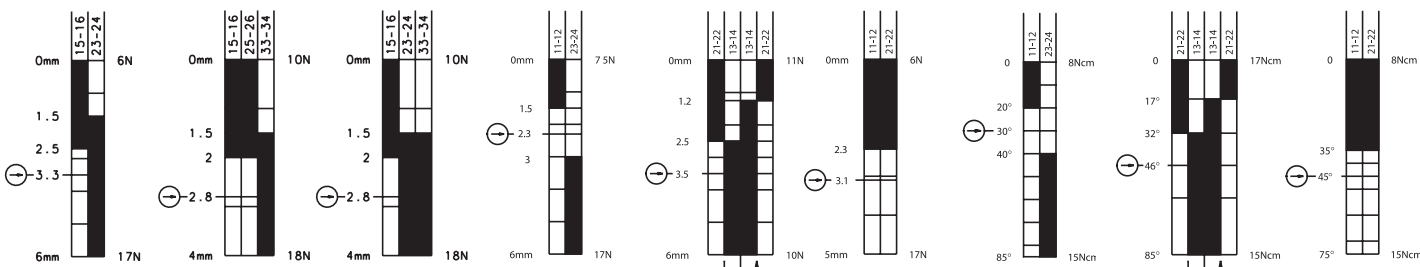
400 V AC	400 V AC	400 V AC	250 V AC	250 V AC	250 V AC
10 A	10 A	10 A	10 A	10 A	10 A
●	●	●	●	●	●
100/min.	100/min.	100/min.	100/min.	100/min.	100/min.
10 x 10 ⁵	10 x 10 ⁵	10 x 10 ⁵	3 x 10 ⁵	3 x 10 ⁵	3 x 10 ⁵
-30 °C/+80 °C -22 °F/+176 °F	-30 °C/+80 °C -22 °F/+176 °F	-30 °C/+80 °C -22 °F/+176 °F	-30 °C/+80 °C -22 °F/+176 °F	-30 °C/+80 °C -22 °F/+176 °F	-30 °C/+80 °C -22 °F/+176 °F
B	B	B	C	C	C
UL, CSA	UL, CSA	UL, CSA	UL, CSA	UL, CSA	UL, CSA
0.20 kg	0.20 kg	0.20 kg	0.20 kg	0.20 kg	0.20 kg
●/-	●/-	●/-	-/●	●/-	-/●

All dimensions in mm

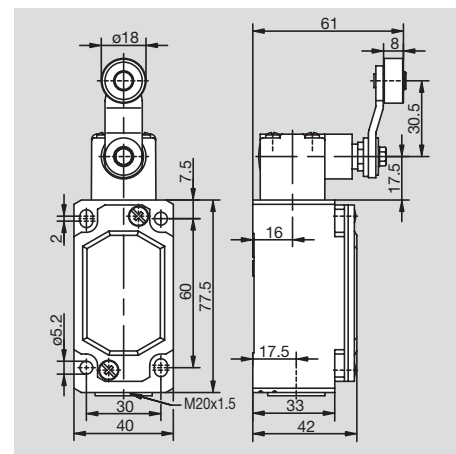
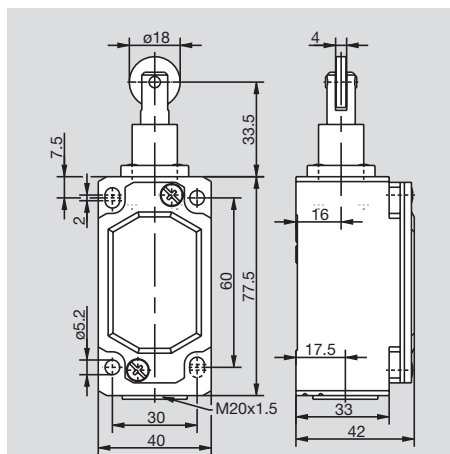




ENM2-UV1Z iw 608.7302.027	ENM2-UV15Z iw 608.7602.024	ENM2-UV16Z iw 608.7602.026	ENM2-U1Z Riw 608.7117.004	ENM2-SU1Z Riw 608.7367.005	ENM2-A2Z Riw 608.7817.006	ENM2-U1Z AHS-V 608.7135.013	ENM2-SU1Z AHS-V 608.7385.014	ENM2-A2Z AHS-V 608.7835.015
●/- iw	●/- iw	●/- iw	●/- iw	-/● iw	●/- iw	●/- iw	-/● iw	●/- iw



400 V AC 10 A ●	400 V AC 5 A ●	400 V AC 5 A ●	400 V AC 10 A ●	400 V AC 10 A ●	400 V AC 10 A ●	400 V AC 10 A ●	400 V AC 10 A ●	400 V AC 10 A ●
100/min. 10 x 10 ⁶ -30 °C/+80 °C -22 °F/+176 °F	100/min. 1 x 10 ⁵ -30 °C/+80 °C -22 °F/+176 °F	100/min. 1 x 10 ⁵ -30 °C/+80 °C -22 °F/+176 °F	100/min. 10 x 10 ⁶ -30 °C/+80 °C -22 °F/+176 °F	100/min. 10 x 10 ⁶ -30 °C/+80 °C -22 °F/+176 °F	100/min. 10 x 10 ⁶ -30 °C/+80 °C -22 °F/+176 °F	100/min. 10 x 10 ⁶ -30 °C/+80 °C -22 °F/+176 °F	100/min. 10 x 10 ⁶ -30 °C/+80 °C -22 °F/+176 °F	100/min. 10 x 10 ⁶ -30 °C/+80 °C -22 °F/+176 °F
C UL, CSA	C UL, CSA	C UL, CSA	C UL, CSA	C UL, CSA	C UL, CSA	A UL, CSA	A UL, CSA	A UL, CSA
0.20 kg ●/-	0.20 kg ●/-	0.20 kg ●/-	0.21 kg ●/-	0.21 kg ●/-	0.21 kg ●/-	0.28 kg ●/-	0.28 kg ●/-	0.28 kg ●/-

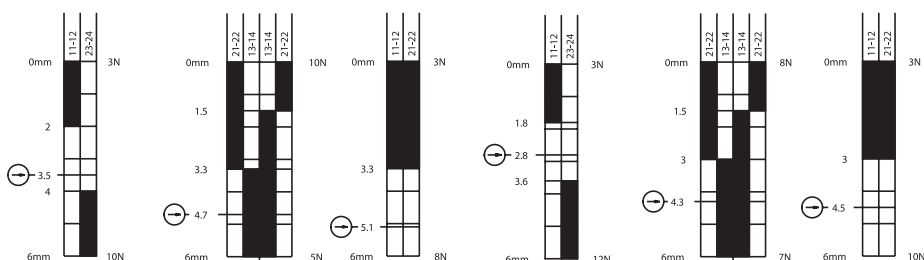




Designation
Part number
 Switching diagram
 ⊕ Positive break according to IEC 947-5-1 Chap. 3
 Za: changeover contact is not galvanically isolated
 Zb: changeover contact is galvanically isolated
 Slow-action contact / snap-action contact
 Gasket inside (iw)/outside (w)

ENM2-U1Z DGHW	ENM2-SU1Z DGHW	ENM2-A2Z DGHW	ENM2-U1Z DGKW	ENM2-SU1Z DGKW	ENM-A2Z DGKW
608.7121.007	608.7371.008	608.7821.009	608.7127.010	608.7377.011	608.7827.012
⊕ Zb	⊕ Zb	⊕ Zb	⊕ Zb	⊕ Zb	⊕ Zb
●/-	-/●	●/-	●/-	-/●	●/-
W	W	W	W	W	W

Contact travel mm
 Tol. ± 0.25 mm
 Actuating force N
 Tol. ± 10%
 Switch angle degree
 Tol. ± 3.5°
 Actuating torque Ncm
 Tol. ± 10%
 In Out



Voltage max.
 Continuous current max.
 Making current, acc. to IEC 947-5-1 AC 15/DC 13
 Switching frequency max.
 Mech. operational life – number of switching cycles
 Ambient temperature min./max.

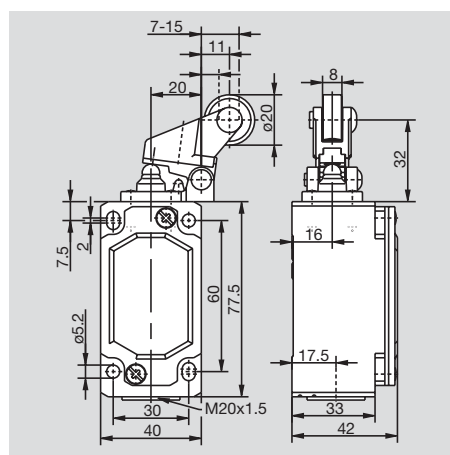
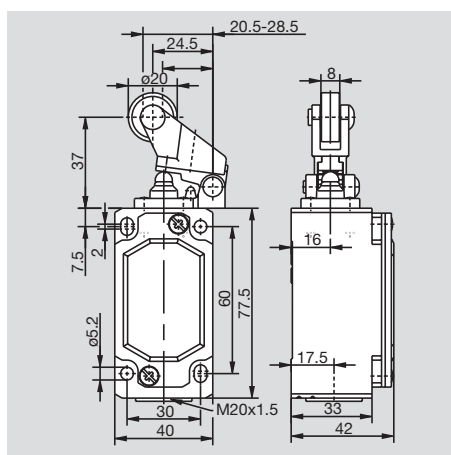
400 V AC	400 V AC	400 V AC	400 V AC	400 V AC	400 V AC
10 A	10 A	10 A	10 A	10 A	10 A
●	●	●	●	●	●
100/min.	100/min.	100/min.	100/min.	100/min.	100/min.
10 x 10 ⁶	10 x 10 ⁶	10 x 10 ⁶	10 x 10 ⁶	10 x 10 ⁶	10 x 10 ⁶
-30 °C/+80 °C	-30 °C/+80 °C	-30 °C/+80 °C	-30 °C/+80 °C	-30 °C/+80 °C	-30 °C/+80 °C
-22 °F/+176 °F	-22 °F/+176 °F	-22 °F/+176 °F	-22 °F/+176 °F	-22 °F/+176 °F	-22 °F/+176 °F

Standard actuating element Form
 Approvals (applied for)
 Weight
 Delivery: ex-stock/built to order

UL, CSA	UL, CSA	UL, CSA	UL, CSA	UL, CSA	UL, CSA
0.23 kg	0.23 kg	0.23 kg	0.23 kg	0.23 kg	0.23 kg
-/●	-/●	-/●	-/●	-/●	-/●

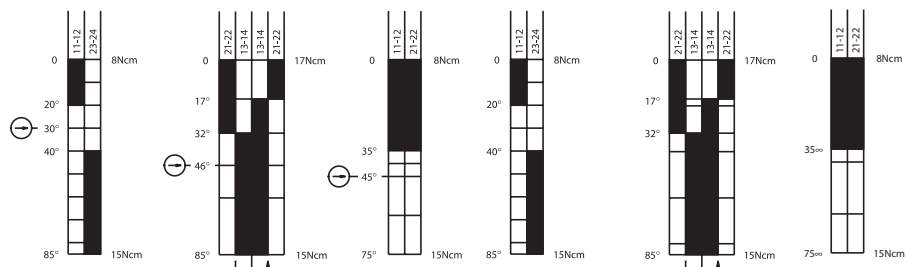
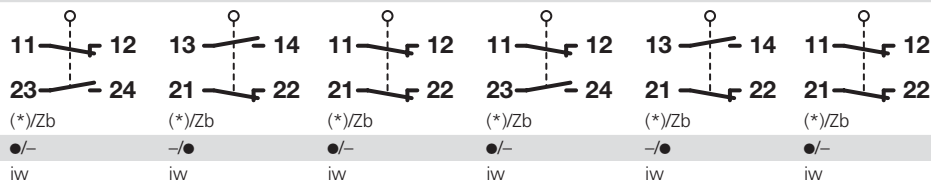
All dimensions in mm

(*) Adjustable operating devices are not recommended for safety applications.





ENM2-U1 AD 608.7137.018	ENM2-SU1 AD 608.7387.019	ENM2-A2 AD 608.7837.029	ENM2-U1 AV 608.7136.016	ENM2-SU1 AV 608.7386.017	ENM2-A2 AV 608.7836.028
----------------------------	------------------------------------	----------------------------	----------------------------	-----------------------------	----------------------------



400 V AC	400 V AC	400 V AC	400 V AC	400 V AC	400 V AC
10 A	10 A	10 A	10 A	10 A	10 A
●	●	●	●	●	●
100/min.	100/min.	100/min.	100/min.	100/min.	100/min.
10 x 10 ⁶	10 x 10 ⁶	10 x 10 ⁶	10 x 10 ⁶	10 x 10 ⁶	10 x 10 ⁶
-30 °C/+80 °C	-30 °C/+80 °C	-30 °C/+80 °C	-30 °C/+80 °C	-30 °C/+80 °C	-30 °C/+80 °C
-22 °F/+176 °F	-22 °F/+176 °F	-22 °F/+176 °F	-22 °F/+176 °F	-22 °F/+176 °F	-22 °F/+176 °F
D	D	D	-	-	-
UL, CSA	UL, CSA	UL, CSA	UL, CSA	UL, CSA	UL, CSA
0.29 kg	0.29 kg	0.29 kg	0.30 kg	0.30 kg	0.30 kg
V-	●/-	-/●	●/-	●/-	-/●

