

Safety Rope Pull switches

SR

Plastic housing
Protection class IP 67

EMERGENCY STOP switch gear
acc. IEC 947-5-5

Integrated EMERGENCY STOP push button

Quick mounting device for rope installation



Safe:

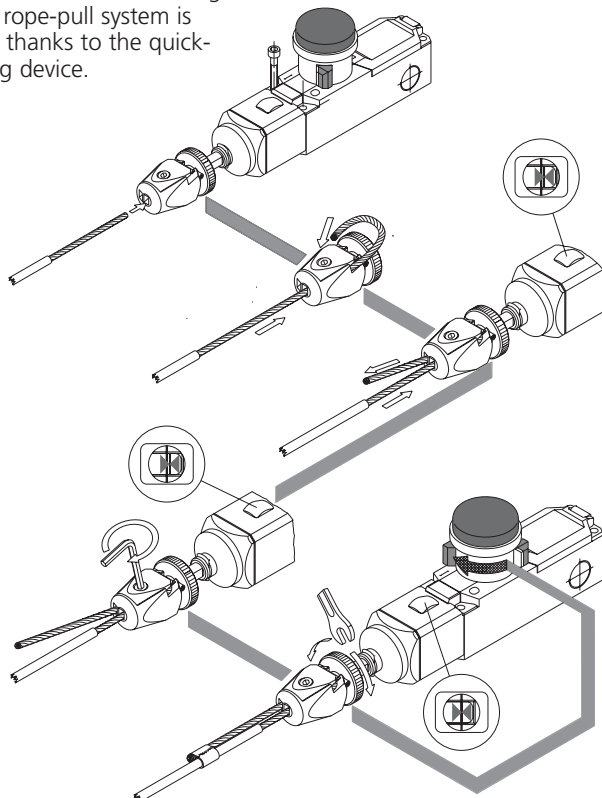
- The EMERGENCY STOP function is enabled by positive-break safety contacts following actuation or failure of the rope-pull system.
- The SR ... NA QF has an integrated EMERGENCY STOP push button, which, due to its design, is particularly well protected against external mechanical influences and blocking.

Flexible:

- 2 NC and 2 NO contacts is the standard contact configuration. According to customer preference, separate specification of the 4 switching elements is possible; thus allowing system integration close to the application.

Fast:

- The fast rope attachment of the SR ... NA QF is shown in the drawing on the left. The rope-pull system is quickly installed thanks to the quick-change clamping device.



- The correct rope tension is clearly and visibly indicated.
- Also clearly recognisable reset function, of the E-STOP device.
- The electrical connection is made via "cage clamp"-connection terminals.

Reliable:

- The glass-fibre reinforced polyamide housing can cope with the roughest operating conditions. The SR is mounted using a mounting plate made of metal.
- Protection class IP 67.

In the future:

- Two integrated diffuse reflective sensors are to be offered, which will signal if the rope tension is exceeded. This facilitates "preventative maintenance".

Designation

Part number

Switching diagram

⊕ Forced disconnect

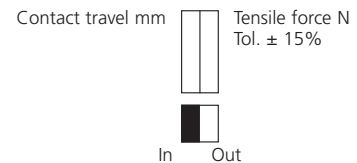
IEC 947-5-1 Chap. 3

Za: changeover contact is not galvanically isolated

Zb: changeover contact is galvanically isolated

Slow-action contact/snap-action contact

Latching mechanism



Voltage max.

Continuous terminal current max.

Utilization category acc. to IEC 947-5-1 AC 15 /DC 13

Switching frequency max.

Mech. operational life acc. to IEC 947-5-5

Ambient temperature min./max.

Approvals

cable conduit

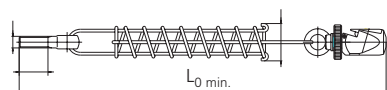
Weight

Delivery: ex stock/built to order

All dimensions in mm

Rope-Pull Return-Spring

with protection against overload



Application:

Spring SR-Type 100/175 SR-Type 300

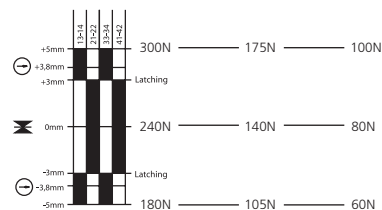
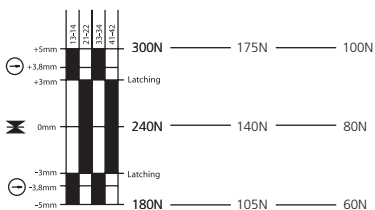
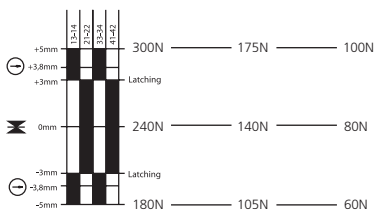
Part number 391.1042.153 391.1042.154

L_{0 min.} 383 483

L_{max.} 487 653



| SR-UZZ-NA-QF 300 | SR-UZZ-NA-QF 175 | SR-UZZ-NA-QF 100 | SR-UZZ-QF 300 | SR-UZZ-QF 175 | SR-UZZ-QF 100 | SR-UZZ 300 | SR-UZZ 175 | SR-UZZ 100 |
|---------------------|---------------------|---------------------|---------------------|---------------------|---------------------|---------------------|---------------------|---------------------|
| 601.1629.019 | 601.1629.027 | 601.1629.031 | 601.1629.028 | 601.1629.024 | 601.1629.032 | 601.1620.020 | 601.1621.026 | 601.1621.030 |
| | | | | | | | | |
| ⊖ Zb | ⊖ Zb | ⊖ Zb | ⊖ Zb | ⊖ Zb | ⊖ Zb | ⊖ Zb | ⊖ Zb | ⊖ Zb |
| ●/- | ●/- | ●/- | ●/- | ●/- | ●/- | ●/- | ●/- | ●/- |



| | | | | | | | | |
|----------------|----------------|----------------|----------------|----------------|----------------|----------------|----------------|----------------|
| 250 VAC | 250 VAC | 250 VAC | 250 VAC | 250 VAC | 250 VAC | 250 VAC | 250 VAC | 250 VAC |
| 10 A | 10 A | 10 A | 10 A | 10 A | 10 A | 10 A | 10 A | 10 A |
| 230 V/4 A | 230 V/4 A | 230 V/4 A | 230 V/4 A | 230 V/4 A | 230 V/4 A | 230 V/4 A | 230 V/4 A | 230 V/4 A |
| (AC 15) | (AC 15) | (AC 15) | (AC 15) | (AC 15) | (AC 15) | (AC 15) | (AC 15) | (AC 15) |
| 20/min. | 20/min. | 20/min. | 20/min. | 20/min. | 20/min. | 20/min. | 20/min. | 20/min. |
| ● | ● | ● | ● | ● | ● | ● | ● | ● |
| -25 °C/+70 °C | -25 °C/+70 °C | -25 °C/+70 °C | -25 °C/+70 °C | -25 °C/+70 °C | -25 °C/+70 °C | -25 °C/+70 °C | -25 °C/+70 °C | -25 °C/+70 °C |
| -13 °F/+158 °F | -13 °F/+158 °F | -13 °F/+158 °F | -13 °F/+158 °F | -13 °F/+158 °F | -13 °F/+158 °F | -13 °F/+158 °F | -13 °F/+158 °F | -13 °F/+158 °F |

| | | | | | | | | |
|--------------|--------------|--------------|--------------|--------------|--------------|--------------|--------------|--------------|
| BG, c CSA us | BG, c CSA us | BG, c CSA us | BG, c CSA us | BG, c CSA us | BG, c CSA us | BG, c CSA us | BG, c CSA us | BG, c CSA us |
| 3x M20 x 1.5 | 3x M20 x 1.5 | 3x M20 x 1.5 | 3x M20 x 1.5 | 3x M20 x 1.5 | 3x M20 x 1.5 | 3x M20 x 1.5 | 3x M20 x 1.5 | 3x M20 x 1.5 |
| 0.6 kg | 0.6 kg | 0.6 kg | 0.6 kg | 0.6 kg | 0.6 kg | 0.5 kg | 0.5 kg | 0.5 kg |
| ●/- | ●/- | ●/- | ●/- | ●/- | ●/- | ●/- | ●/- | ●/- |

