

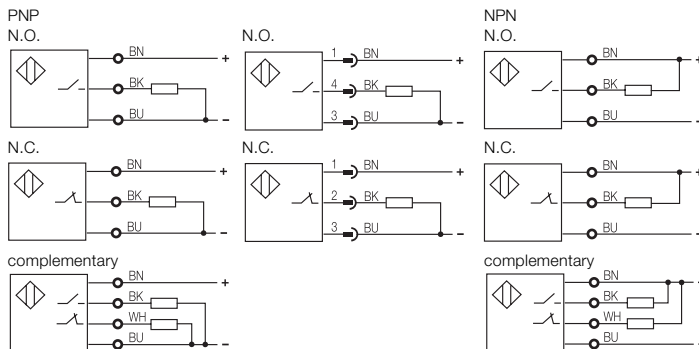
These series offer the advantages of the inductive system combined with those of our mechanical housing series for position switches.

The basis of all electrical variants is the wide variety of cylindrical sensors.

### Features

- Reliable inductive principle
- All switches equipped with LED
- Mounting dimensions of standardized mechanical housing styles can be used
- Easy to combine with bus-compatible system or customer-specific connectors

### Wiring diagrams



Series/housing size	
Mounting	
Rated operating distance $s_n$	
Assured operating distance $s_a$	



PNP	Normally-open	
	Normally-closed	
	Complementary	
NPN	Normally-open	
	Normally-closed	
	Complementary	

Rated operational voltage $U_e$	
Supply voltage $U_B$	
Voltage drop $U_d$ at $I_e$	
Rated insulation voltage $U_i$	
Rated operational current $I_e$	
No-load supply current $I_0$ max.	
Off-state current $I_r$	
Protected against polarity reversal	
Short circuit protected	
Load capacity	

Repeat accuracy R	
Ambient temperature range $T_a$	
Frequency of operating cycles f	
Utilization category	
Function indication	

Degree of protection per IEC 60529	
------------------------------------	--

Housing material	
Material of sensing face	
Connection	
Max. cross section for connection	

Recommended connector	
Connectors see page 3.14	



# Inductive Single Position Switches

Series  
H2 and H3

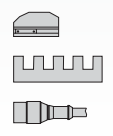
H2/42×48×22 flush 5 mm 0...4.1 mm	H2/42×48×22 flush 5 mm 0...4.1 mm	H2/42×48×22 flush 5 mm 0...4.1 mm	H3/74×60.5×28 flush 7 mm 0...5.7 mm
BES 516-346-H2-Y-S 4 BES 516-341-H2-Y-S 4	BES 516-346-H2-Y-S 49	BES 516-346-H2-Y BES 516-341-H2-Y	BES 516-161-H3-L
		BES 516-344-H2-Y BES 516-340-H2-Y	BES 516-160-H3-L
24 V DC 10...30 V DC ≤ 3.5 V 75 V DC 130 mA ≤ 25 mA ≤ 80 µA yes yes ≤ 1 µF	24 V DC 10...30 V DC ≤ 3.5 V 75 V DC 130 mA ≤ 25 mA ≤ 80 µA yes yes ≤ 1 µF	24 V DC 10...30 V DC ≤ 3.5 V 75 V DC 130 mA ≤ 25 mA ≤ 80 µA yes yes ≤ 1 µF	24 V DC 10...30 V DC ≤ 1.5 V 75 V DC 400 mA ≤ 30 mA ≤ 130 µA yes no ≤ 1 µF
≤ 5 % -25...+70 °C 500 Hz DC 13 yes	≤ 5 % -25...+70 °C 500 Hz DC 13 yes	≤ 5 % -25...+70 °C 500 Hz DC 13 yes	≤ 5 % -25...+70 °C 300 Hz DC 13 yes
IP 67	IP 67	IP 67	IP 67
GD-Al anodized PA 12 connector	GD-Al anodized PA 12 connector	GD-Al anodized PA 12 screw terminals up to 2.5 mm <sup>2</sup>	GD-Al anodized PA 12 screw terminals up to 2.5 mm <sup>2</sup>
BKS-__ 19/BKS-__ 20	BKS-__ 48/BKS-__ 49		

3

Multiple position switches series  
602-11  
610-11  
611-11  
612-11  
613-11  
605-11  
603-11  
650-11  
Single position switches series  
H2  
H3

5

Accessories  
Spare parts



For more sensors see main catalog "The Sensor Line" on CD-ROM or online!

