

■ Inductive Sensors

BES M12MI-NSC20B-S04G

DC 3-Wire

Sn 1.5 mm, 2 mm



Trademark

Black Line

Common Data

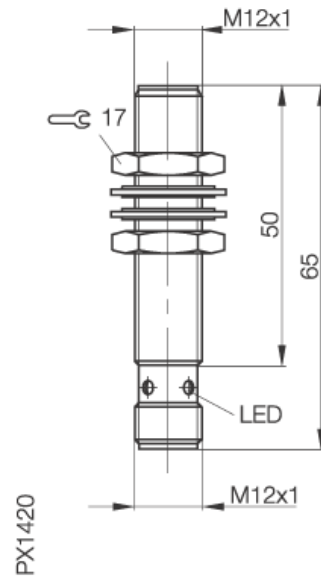
Mounting	-	shielded
Rated operating distance Sn	mm	2.0
Assured operating distance Sn	mm	0...1.6
Repeatability	%	<= 5
Hysteresis	%	<= 15
Function indication	-	yes
Ambient temperature range	°C	-25...+70
Polution Degree	-	3
IEC-Code	-	I1A12AN2
Time delay before availability	ms	<= 10

Mechanical Data

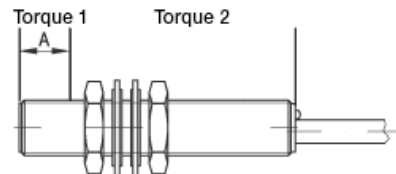
Housing Size	mm	cyl. M12
Measurements BxHxT or DxT	mm	M12x1 x 65
Housing material	-	nickel plated brass
Material of sensing face	-	PA 12
Degree of protection	IP	68 acc. BWN Pr 20
Connection	-	Connector S4

Electrical Data

Current type	-	DC
Wiring	-	3-Wire
Switching function	-	normally-open
Output signal	-	NPN
Rated operational Voltage	V	24 DC
Rated operational current	mA	200
Supply voltage	V	12...30 DC
Ripple	% v.	<= 15
Related supply frequency	Ub	1200
No-load supply current	Hz	<= 15
Off-state current	mA	<= 20
Voltage drop	µA	<= 2.5/-
Short circuit protection	V	yes
Protected against polarity rev	-	yes



■ Tightening torque:



Torque 1 Nm 15

If only torque1 is indicated, this applies to entire thread

If not differently indicated, all values by IEC 60947-5-2 (DIN EN60947-5-2) Specifications subject to change