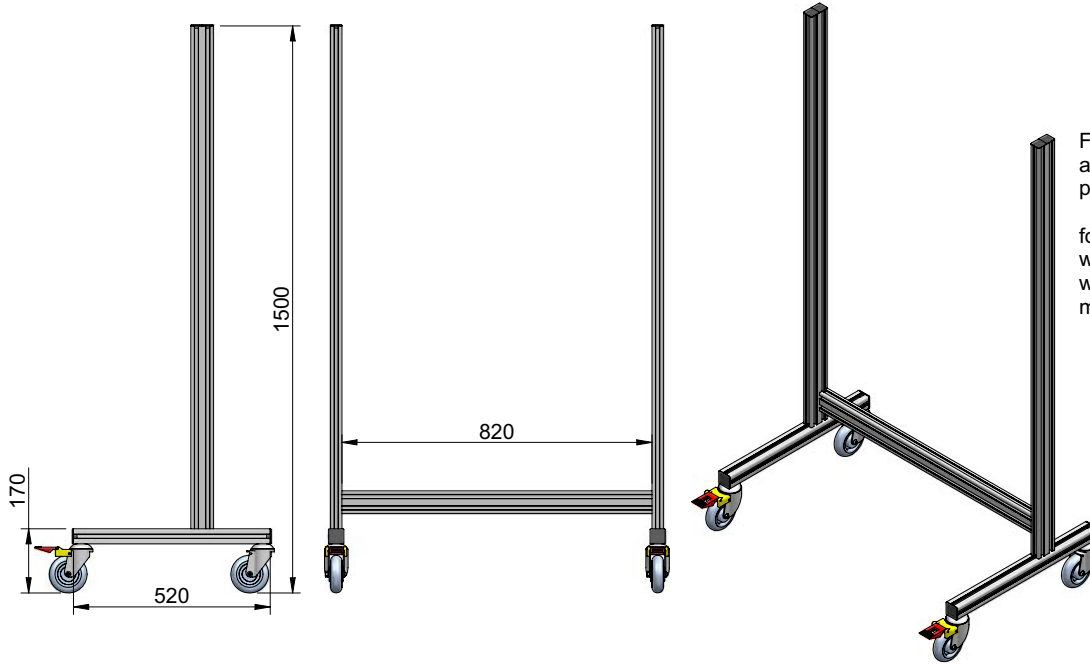


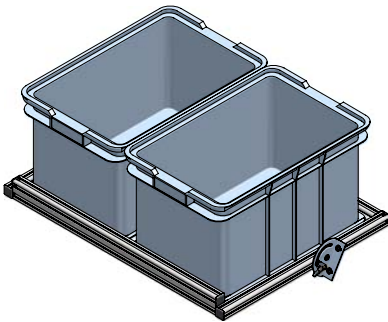
assembly trolleys - 820 series
overview



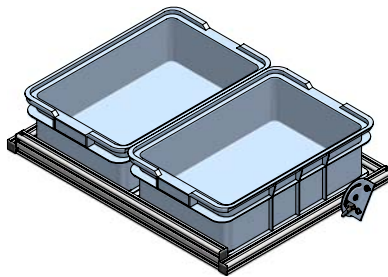
Frame made from 40x40 and 30x60 aluminium profiles

four swivel castors, wheel \varnothing 100mm, two with brakes
max. load: 160kg

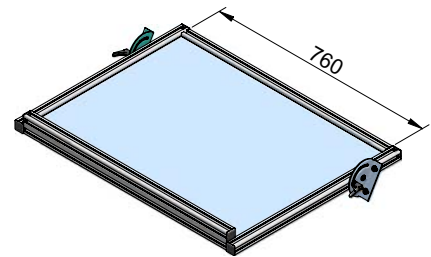
50lt container



25lt container

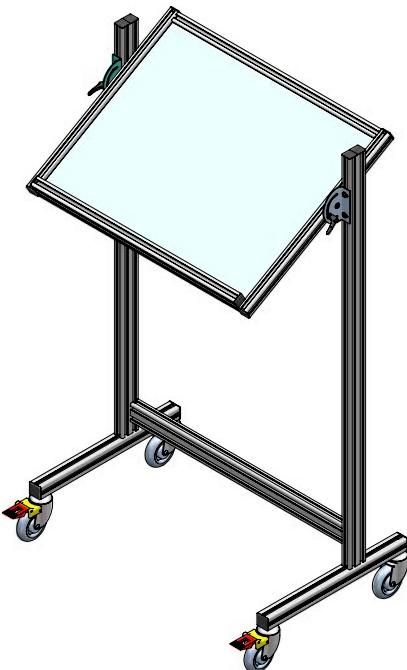


adjustable shelf with tilt brackets
frame - 30x30 and 30x60 profile
board - 8mm melamine board



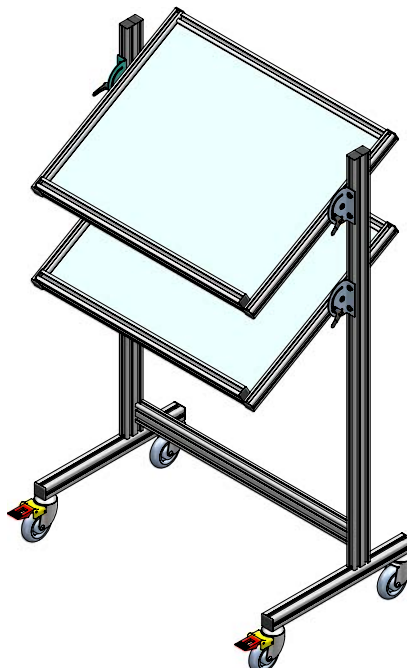
model 820-1

one adjustable shelf
max. load: 40kg/shelf



model 820-2

two adjustable shelves
max. load: 40kg/shelf



model 820-3

three adjustable shelves
max. load: 40kg/shelf

