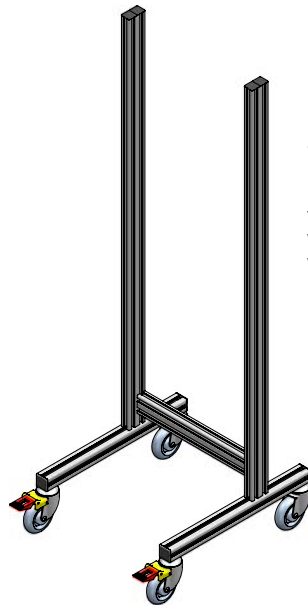
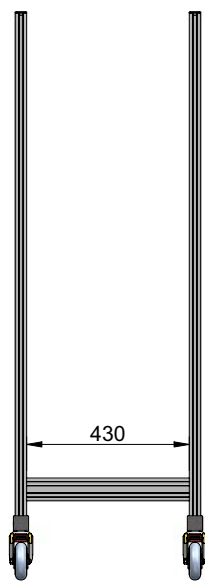
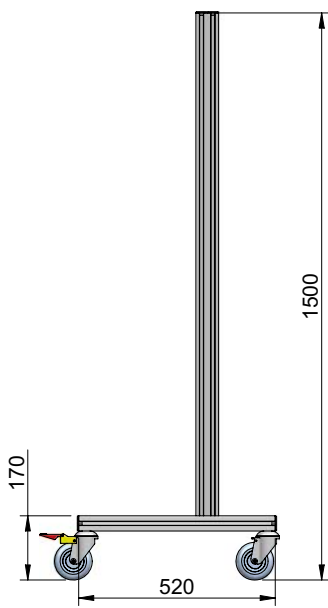


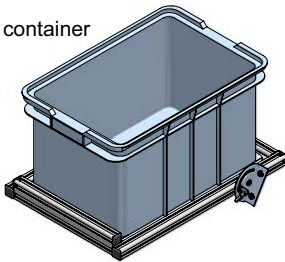
assembly trolleys - 430 series
overview



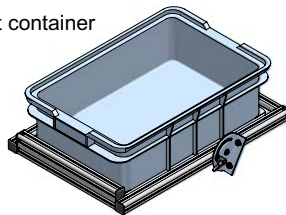
Frame made from 40x40
and 30x60 aluminium
profiles

four swivel castors,
wheel Ø100mm, two
with brakes
max. load: 160kg

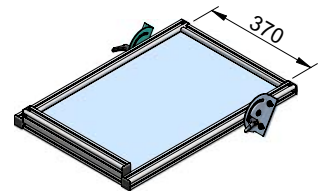
50lt container



25lt container

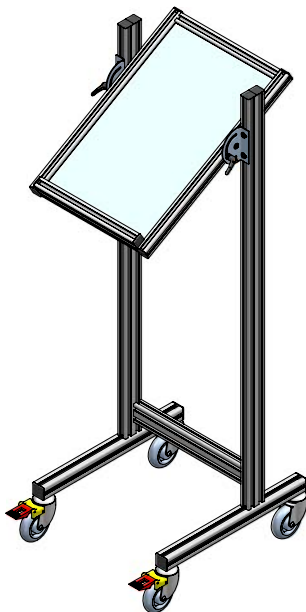


adjustable shelf with tilt brackets
frame - 30x30 and 30x60 profile
board - 8mm melamine board



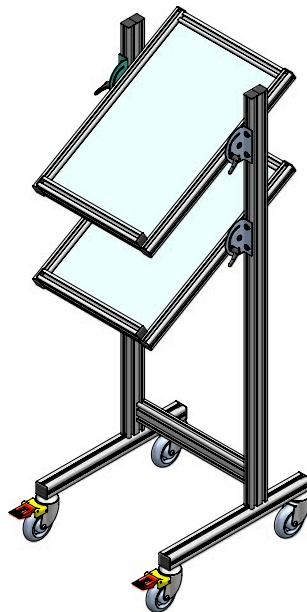
model 430-1

one adjustable shelf
max. load: 25kg/shelf



model 430-2

two adjustable shelves
max. load: 25kg/shelf



model 430-3

three adjustable shelves
max. load: 25kg/shelf

