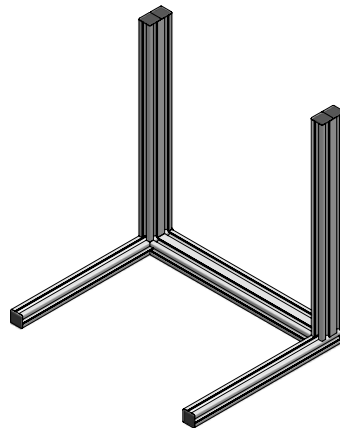
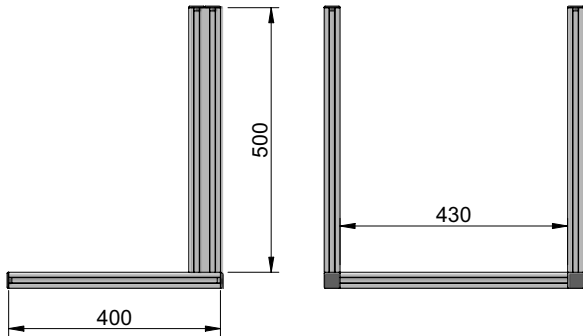
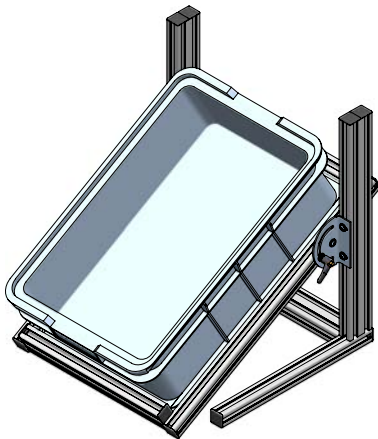


container stand - 370 series
overview

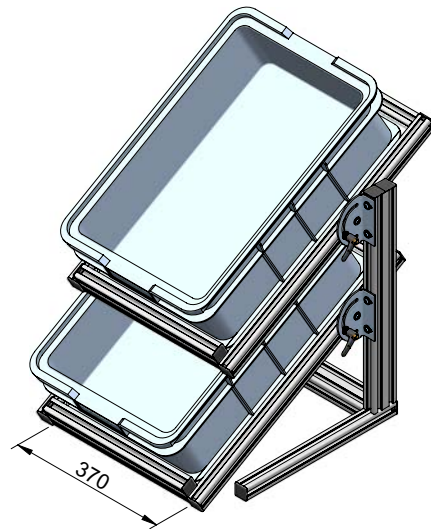


Frame made from 30x30
and 30x60 aluminium
profiles



model 370-1

one adjustable shelf
max. load: 25kg/shelf



model 370-2

two adjustable shelves
max. load: 25kg/shelf

