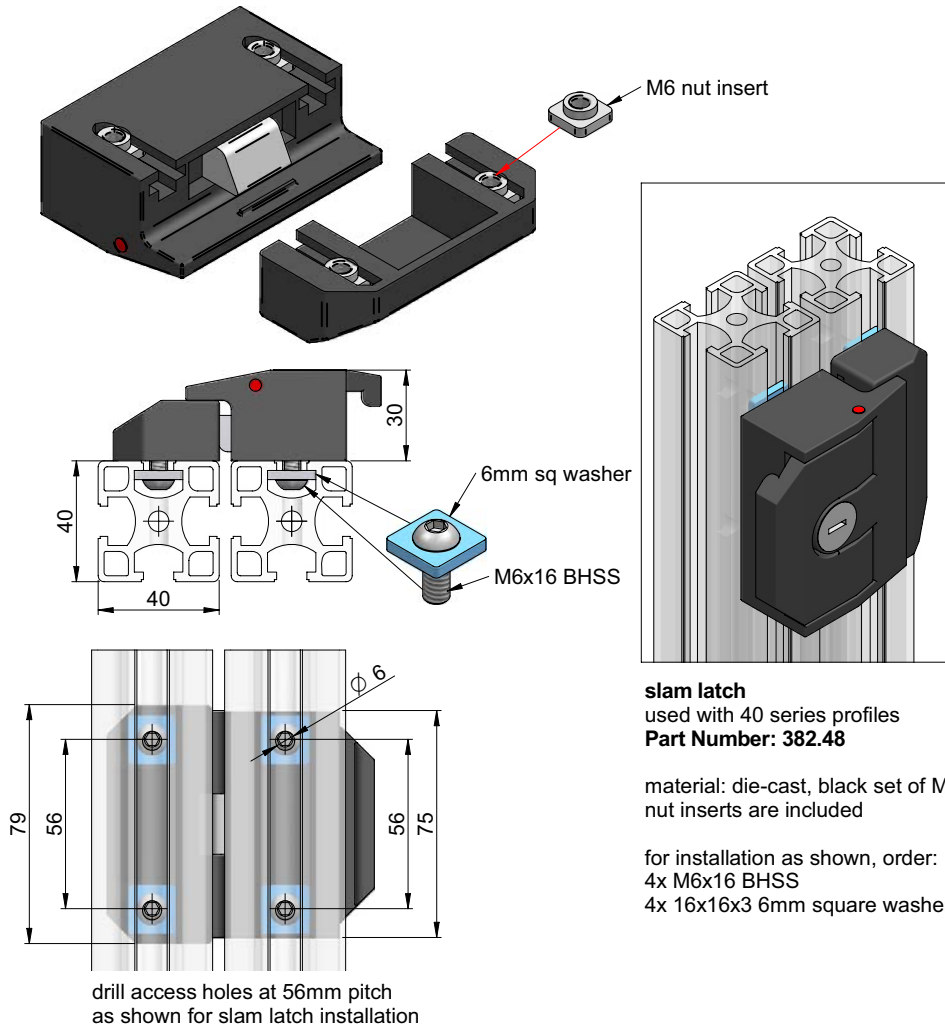


slam latch 40 series profiles
door lock 30 series profiles

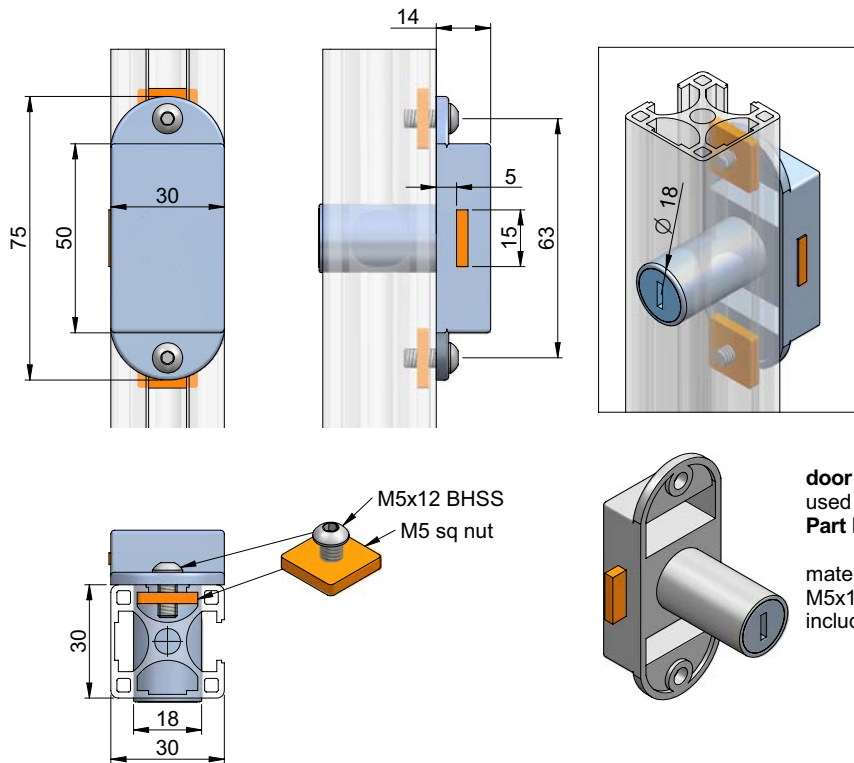


application
for locking and securing hinged doors, can be used for left-hand or right-hand installation
suitable for machine enclosures, fencing or cabinet doors

slam latch
used with 40 series profiles
Part Number: 382.48

material: die-cast, black set of M6 nut inserts are included

for installation as shown, order:
4x M6x16 BHSS
4x 16x16x3 6mm square washers



application
for locking and securing light duty hinged doors on computer enclosures or small cabinets

door lock
used with 30 series profiles
Part Number: 382.58

material: die-cast, chrome plated
M5x12 BHSS and sq nuts are included