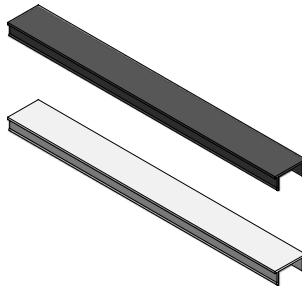
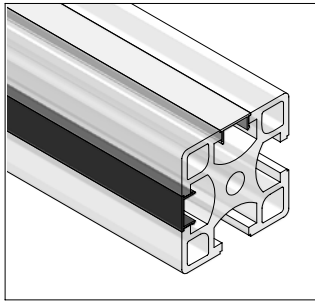


cover strip, end caps
cable duct with coextruded lid



application

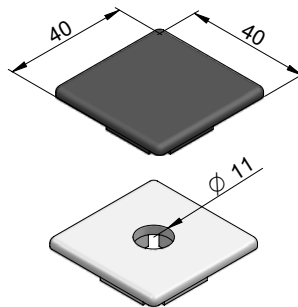
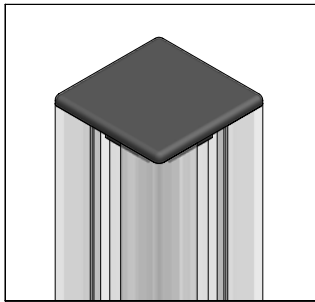
enhances the appearance of the finished installation

securing electrical cables and pneumatic tubes laid in the slot

cover strip - black
Part Number: 265.50

cover strip - grey
Part Number: 265.52

material: PVC rigid, max. L = 2000mm



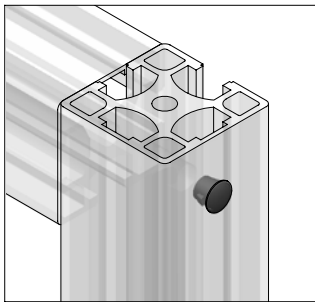
application

it is recommended to insert end caps to all exposed ends of profiles, including castors and levelling feet as a safety measure as sharp corners of profiles may cause injury

end cap 30x30 (black or grey)
Part Number: 370.11

end cap 40x40 (black or grey)
Part Number: 370.12

material: PA 6 (black or grey)

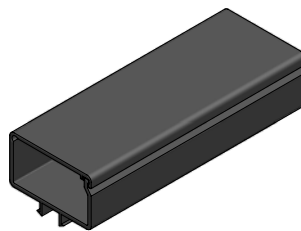
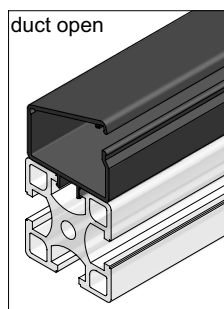
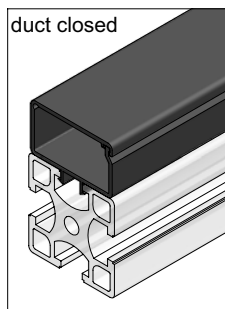


application

to cover access hole after profile connection

8mm plastic plug
Part Number: 265.52

material: PA 6 black
Please note: hole size to be 8mm



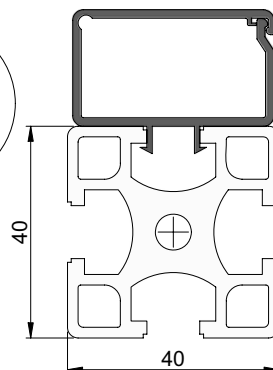
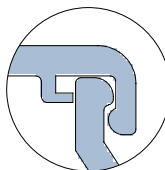
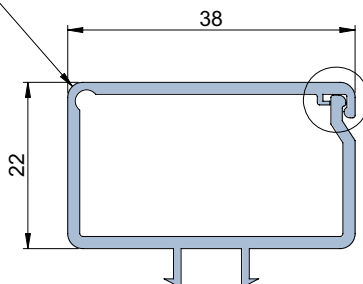
application

to house excess electrical cables or pneumatic tubes

no tools required, just insert into slot

suitable for 30 and 40 series profiles

coextruded hinge



cable duct, black
Part Number: 265.80

material: rigid PVC with coextruded hinge
max. L=2000mm