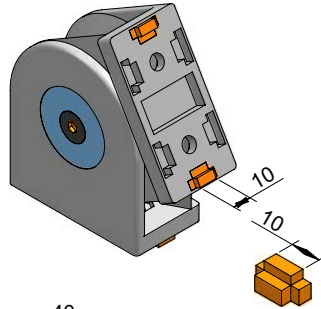
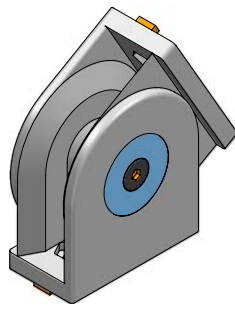
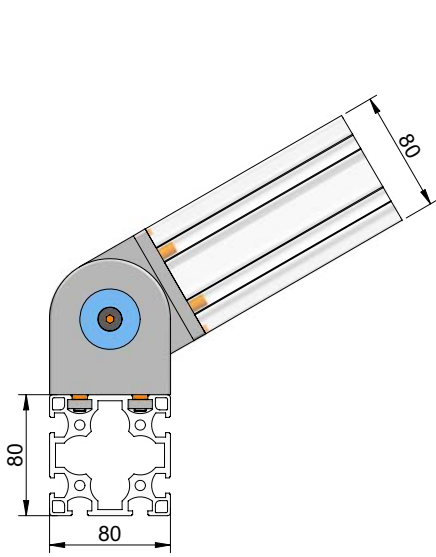


heavy duty hinge 40x80
for 40 series profiles



heavy duty hinge 40x80
Part Number 373.91

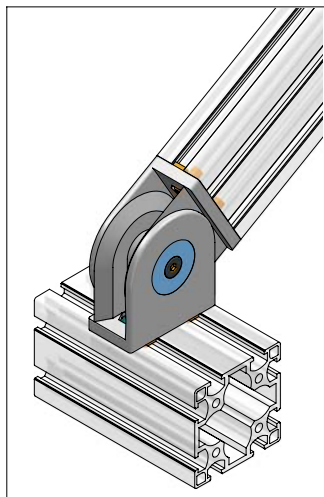
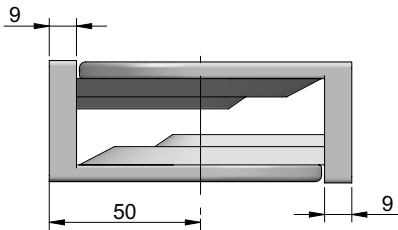
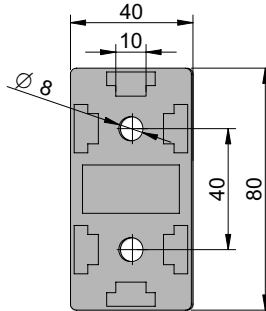
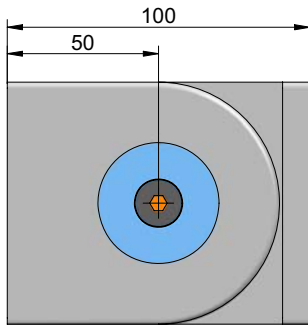
for connecting profiles at various angles, suits 40 series profiles supplied with twelve locating blocks

Material: Zn/cast

locating block inserted into hinge base according to aluminium profile slot direction

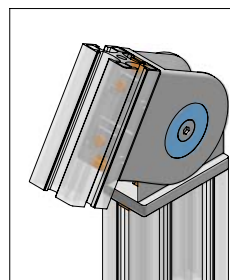
six blocks for end profile connection

two or four blocks for profile slot connection



1.

possible uses:
1. 80x80 to 40x80 profile
2. 40x80 to 40x40 profile



2.