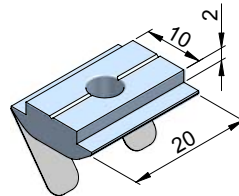
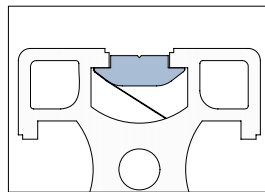
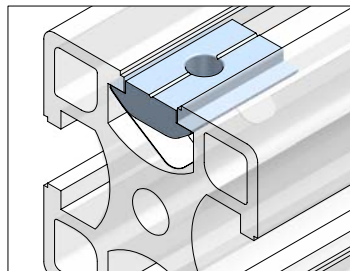
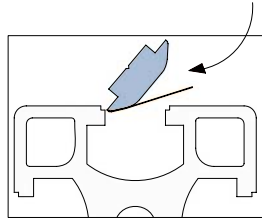
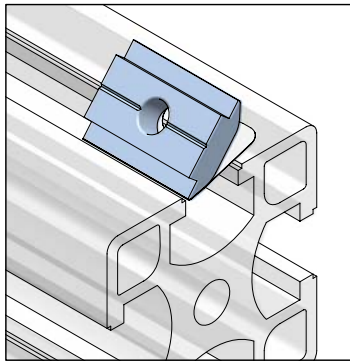


spring nuts for 40 series profiles  
 slot nuts for 30 and 40 series profiles



typical application

can be inserted at any point in the profile slot

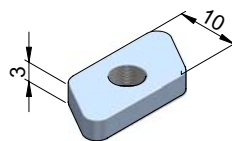
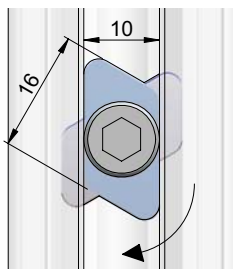
particularly suitable for additions into existing installations

used with 40 series profiles

**M6 spring nut**  
**Part Number: 428.66**

**M8 spring nut**  
**Part Number: 428.88**

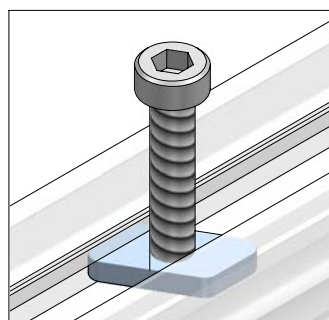
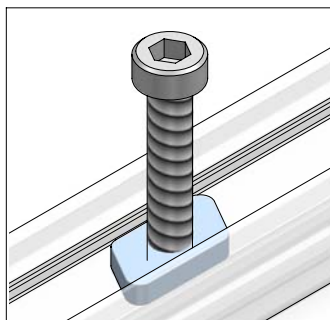
Material: mild steel, z/plated



**M6 slot nut**  
**Part Number: 426.16**

**M5 slot nut**  
**Part Number: 426.15**

Material: mild steel, z/plated



typical application

light duty fastener can be inserted at any point in the profile slot

particularly suitable for additions into existing installations

used with 40 and 30 series profiles