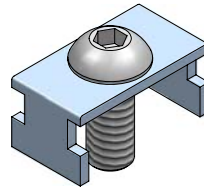
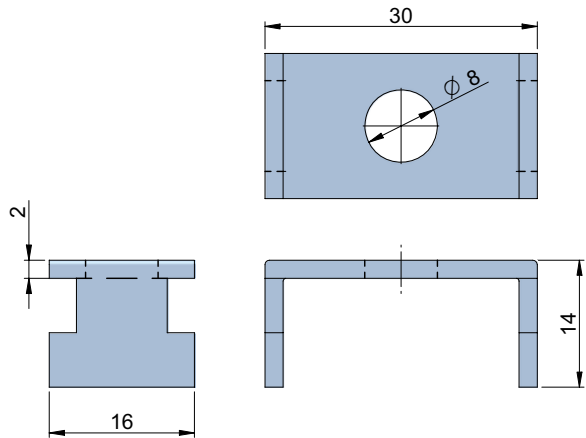
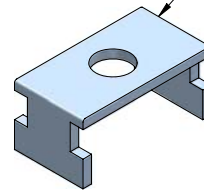
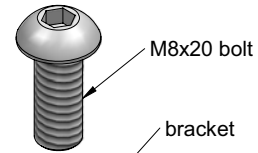


M8-16 bracket connector for 40 series profiles

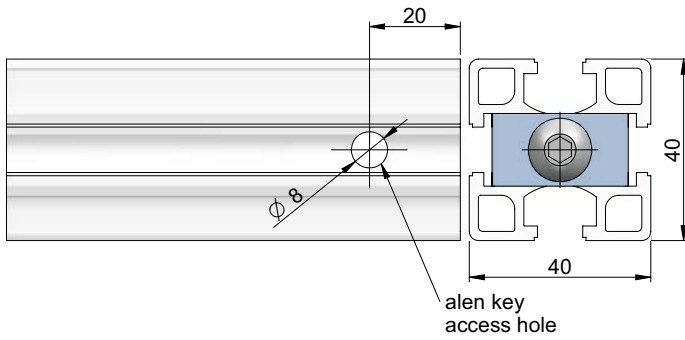


M8-16 bracket connector
Part Number: 026.07

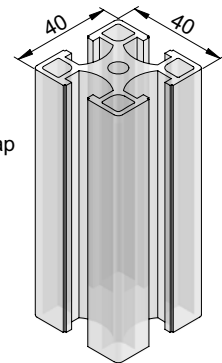
consisting of one M8x20 bolt
and one bracket.



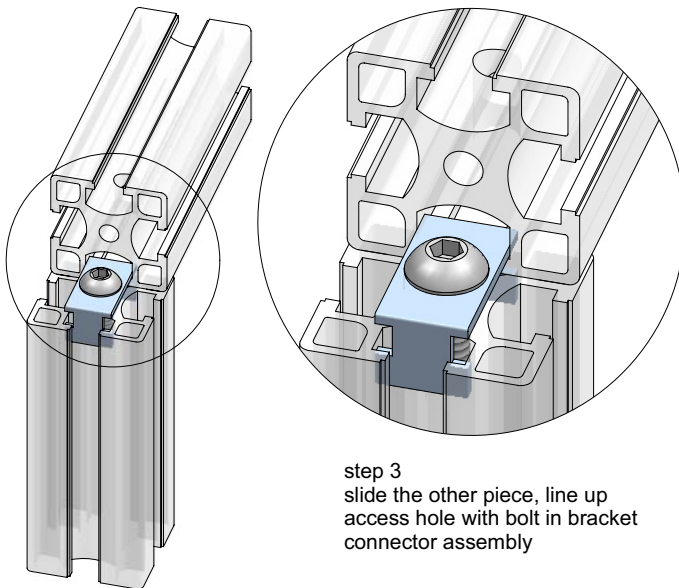
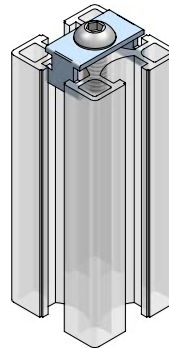
drilling diagram for right
angled connection



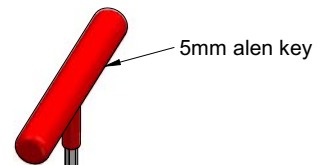
step 1
tap end M8,
20mm deep



step 2
place bracket on top of
profile,
screw partially into
profile, allow 4-5mm gap



step 3
slide the other piece, line up
access hole with bolt in bracket
connector assembly



step 4
align faces, insert allen key
through access hole and
tighten firmly (max 12Nm)

